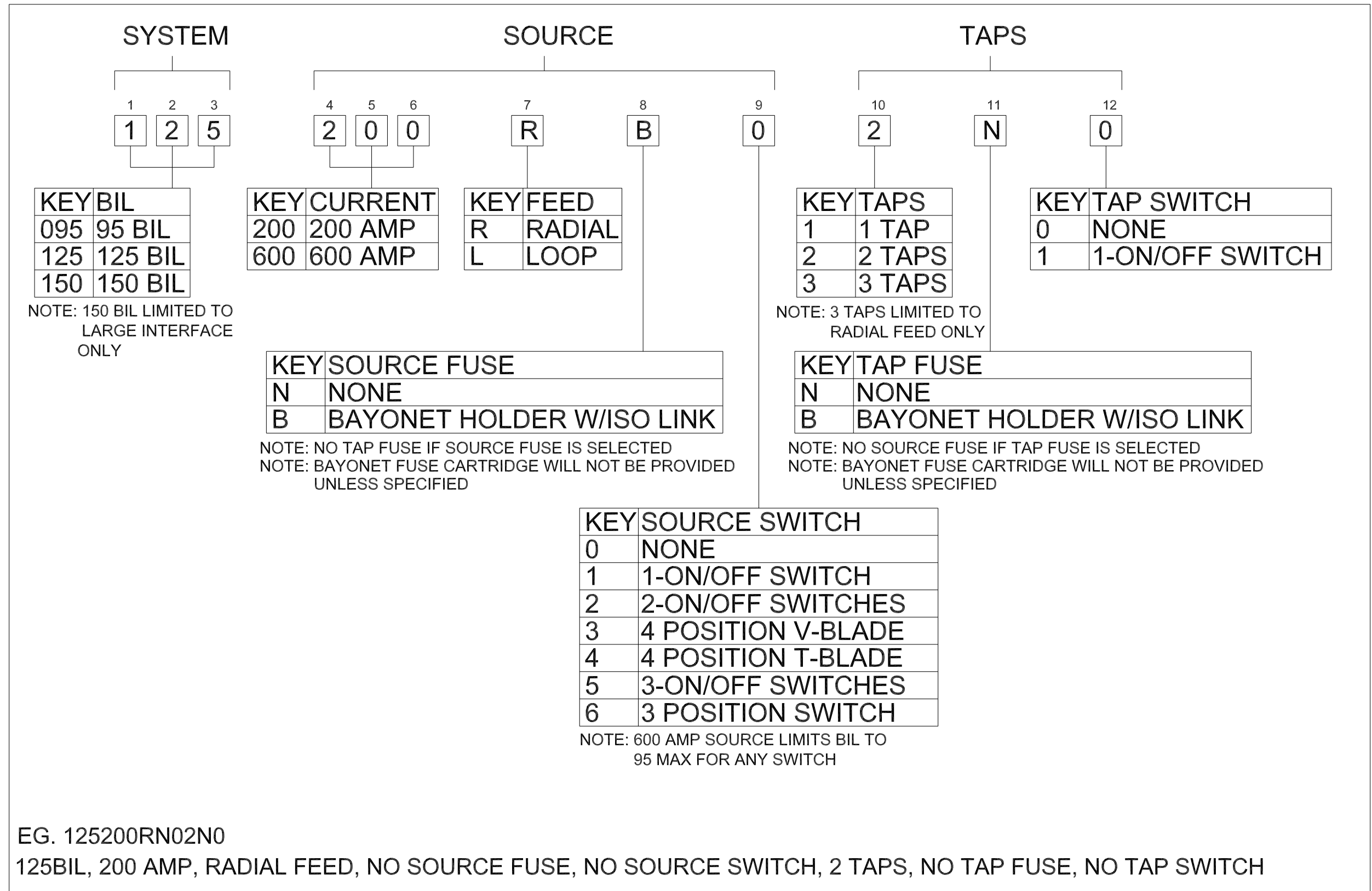
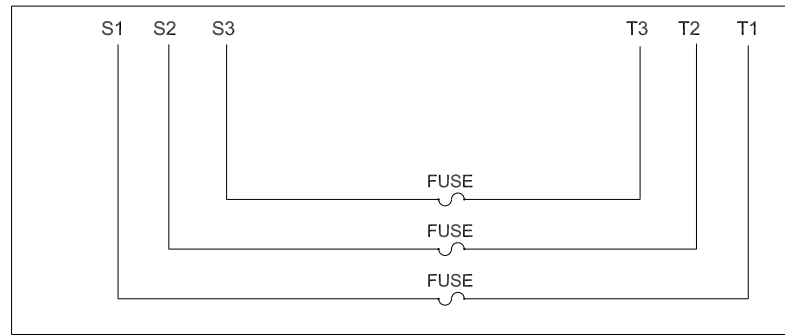


3-PHASE ECO-PAD CONNECTION CHART

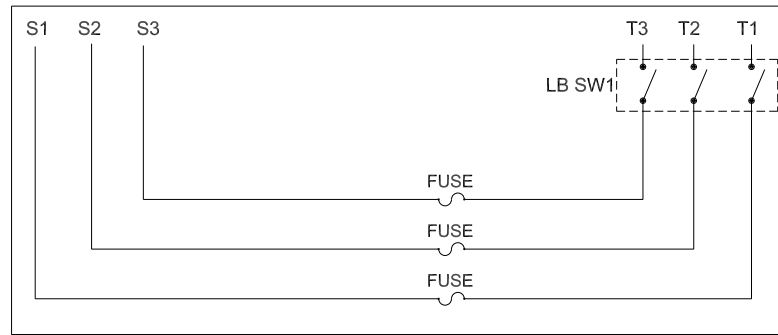


TITLE: 3 PHASE ECO-PAD		
DWN. BY: TMC	DATE: 5/12/06	DRAWING NUMBER
APPD. BY: TMC	DATE: 5/12/06	CONNECTION
REV ISSUE DATE: 9/26/06	SCALE: NTS	

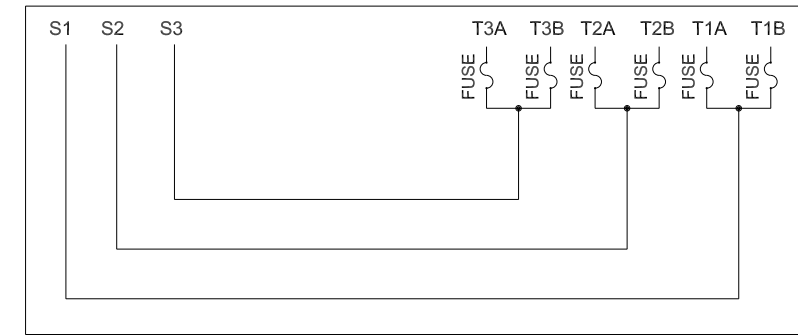
RB01N0



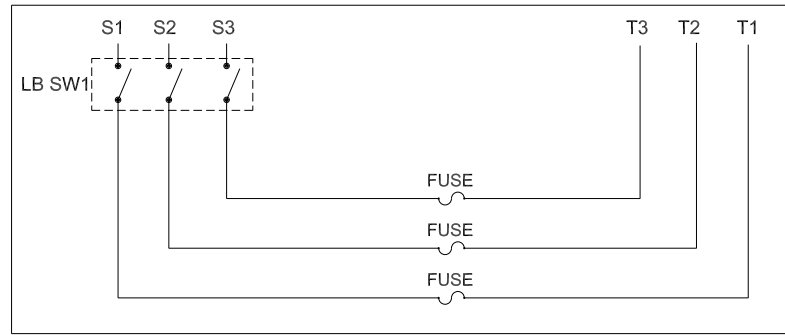
RB01N1



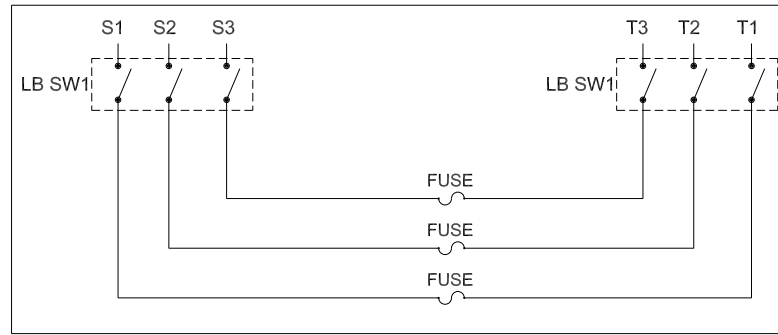
RN02B0



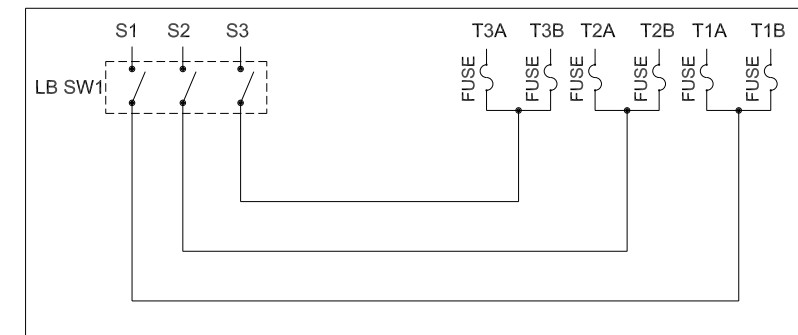
RB11N0



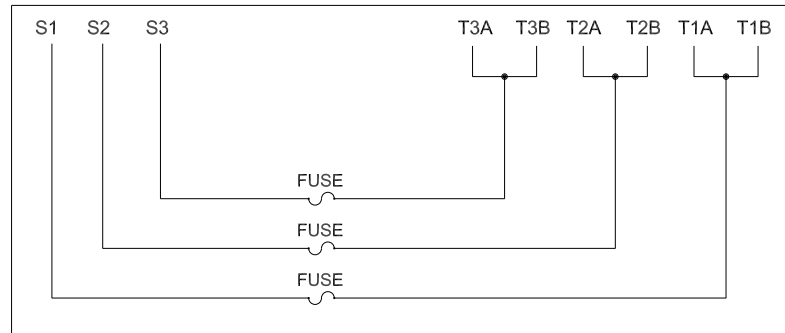
RB11N1



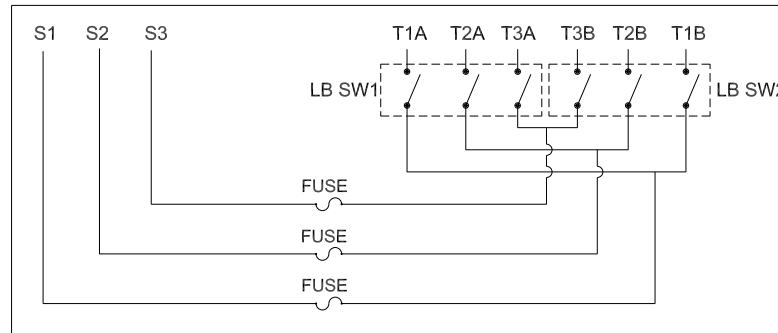
RN12B0



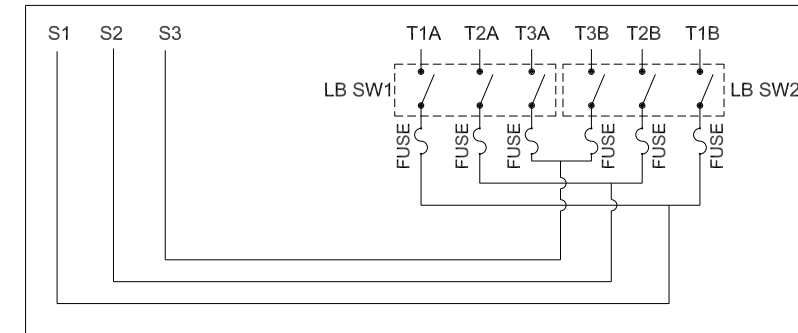
RB02N0



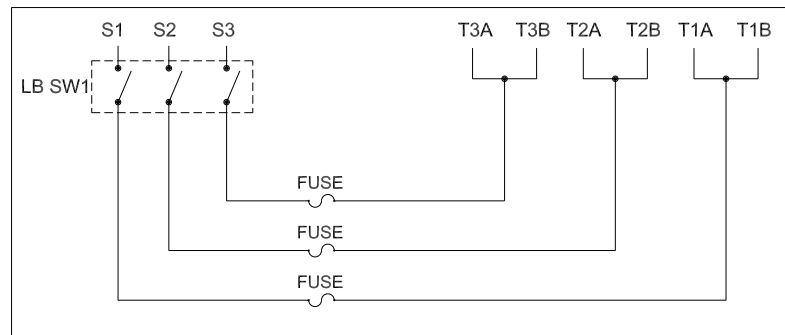
RB02N1



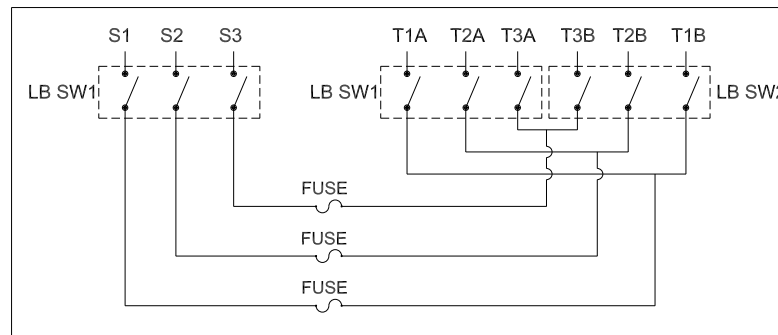
RN02B1



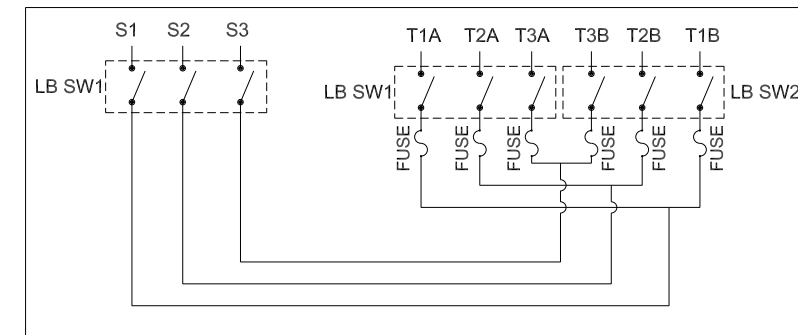
RB12N0



RB12N1



RN12B1

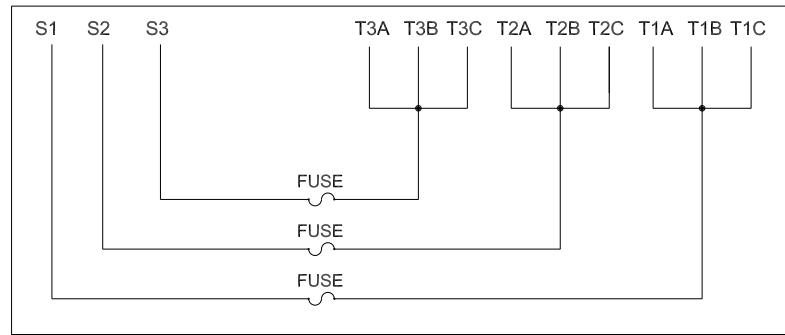


E-PAD ERMCO
 Dyersburg, TN 38025
 Phone # (901)285-9121

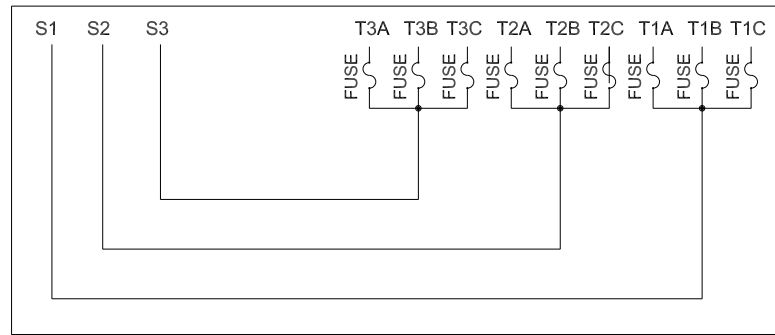
TITLE: **3 PHASE ECO-PAD**

DWN. BY: TMC	DATE: 5/10/06	DRAWING NUMBER
APPD. BY: TMC	DATE: 5/10/06	ECOR-1
REV ISSUE DATE: 9/26/06	SCALE: NTS	

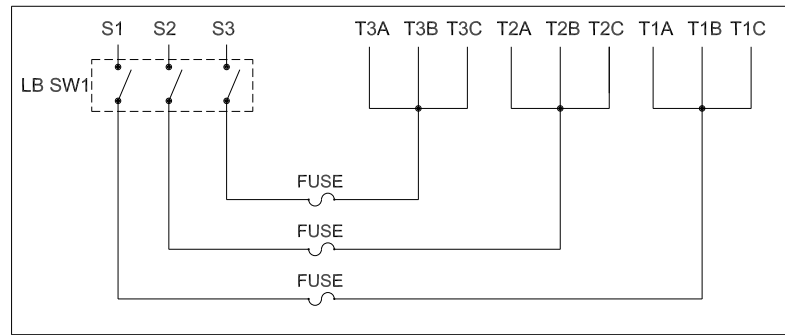
RB03N0



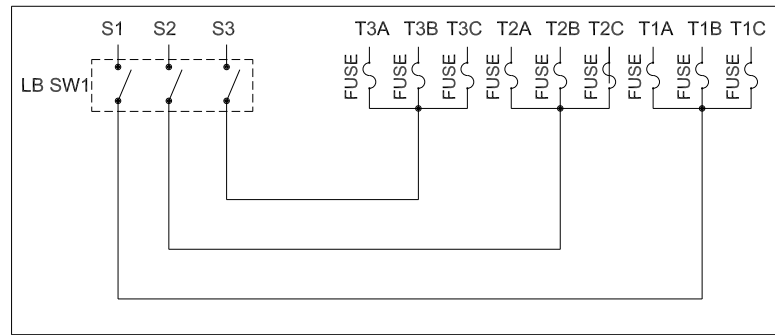
RN03B0



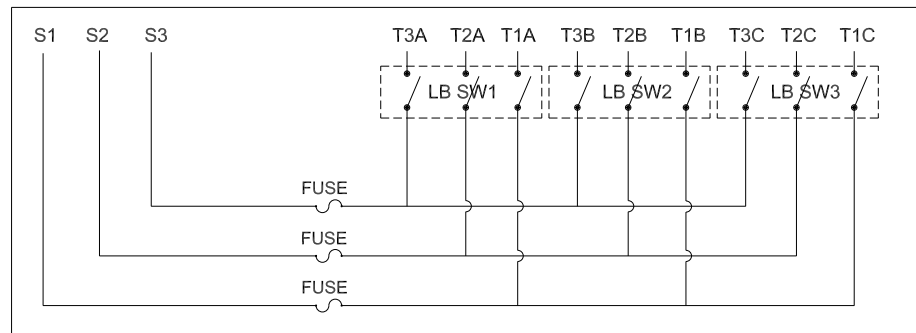
RB13N0



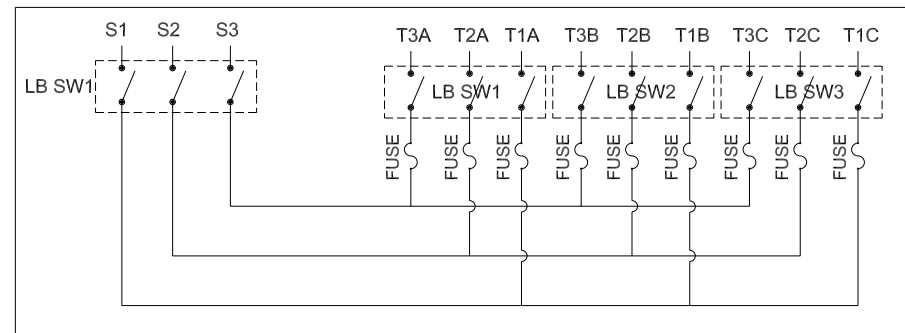
RN13B0



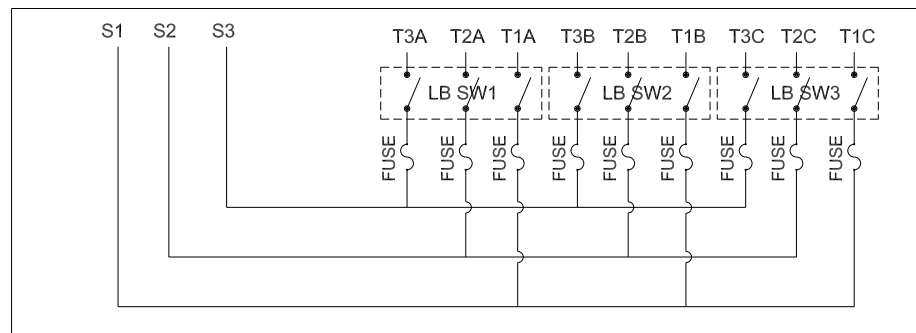
RB03N1



RN13B1



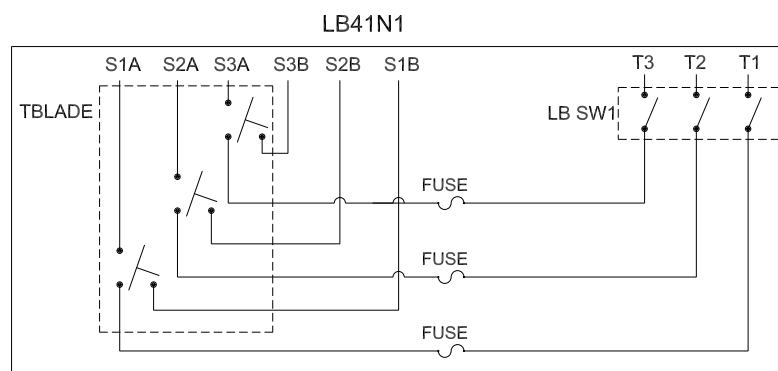
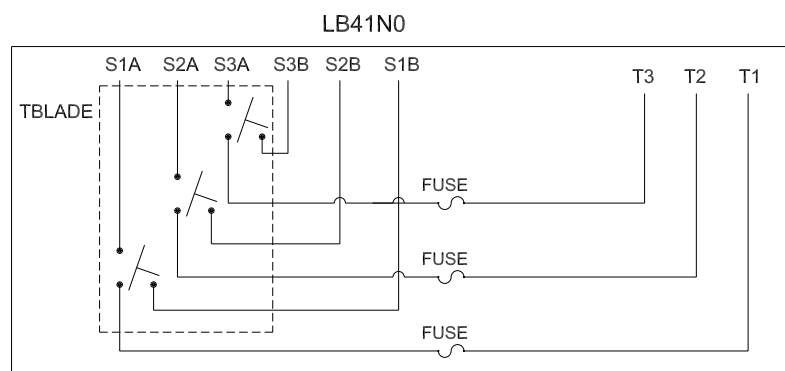
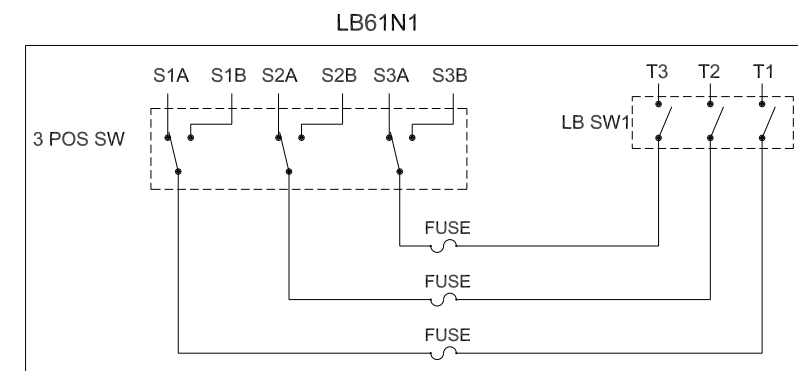
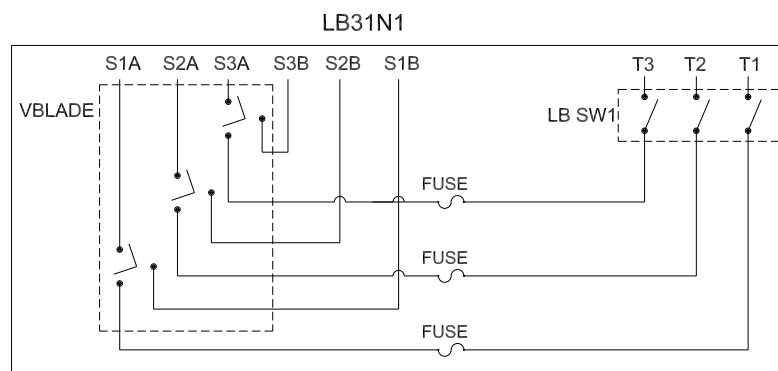
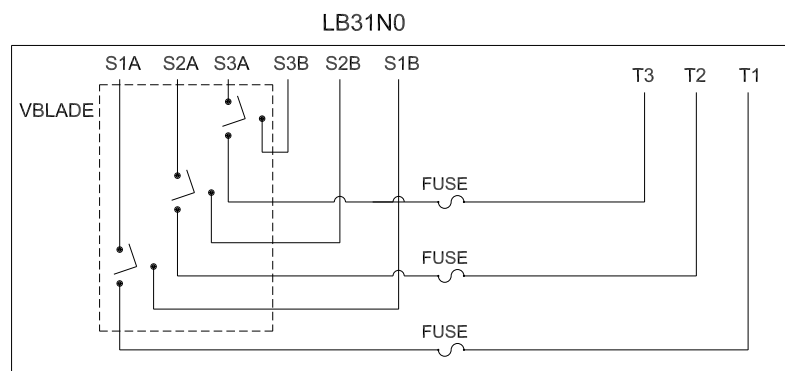
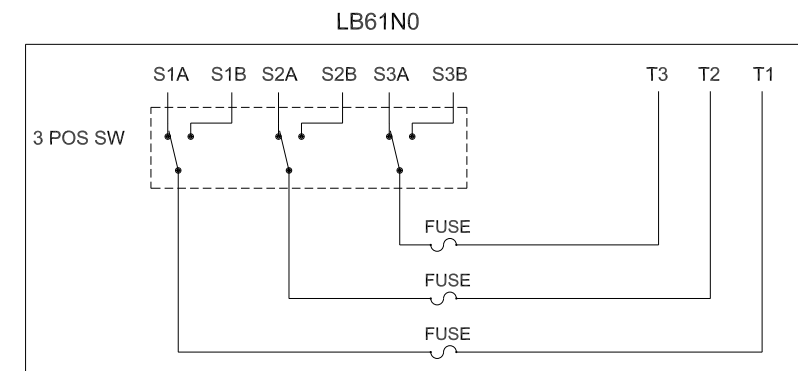
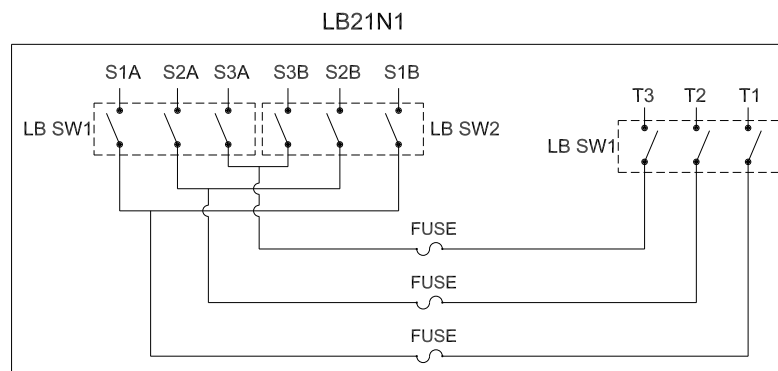
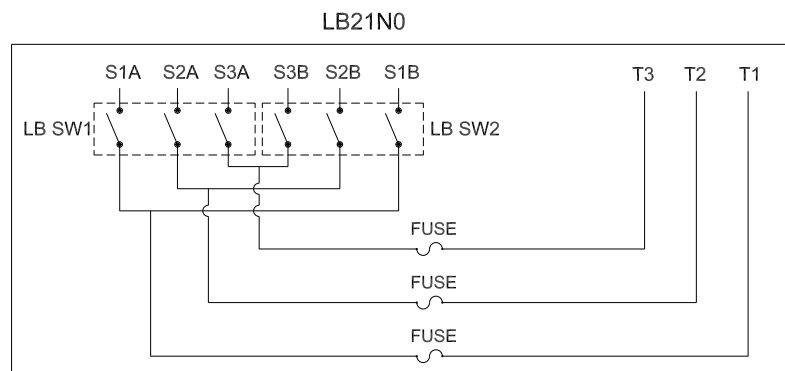
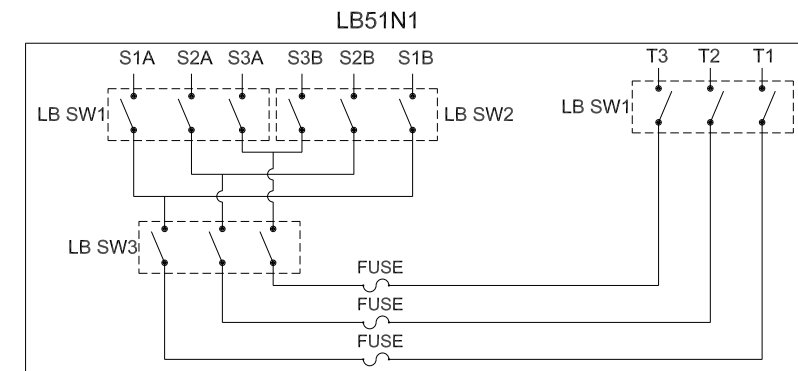
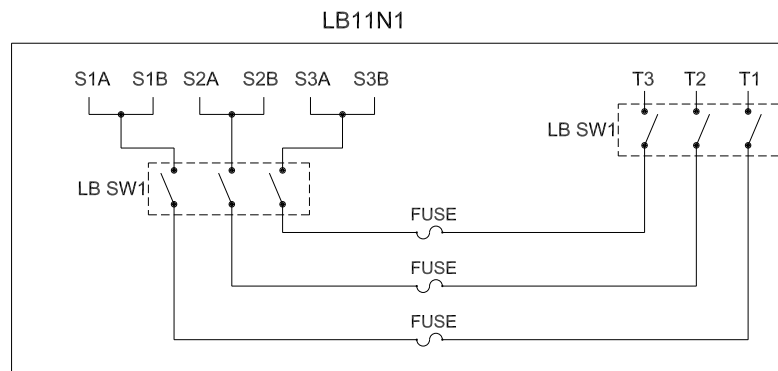
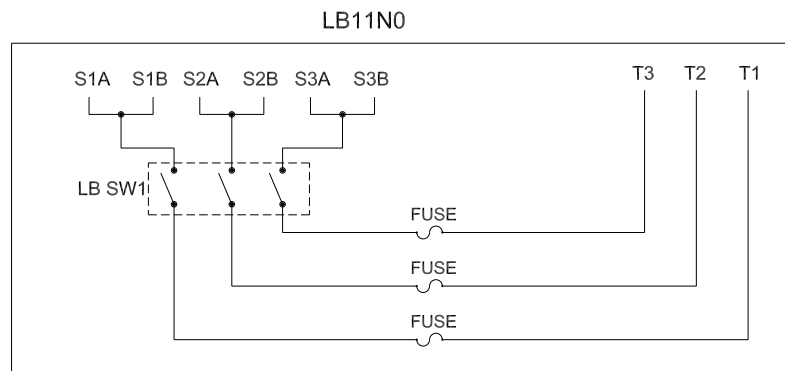
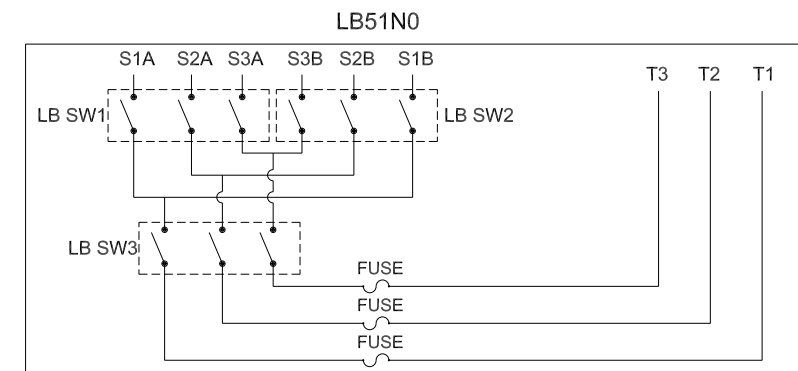
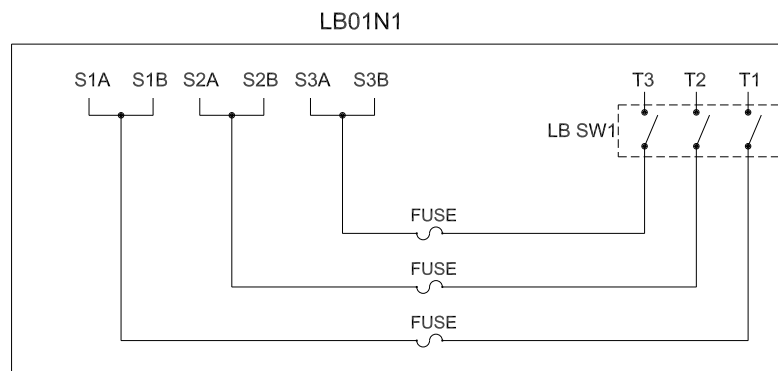
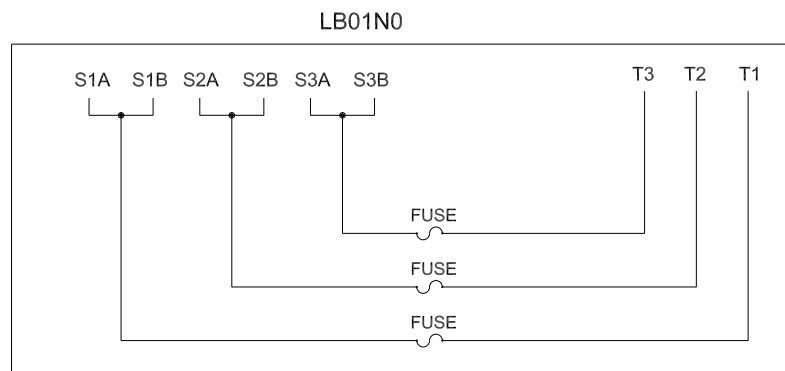
RN03B1



E-PAD ERMCO
 Dyersburg, TN 38025
 Phone # (901)285-9121

TITLE: **3 PHASE ECO-PAD**

DWN. BY: TMC	DATE: 8/6/06	DRAWING NUMBER
APPD. BY: TMC	DATE: 8/6/06	ECOR-2
REV ISSUE DATE: 9/26/06	SCALE: NTS	

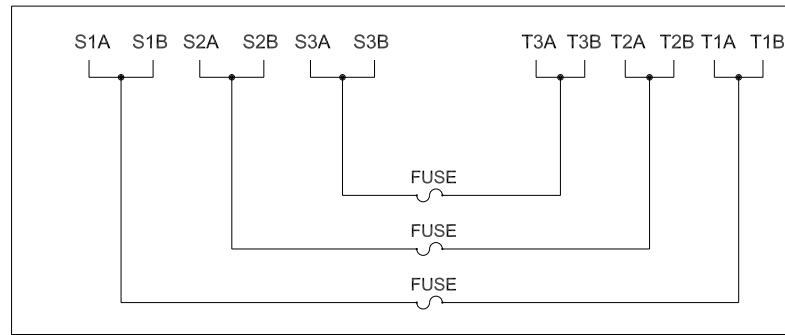


E-PAD ERMCO
 Dyersburg, TN 38025
 Phone # (901)285-9121

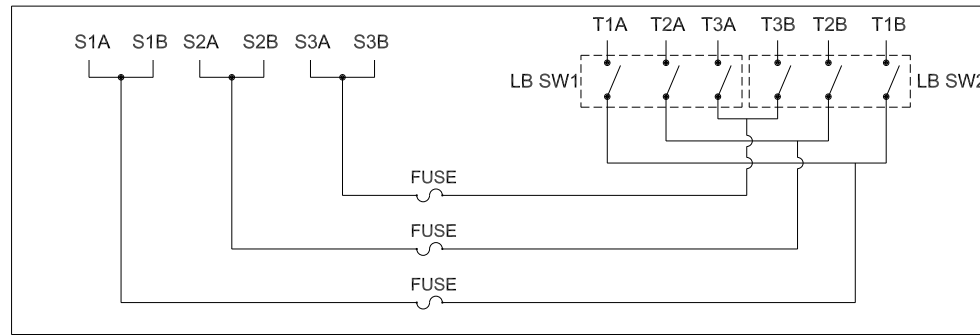
TITLE: **3 PHASE ECO-PAD**

DWN. BY: TMC	DATE: 5/10/06	DRAWING NUMBER
APPD. BY: TMC	DATE: 5/10/06	ECOL-1
REV ISSUE DATE:	SCALE: NTS	

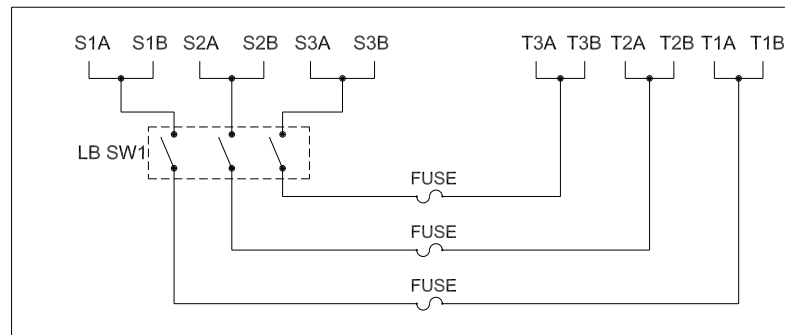
LB02N0



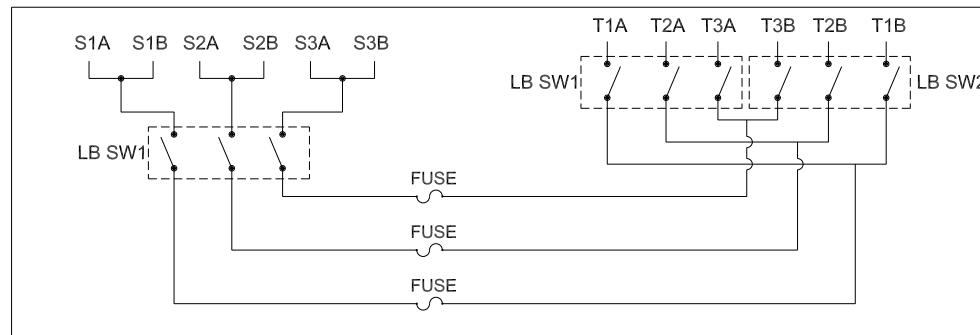
LB02N1



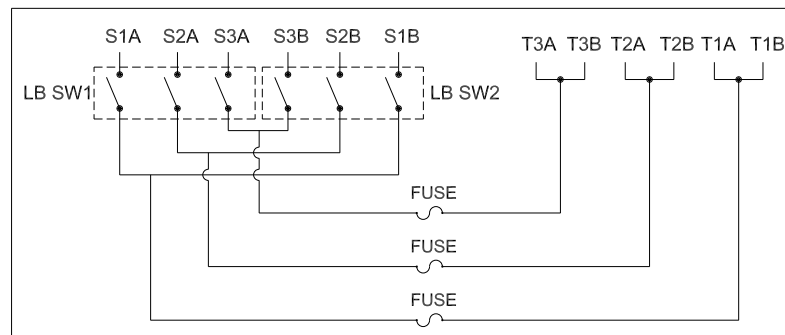
LB12N0



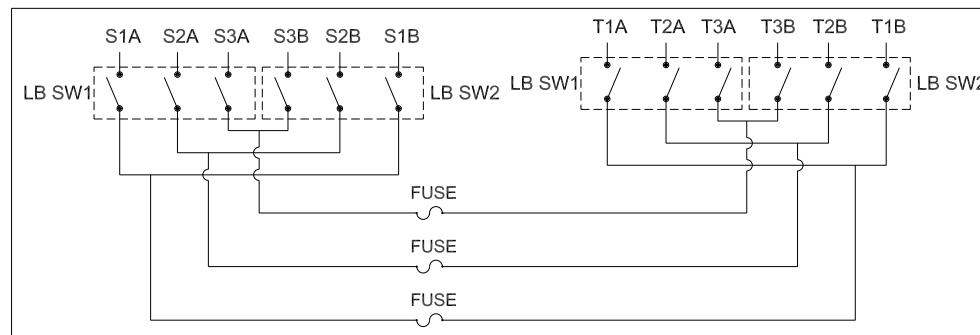
LB12N1



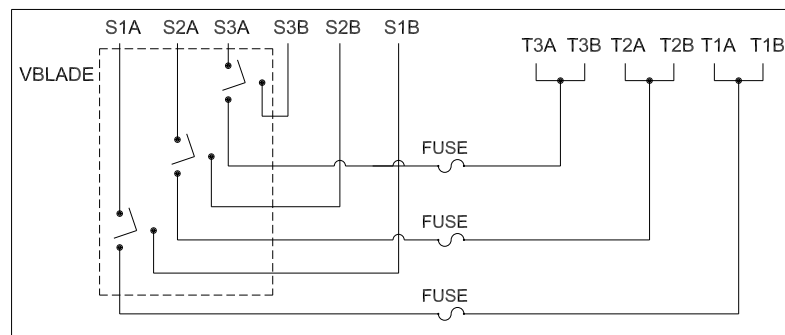
LB22N0



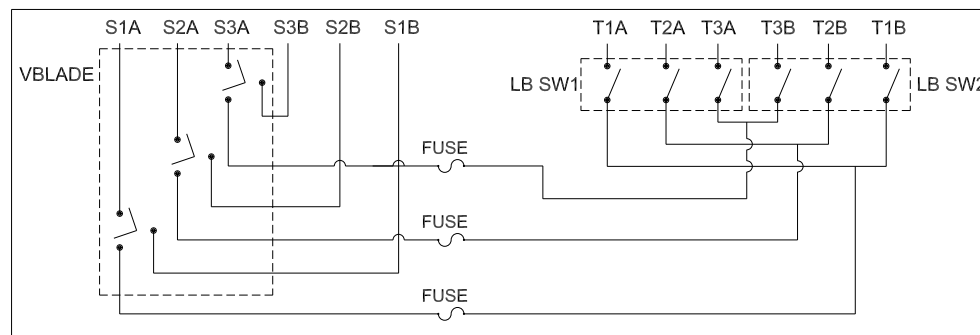
LB22N1



LB32N0



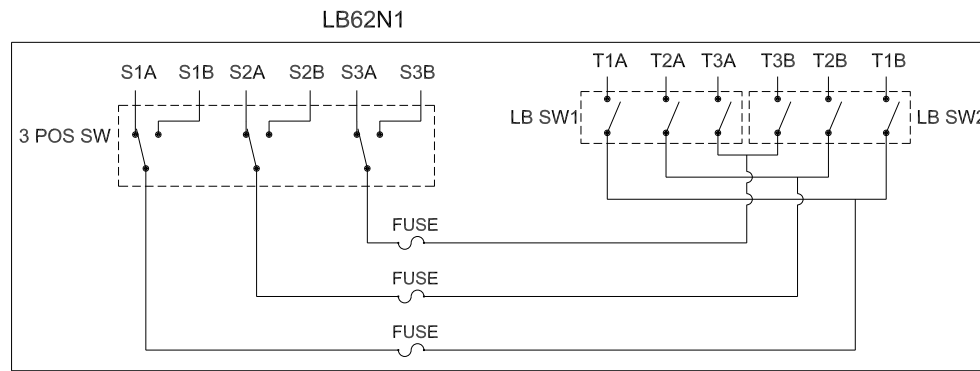
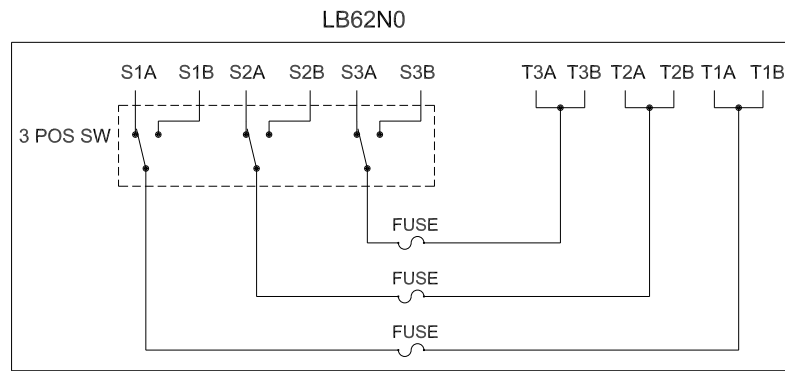
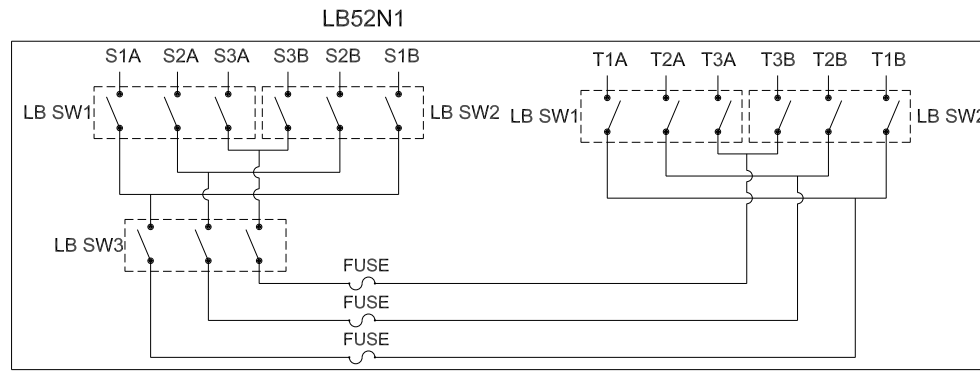
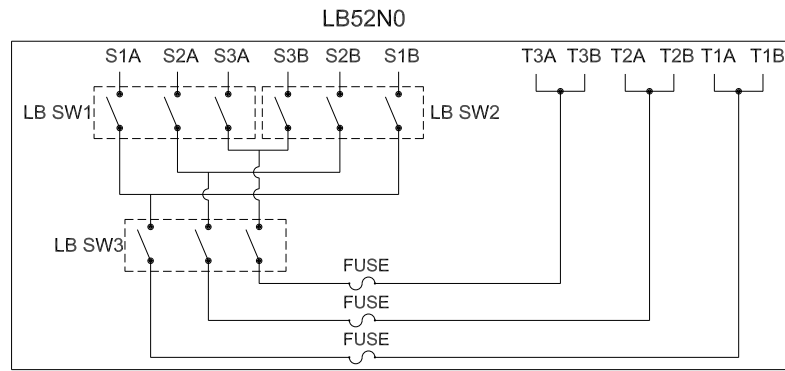
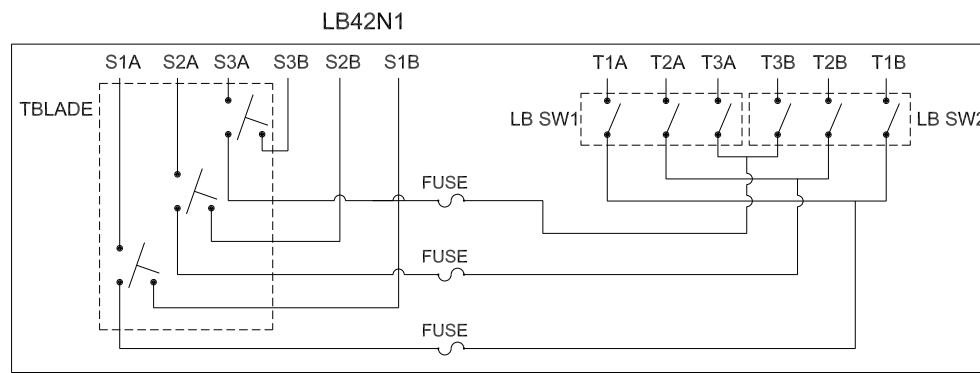
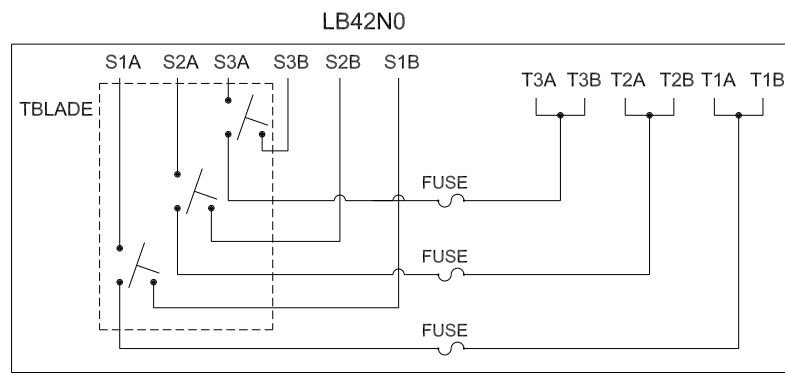
LB32N1



E-PAD ERMCO
 Dyersburg, TN 38025
 Phone # (901)285-9121

TITLE: **3 PHASE ECO-PAD**

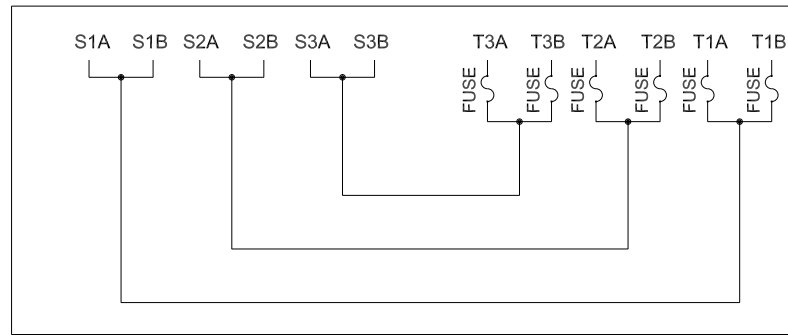
DWN. BY: TMC	DATE: 5/10/06	DRAWING NUMBER
APPD. BY: TMC	DATE: 5/10/06	ECOL-2
REV ISSUE DATE: 9/26/06	SCALE: NTS	



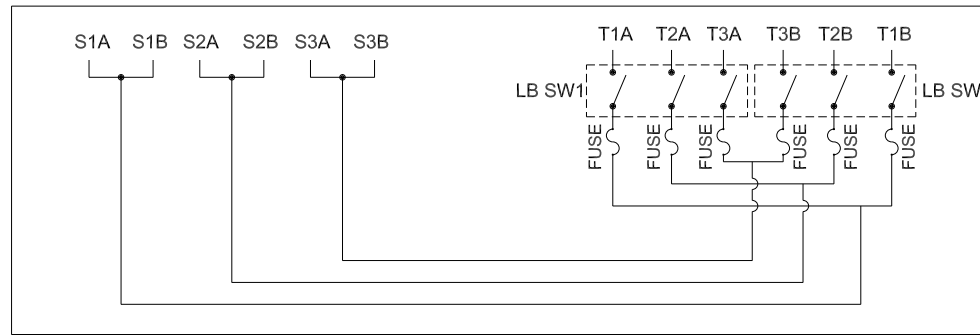
E-PAD ERMCO
 Dyersburg, TN 38025
 Phone # (901)285-9121

TITLE: 3 PHASE ECO-PAD		
DWN. BY: TMC	DATE: 5/10/06	DRAWING NUMBER
APPD. BY: TMC	DATE: 5/10/06	ECOL-3
REV ISSUE DATE: 9/26/06	SCALE: NTS	

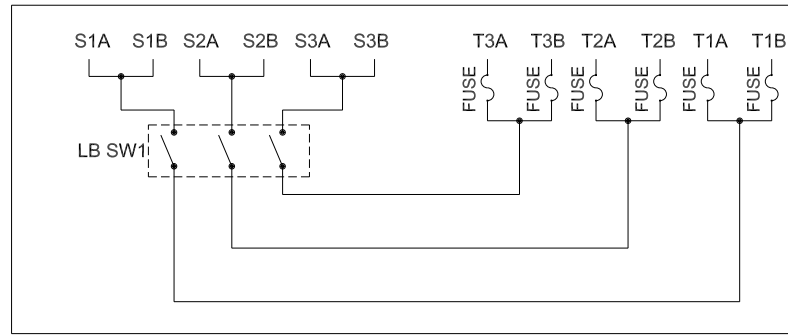
LN02B0



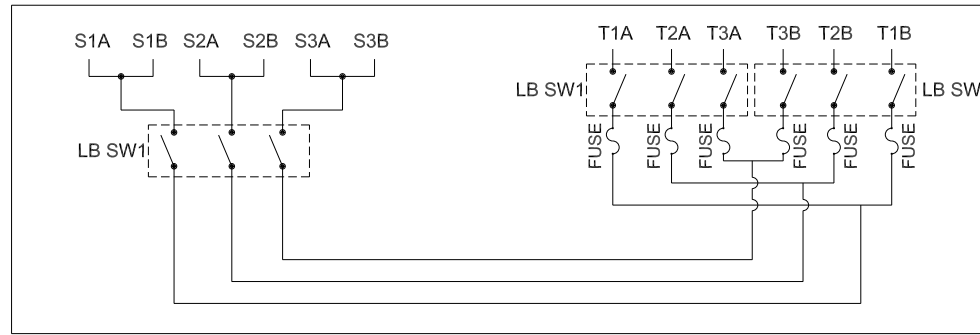
LN02B1



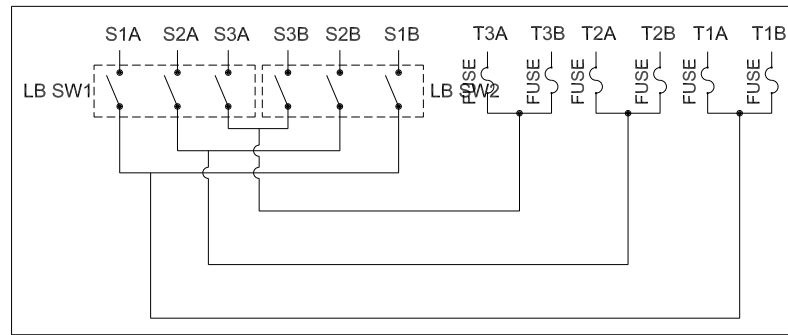
LN12B0



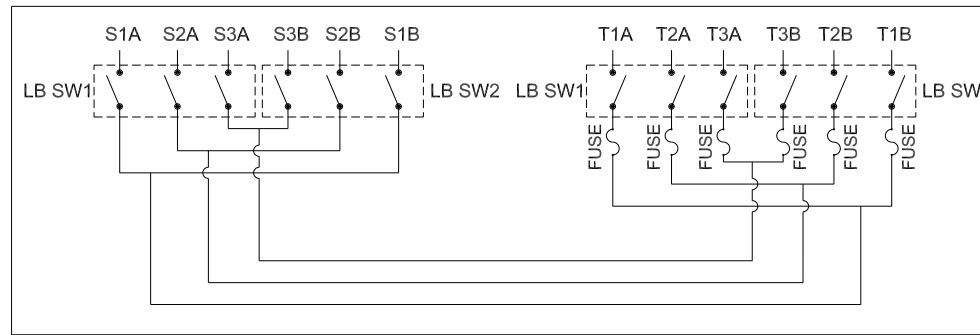
LN12B1



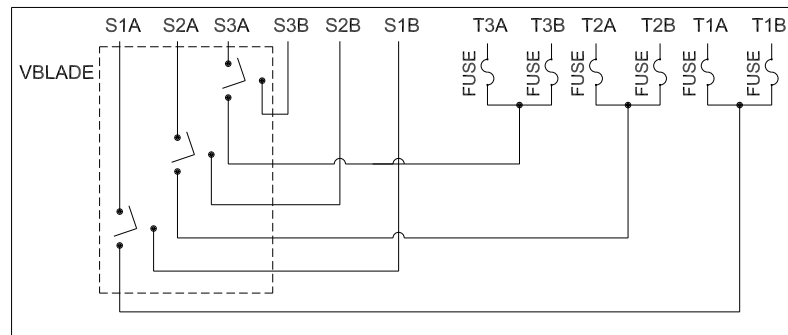
LN22B0



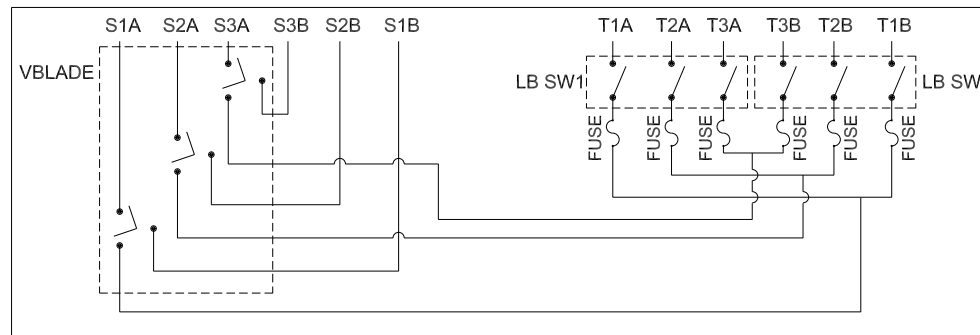
LN22B1



LN32B0



LN32B1

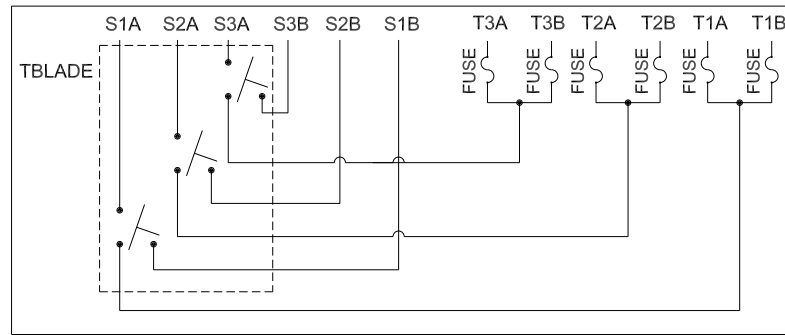


E-PAD ERMCO
 Dyersburg, TN 38025
 Phone # (901)285-9121

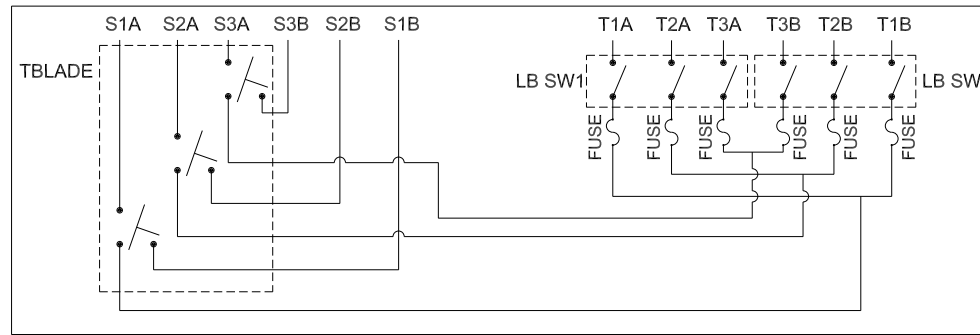
TITLE: **3 PHASE ECO-PAD**

DWN. BY: TMC	DATE: 5/10/06	DRAWING NUMBER
APPD. BY: TMC	DATE: 5/10/06	ECOL-4
REV ISSUE DATE: 9/26/06	SCALE: NTS	

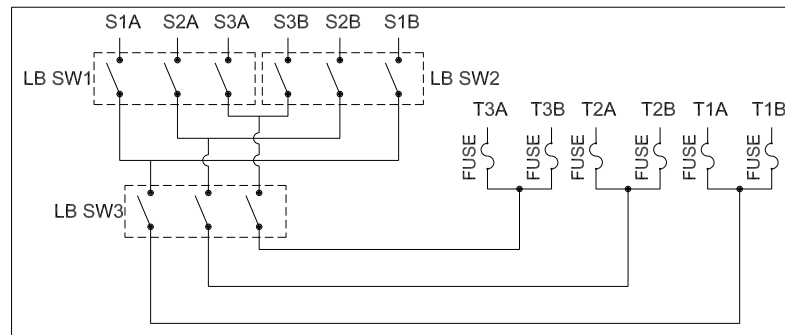
LN42B0



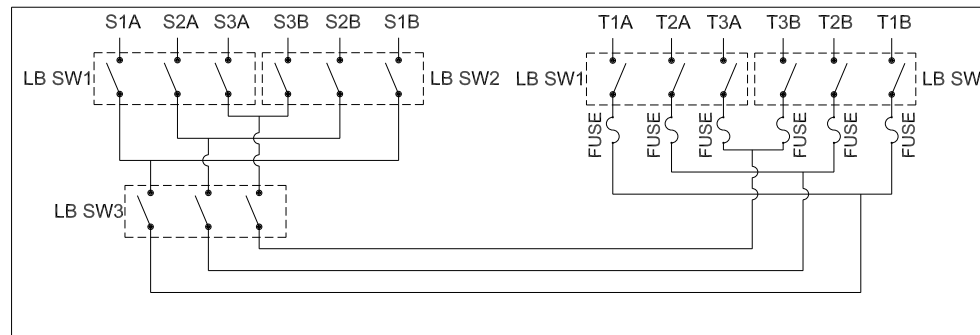
LN42B1



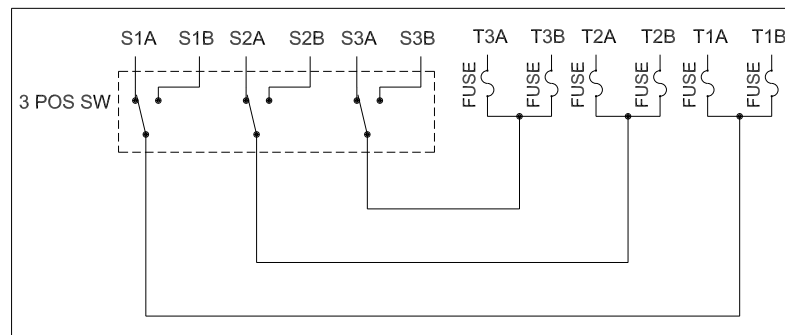
LN52B0



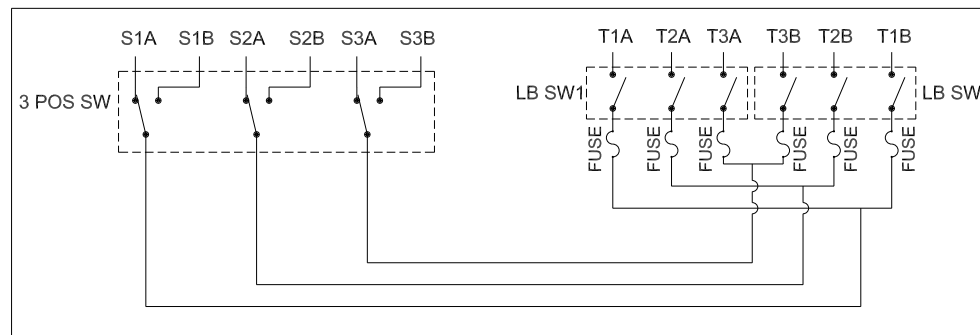
LN52B1



LN62B0



LN62B1



E-PAD ERMCO
 Dyersburg, TN 38025
 Phone # (901)285-9121

TITLE: 3 PHASE ECO-PAD

DWN. BY: TMC	DATE: 5/10/06	DRAWING NUMBER
APPD. BY: TMC	DATE: 5/10/06	ECOL-5
REV ISSUE DATE: 9/26/06	SCALE: NTS	