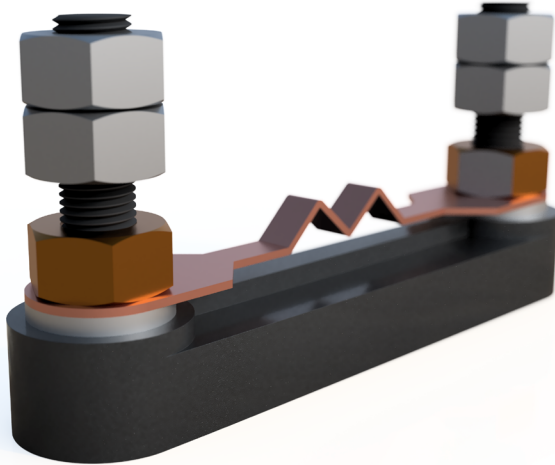


Isolation Link



ERMCO Components
 1607 Industrial Road
 Greeneville, TN 37745
 Phone: (423) 638-2302
 Toll Free: (877) 267-1855
 Fax (423) 636-6492



General Information

The Isolation Link is used in series with Bay-O-Net type expulsion fuses to provide extra protection during re-fusing operations.

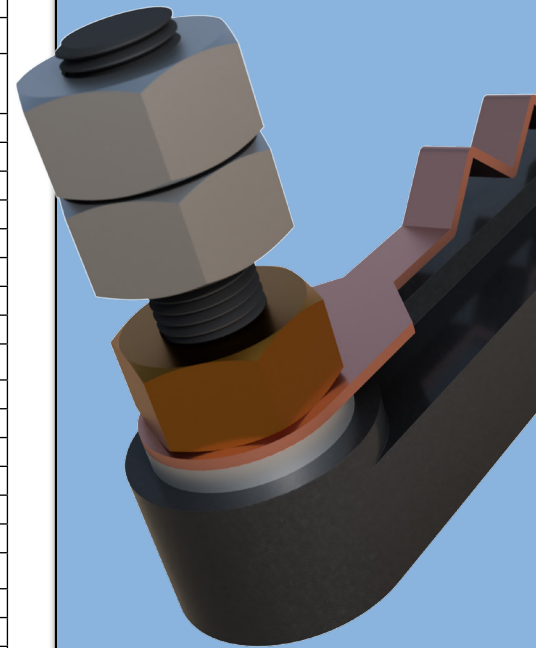
They are coordinated to operate at currents that exceed the one-shot rating of the expulsion fuse used in pad or vault type transformers. The isolation link will melt during transformer failure, so the opened primary circuit of a failed transformer cannot be re-energized by the line crew.

BEYOND THE STANDARD

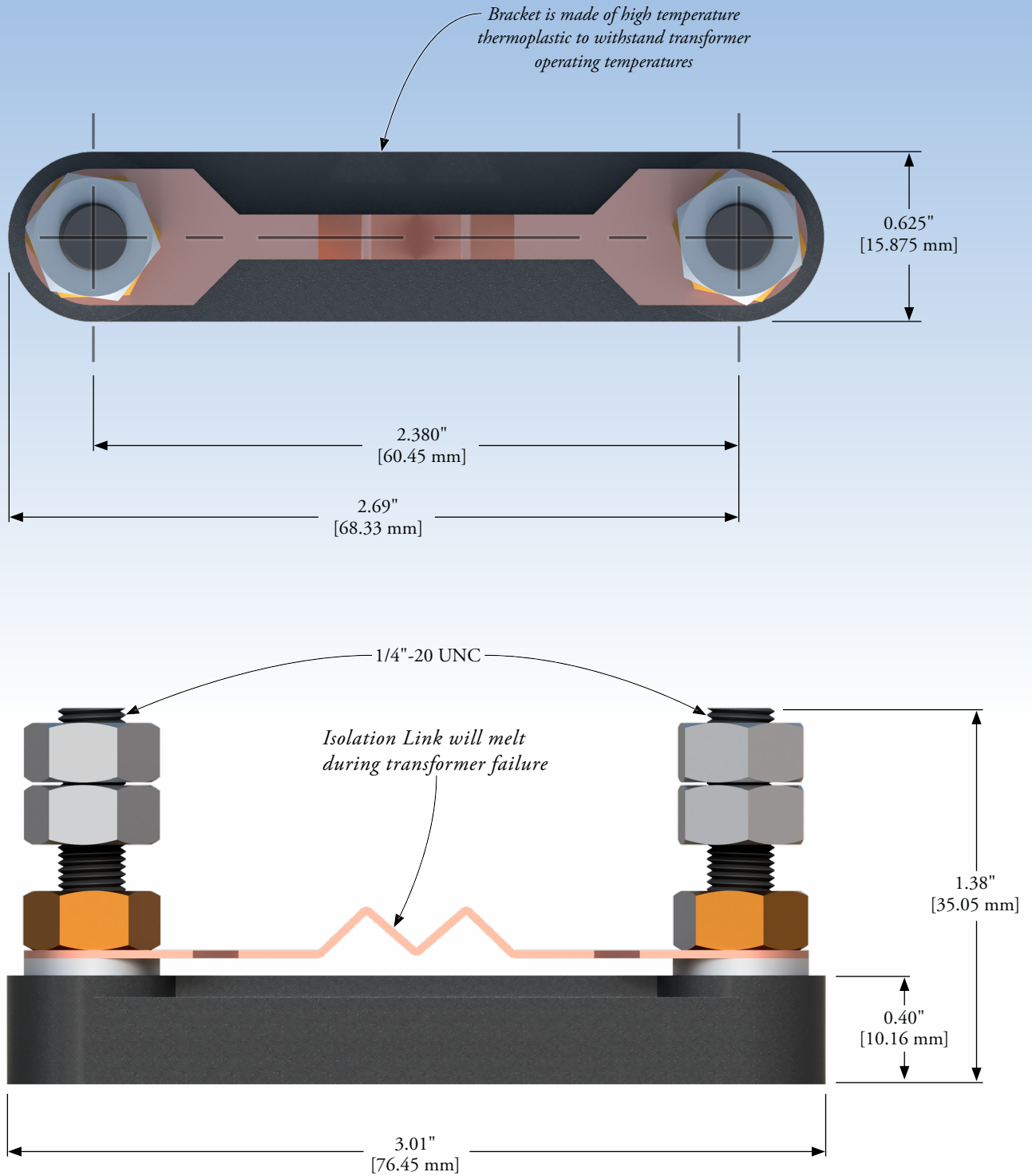
Ordering Information

Use the chart below to cross-reference the Isolation Link required for the fuse element.

Fuse Combination		
Fault Sensing Fuse Link		
ECI Fuse Link Catalog Number	ECI Isolation Link Catalog Number	Curve Number GES 8900
9F54MFC040	7580ZB0299	A1
9F54MFC060	7580ZB0399	A2
9F54MFC080	7580ZB0399	A2
9F54MFC100	7580ZB0499	A3
9F54MFC120	7580ZB0499	A3
9F54MFC140	7580ZB0499	A3
9F54MFC160	7580ZB0599	A5
9F54MFC170	7580ZB0599	A5
Load Sensing Fuse Link		
9F54LFC030	7580ZB0299	A1
9F54LFC050	7580ZB0399	A2
9F54LFC080	7580ZB0499	A3
9F54LFC100	7580ZB0599	A5
9F54LFC120	7580ZB0699	A6
N/A	7580ZB0799	A7
Dual Element Fuses		
9F54DFC030	7580ZB0299	A1
9F54DFC040	7580ZB0299	A1
9F54DFC050	7580ZB0399	A2
9F54DFC060	7580ZB0399	A2
9F54DFC070	7580ZB0399	A2
9F54DFC090	7580ZB0499	A3
9F54DFC110	7580ZB0499	A3
9F54DFC120	7580ZB0499	A3
9F54DFC140	7580ZB0599	A5



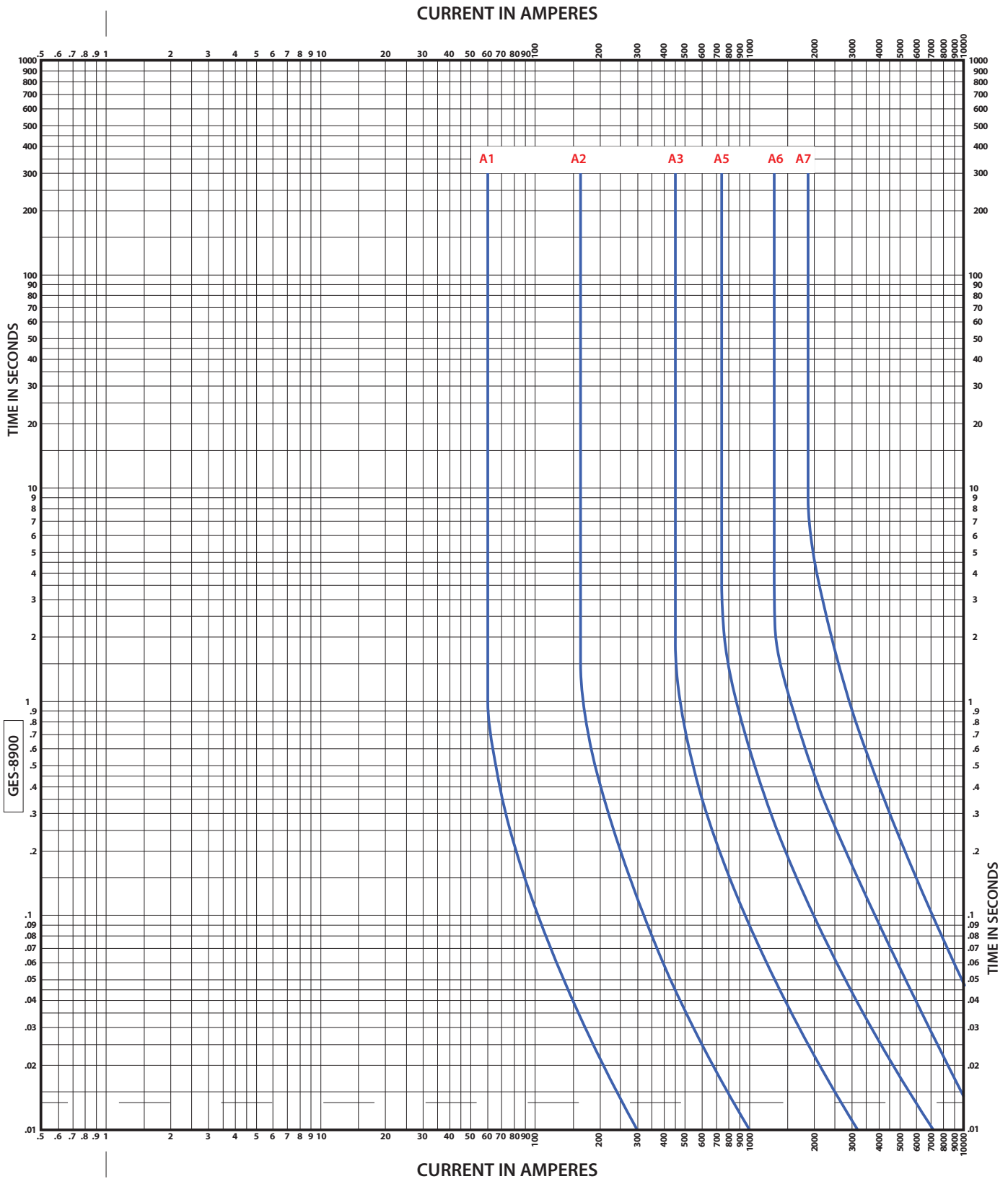
For more information about Isolation Links, contact your Ermco Components representative or call (877) 267-1855



Installation

No special tools are required. Isolation links are bolted onto the Bay-O-Net fuse assemblies in series between the primary transformer bushing and primary coil.

Isolation Fuse Link (Minimum Melting Time Current Curves)



ISOLATION FUSE LINK
2561K011 G01 TO G07 INCLUDED
 Minimum-melting Time-current Curves

GES-8900

Current Ratings
 Limits as Indicated

(TESTS MADE AT 60 HZ AND LOW VOLTAGE, AC, STARTING AT 25 C
 AMBIENT IN TRANSFORMER OIL WITH NO INITIAL LOAD)