

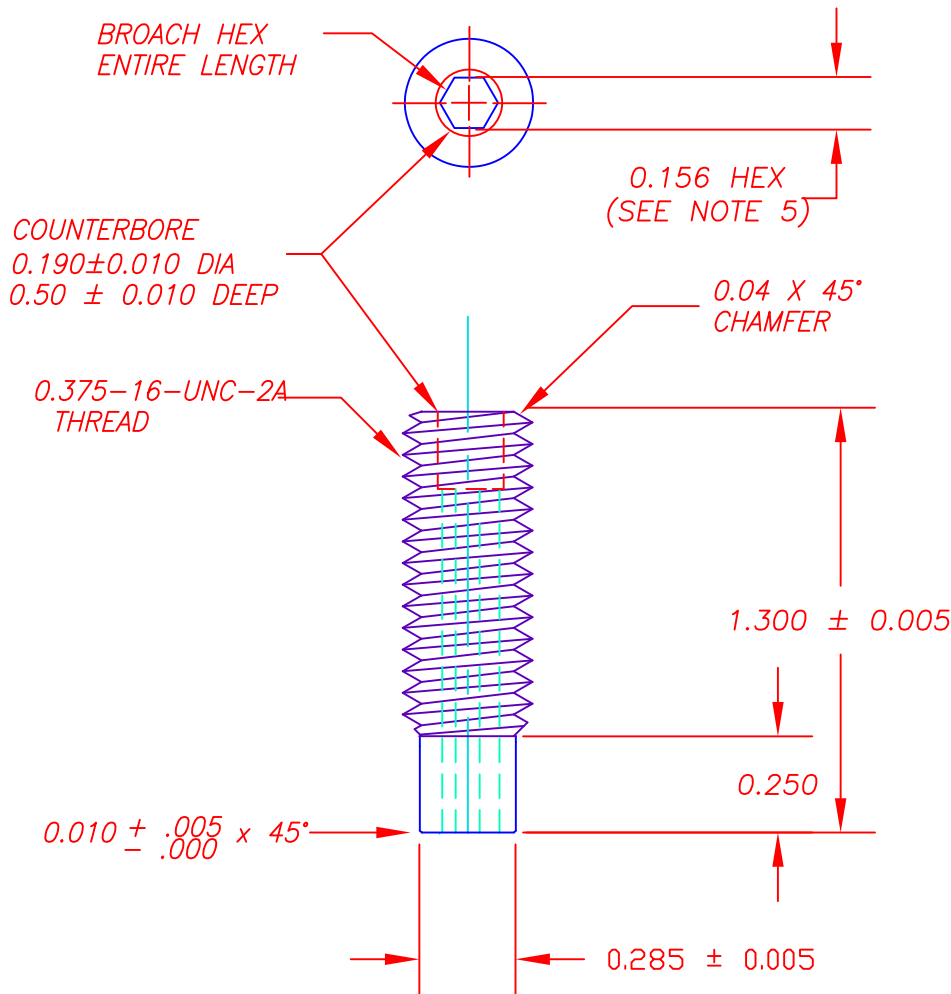
**BUSHING STUD INSERT**

UNLESS OTHERWISE SPECIFIED, TOLERANCES ARE

SURFACES ✓	2 PL DEC ± 0.01	3 PL DEC ± 0.005	ANGLES ± 5 DEG
---------------	--------------------	---------------------	-------------------

FIRST MADE FOR 9U03 HIGH VOLT BUSHING WELL

REVISIONS



**P10** CATALOG NUMBER: 9U09AAW271

NOTES:

- MAT'L: COLD DRAWN STAINLESS STEEL B7A13B11  
FINISH: F70F10F3
- PART MUST BE CLEAN AND FREE OF MFG. OIL, BURRS, AND SHARP EDGES.
- STUD MUST WITHSTAND A MINIMUM OF 20 FT. - LB. TORQUE BEFORE FAILURE. TEST (5) SAMPLES PER LOT, WITH A MINIMUM OF (5) SAMPLES TESTED PER 2000 PRODUCED. TEST PER 32A033005 SH.7 FIG. 02.
- VENDOR MUST PROVIDE PHYSICAL AND CHEMICAL CERTIFICATION WITH EACH STUD SHIPMENT (REFERENCED TO A GIVEN MILL RUN OF RAW MATERIAL).
- THE BROACHED HEX SIZE IS 0.1565" TO 0.1570" TO ALLOW FOR A 5/32" (0.156") HEX WRENCH (TOL. 0.1547" TO 0.1562") TO BE INSERTED THROUGH THE ENTIRE LENGTH OF THE PART. THE NORMAL DRILL HOLE DIA. IS 0.156 ± 0.001".

ADDED CATALOG NUMBER	ADD NOTE 5 ECN B1004
STULPIN 13-JAN-00	N. Adams 8/3/16
3	4
CHG .180 TO .50CHG NOT 3 TO 20FT-LB CHG ROUT; ECN#R148	UPDATED TEMPLATE
STULPIN 21-JAN-98	S. STULPIN 04-FEB-99
1	2
ECI-BTL	
PRINTS TO	

MADE BY: G.S. BRYANT JAN. 15, 1996

APPROVALS

ECI

3 2A033005

ISSUED BY: Nicholas Adams 8/3/2016

CONT ON SH

SH 1