

OUTLINE (OPERATING ARM)

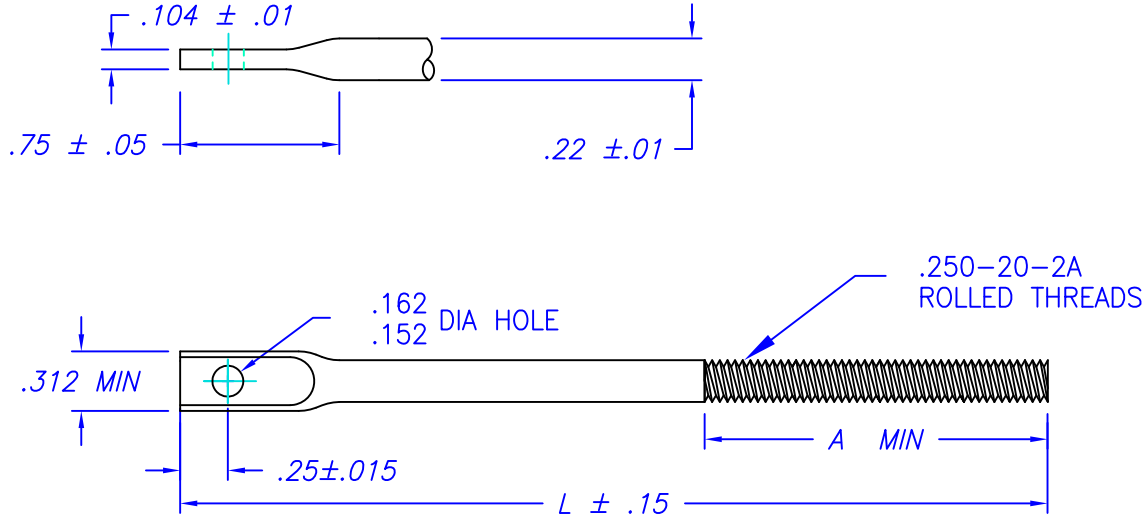
UNLESS OTHERWISE SPECIFIED, TOLERANCES ARE

SURFACES ✓	2 PL DEC ± 0.01	3 PL DEC ± 0.005	ANGLES ± 5 DEG
---------------	--------------------	---------------------	-------------------

FIRST MADE FOR

OPERATING ARM (T1& T12 BKRS)

REVISIONS



OPERATING ARM

F01

UPDATED TEMPLATE
ADDED ZH6099 ECN F489
Added 4999, 5199, 5399
5599, 5799, 5999, 6199
ECN B527

S. STULPIN
29-MAR-99
N. Adams
2/04/10

3 4

CHG DIM fr .219+- .002 to .22+- .01
ADD TOL TO .25 & L. CHG TOL TO
A - WAS +.12-.00. CHG DWG#-WAS
32A692008. ADD ROUT. ECN# F172
Correction
Added Cat #'s Deleted inadvertently

S. STULPIN
06-MAY-97
K. Carroll
22-June-98

1 2

ERMCO-BTL

PRINTS
TO

Catalog Number	"L" (inches)	"A" (inches)
7572ZH5399	4.00	3.00
7572ZH6099	4.74	3.00
7572ZH4299	5.50	3.00
7572ZH4399	6.50	3.00
7572ZH4799	7.50	3.00
7572ZH5199	8.50	3.00
7572ZH4499	9.00	3.00
7572ZH5799	9.50	3.00
7572ZH4699	10.50	3.00
7572ZH4899	12.00	3.00
7572ZH1299	12.00	6.00
7572ZH6199	12.25	3.00
7572ZH4999	13.00	3.00
7572ZH5099	13.50	3.00

Catalog Number	"L" (inches)	"A" (inches)
7572ZH5299	15.00	3.00
7572ZH5499	16.50	3.00
7572ZH5699	18.00	3.00
7572ZH5899	19.50	3.00
7572ZH8399	19.50	13.00
7572ZH5599	21.50	3.00
7572ZH5999	23.50	3.00

MADE BY: B.BRITAIN 5/24/95
ISSUED BY: Nicholas Adams 2/5/10

APPROVALS

ECI

3 2A128001

CONT ON SH

SH 1