



32B928010
SH 1
CONT ON SH 2
TITLE
OUTLINE (OPERATING DETAIL)
OPERATING DETAIL

UNLESS OTHERWISE SPECIFIED, TOLERANCES ARE
SURFACES 2 PL DEC ANGLES
± 3 PL DEC ANGLES
± DEG

Replaces 32B928005, 32B928006, B251/1106, & 32B928004.
INSTALLATION OF CIRCUIT BREAKERS IN TRANSFORMERS

SCOPE:
THIS INSTRUCTION APPLIES TO THE ASSEMBLY AND
ADJUSTMENT OF CIRCUIT BREAKERS IN TRANSFORMERS
BROKEN IN OIL FILLED TRANSFORMERS.

1. BOLT BREAKER FIRMLY TO ITS SUPPORT.
 2. ASSEMBLE ARM TO CIRCUIT BREAKER.
 3. INSTALL THE OPERATING HANDLE ASSEMBLY IN THE
HANK CASING AND TIGHTEN THE CLAMPING NUT TO
LINDERSABLE.
 4. WITH BREAKER OPEN, AND WITH HANDLE IN CORRECT-
ION BETWEEN ARM AND LINK UNTIL THE HOLE IN
THE ARM MAY BE LINED UP WITH THE HOLE IN
THE OPERATING SHAFT.
 5. TO CONNECT THE ARM TO THE OPERATING SHAFT
AND USE FINGERS TO PREVENT THE COTTER PIN
FROM FALLING OUT, BY MEANS OF THE OPERATING
HANDLE RESET THE BREAKER (CLOSE IT), OBSERVE
RESETTING OF SIGNAL LIGHT SWITCH, (THE BREAKER
MAY BE TRIPPED MANUALLY BY ROTATING THE TRIP
FUNCTIONS OF STEP #5 PERFORM FREELY WITHIN
THE LIMITS OF TRAVEL FOR THE HANDLE.
 6. INSTALL THE COTTER PIN PERMANENTLY.
 7. POSITION CIRCUIT BREAKER CALIBRATION CONTROL
MECHANISM AT THE NORMAL POSITION, POSITION
POSITION THREAD AND LOCK THE COTTER PIN INTO THE
SUPPORT AND LOCK THE CONNECTIONS BY PINCH-
ING THE SUPPORT AROUND THE CABLE.
 8. POSITION THE CIRCUIT BREAKER CALIBRATION
CONTROL MECHANISM IN THE NORMAL POSITION.
POSITION THE CIRCUIT BREAKER CALIBRATION
CONTROL MECHANISM IN THE DOWN POSITION.
POSITION THE CIRCUIT BREAKER CALIBRATION
LEVER AS SHOWN IN SKETCH C.
- ASSEMBLY INCLUDES HANDLE PLUS COMMON PARTS.
ARM MUST BE ORDERED SEPARATELY DEPENDING
ON LENGTH REQUIRED.

WITHOUT EMERGENCY OVERLOAD CONTROL LEVER									
CATALOG NUMBER	FIG NO	SHAFT	"A"	"H"	"F"	"M"	ITEM 4	ITEM 5	
75742M0199	1	BENT	4.25	1.50	27°	---	---	---	---
75742M0399	1	BENT	5.25	1.50	27°	---	---	---	---
75742M0599	1	BENT	6.25	1.50	27°	---	---	---	---
75742M0799	1	BENT	6.50	1.75	27°	---	---	---	---
75742M0999	1	BENT	8.00	1.75	27°	---	---	---	---
75742M1199	2	BENT	5.25	2.00	13°	---	---	---	---
75742M1399	2	BENT	8.25	2.00	13°	---	---	---	---
75742M1599	2	STRNHT	---	---	---	10.14	---	---	---
75742M1799	2	STRNHT	---	---	---	---	---	---	---
75742M1999	9	BENT	6.50	1.75	24.7°	---	---	---	---
75742M2199	3	BENT	6.25	1.50	85°	---	---	---	---
75742M2399	3	BENT	7.25	2.00	85°	---	---	---	---
75742M2599	3	STRNHT	---	---	---	9.14	---	---	---
75742M2799	2	BENT	7.25	2.00	13°	---	---	---	---
75742M2999	1	STRNHT	---	---	---	---	9.14	---	---
75742M3199	9	BENT	6.50	1.75	18.7°	---	---	---	---
75742M3399	1	BENT	6.50	1.25	27°	---	---	---	---
75742M3599	1	BENT	6.75	1.38	0°	---	---	---	---
75742M3799	3	BENT	10.00	1.75	85°	---	---	---	---
75742M3999	2	BENT	3.5	1.75	19.3°	---	---	---	---
75742M4199	8	BENT	3.70	1.75	100°	---	---	---	---
75742M4399	8	BENT	6.35	1.50	100°	---	---	---	---
75742M4599	8	BENT	4.70	1.50	100°	---	---	---	---
75742M4799	8	BENT	5.80	1.75	100°	---	---	---	---
75742M4999	8	BENT	5.80	1.25	100°	---	---	---	---
75742B0199	8	BENT	6.30	1.75	100°	---	---	---	---
75742B0399	8	BENT	7.73	1.50	280°	---	---	---	---
75742B0599	8	BENT	3.70	1.75	280°	---	---	---	---
75742B0799	8	BENT	6.35	1.50	280°	---	---	---	---
75742B0999	8	BENT	4.70	1.50	280°	---	---	---	---
75742B1199	8	BENT	5.90	1.75	280°	---	---	---	---
75742B1399	8	BENT	5.90	1.25	280°	---	---	---	---
75742B1599	8	BENT	5.80	1.75	280°	---	---	---	---
75742B1799	8	BENT	6.30	1.75	280°	---	---	---	---
75742B1999	8	BENT	6.30	1.75	280°	---	---	---	---
75742B2199	7	BENT	4.50	2.00	280°	---	---	---	---
75742B2399	3	BENT	7.75	1.50	85°	---	---	---	---
75742B2599	3	BENT	6.25	1.50	265°	---	---	---	---
75742S0199	10	STRNHT	---	---	---	---	1.58	---	---
75742S0399	11	STRNHT	---	---	---	---	---	1.58	---
75742M7299	3	BENT	18.00	1.75	85°	---	---	---	---
75742M7399	1	BENT	5.25	1.75	27°	---	---	---	---
75742M7599	3	BENT	5.25	1.75	85°	---	---	---	---
75742M7799	1	BENT	6.50	1.75	27°	---	---	---	---
75742M7999	1	BENT	6.50	1.75	27°	---	---	---	---
75742M8199	1	BENT	2.125	1.75	0°	---	---	---	---
75742M8399	1	BENT	3.50	1.50	27°	---	---	---	---
75742M8599	1	BENT	11.82	1.75	60°	---	---	---	---
75742M8799	2	BENT	6.50	1.75	13°	---	---	---	---
75742M8999	2	BENT	6.50	1.75	13°	---	---	---	---
75742M9199	2	BENT	7.00	1.75	13°	---	---	---	---
75742M9399	2	BENT	7.00	1.75	13°	---	---	---	---
75742M9599	2	BENT	7.00	1.75	13°	---	---	---	---
75742M9799	2	BENT	7.00	1.75	13°	---	---	---	---
75742M9999	2	BENT	7.00	1.75	13°	---	---	---	---

WITH EMERGENCY OVERLOAD CONTROL LEVER									
CATALOG NUMBER	FIG NO	SHAFT	"A"	"H"	"F"	"M"	ITEM 4	ITEM 5	
75742M0299	1	BENT	4.25	1.50	27°	---	---	---	---
75742M0499	1	BENT	5.25	1.50	27°	---	---	---	---
75742M0699	1	BENT	6.25	1.50	27°	---	---	---	---
75742M0899	1	BENT	6.50	1.75	27°	---	---	---	---
75742M1099	1	BENT	8.00	1.75	27°	---	---	---	---
75742M1299	2	BENT	3.50	1.75	13°	---	---	---	---
75742M1499	2	BENT	5.25	2.00	13°	---	---	---	---
75742M1699	2	BENT	8.25	2.00	13°	---	---	---	---
75742M1899	2	STRNHT	---	---	---	10.14	---	---	---
75742M2099	4	BENT	4.50	1.75	27°	---	---	---	---
75742M2299	3	BENT	6.25	1.50	85°	---	---	---	---
75742M2499	3	BENT	7.25	2.00	85°	---	---	---	---
75742M2699	3	STRNHT	---	---	---	---	9.14	---	---
75742M2799	2	BENT	7.25	2.00	13°	---	---	---	---
75742M3099	1	STRNHT	---	---	---	---	---	9.14	---
75742M3199	3	BENT	10.00	1.75	85°	---	---	---	---
75742M3399	3	BENT	7.25	1.50	85°	---	---	---	---
75742M3499	5	BENT	4.50	1.75	85°	---	---	---	---
75742M3599	6	BENT	8.25	2.00	85°	---	---	---	---
75742M3699	1	BENT	6.50	1.25	27°	---	---	---	---
75742M4099	1	BENT	6.75	1.38	0°	---	---	---	---
75742M4199	3	BENT	7.25	1.50	85°	---	---	---	---
75742M4299	3	BENT	10.00	2.25	40°	---	---	---	---
75742M4399	2	BENT	3.50	1.75	19.3°	---	---	---	---
75742M4499	3	BENT	6.25	1.50	265°	---	---	---	---
75742M4599	3	BENT	5.25	2.00	13°	---	---	---	---
75742M4699	3	BENT	7.75	1.50	85°	---	---	---	---
75742M4799	3	BENT	5.75	2.00	85°	---	---	---	---
75742M7499	3	BENT	18.00	1.75	85°	---	---	---	---
75742M7699	3	BENT	6.25	1.50	85°	---	---	---	---
75742M7899	1	BENT	5.25	1.75	27°	---	---	---	---
75742M8099	3	BENT	5.25	1.75	85°	---	---	---	---
75742M8299	1	BENT	9.25	2.00	85°	---	---	---	---
75742M8499	1	BENT	3.50	1.50	27°	---	---	---	---
75742M8699	1	BENT	4.75	1.75	27°	---	---	---	---
75742M9099	2	BENT	5.25	1.75	13°	---	---	---	---
75742M9299	2	BENT	6.50	1.75	13°	---	---	---	---
75742M9499	2	BENT	7.00	1.75	13°	---	---	---	---
75742M9699	1	BENT	7.00	1.75	13°	---	---	---	---
75742M9899	2	BENT	6.50	1.75	140°	---	---	---	---
75742S0299	10	STRNHT	---	---	---	---	1.58	---	---
75742S0499	11	STRNHT	---	---	---	---	---	1.58	---
75742S0599	11	STRNHT	---	---	---	---	---	---	1.58
75742Q0299	2	BENT	7.00	1.75	13°	---	---	---	---

WITHOUT EMERGENCY OVERLOAD CONTROL LEVER									
CATALOG NUMBER	FIG NO	SHAFT	"A"	"H"	"F"	"M"	ITEM 4	ITEM 5	
75742Q0699	1	BENT	8.00	1.75	27°	---	---	---	---

REVISIONS	
19	N. Adams 03/10/10 Added CAT#75742M8799 & 75742M8999 ECN#F1045
20	N. Adams 01/27/14 Added Columns (Item 4, Item 5) on sh 2 & ZQ0299 ECN B886
21	N. Adams 7/6/16 ADDED CAT#75742Q0199, 0499 0599, & 0699 ECN B1002
22	N. Adams 9/27/16 Chgd. info on sh. 1 for 75742M8999 ECN B1008
23	N. Adams 2/13/17 Add ZS0599 & update Fig 11 on sh. 6. ECN B1019
15	N. Adams 24-June-2004 Added Models 75742M8299 ECN #F950
16	Nicholas Adams 10/26/07 Added ZM8999, 9099, 9199, 9299. ECN B372
17	Nicholas Adams 11/06/07 Added 75742M9499 ECN B374
18	N. Adams 6/24/09 Added Cat. # 75742M9699 ECN B482

APPROVAL
ECI
32B928010
SH 1

MADE BY: K. Carroll 22-April-97
ISSUED BY: Nicholas Adams 2/13/17

ERMCO COMPONENTS INC

UNLESS OTHERWISE SPECIFIED, TOLERANCES ARE

SURFACES	±	2 PL DEC	±	3 PL DEC	±	ANGLES	±	DEG
----------	---	----------	---	----------	---	--------	---	-----

FIRST MADE FOR

Operating Detail

CONT ON SH 3

32B928010

SH 2

TITLE

OUTLINE (OPERATING DETAIL)

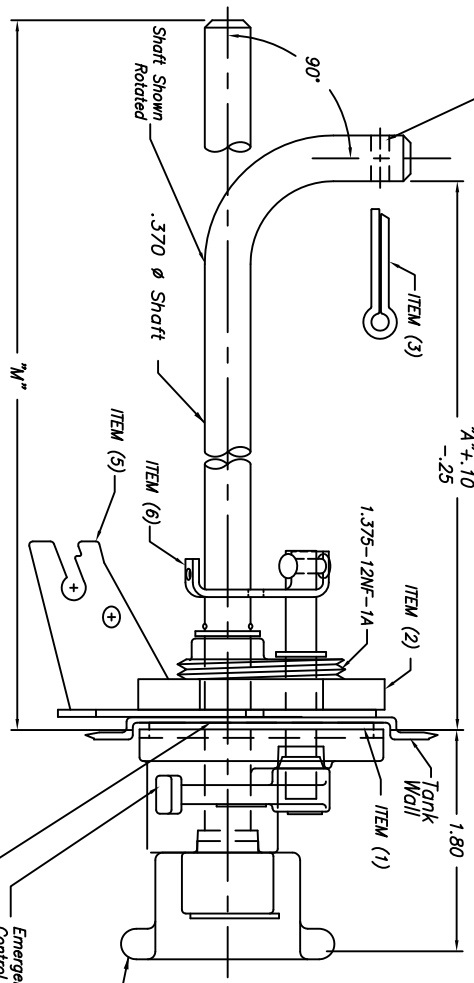
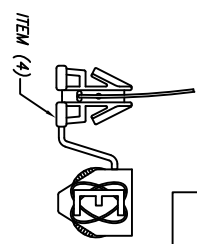
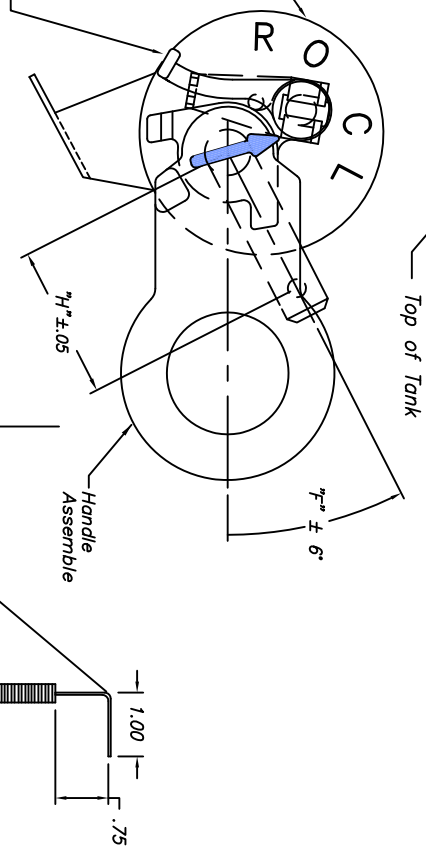


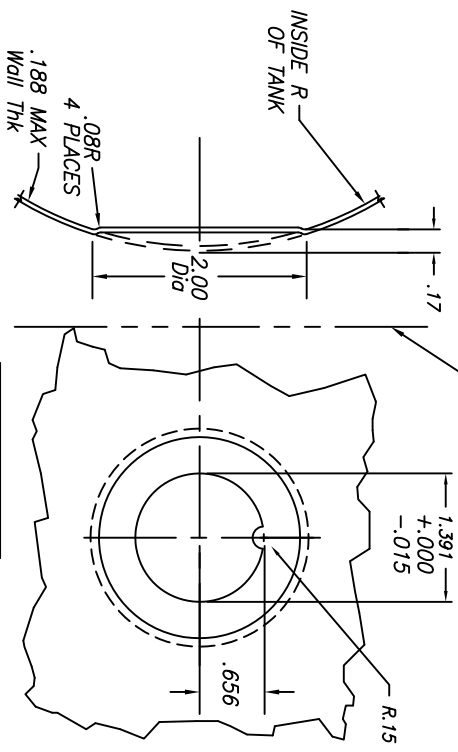
FIGURE 1



SKETCH "C"

ITEM NO	NAME	CATALOG NO
1	GASKET	5111ZE33299
2	NUT	4391ZR1009
3	COTTER PIN	47122C1299
4	METER SEAL	7589ZAB399
5	SUPPORT	7591ZH8899
6	LEVER	7591ZH8099

SKETCH "K"



REVISIONS	
21	N. Adams 7/6/16 ADDED CAT#7574ZQ0199, 0499 0599, & 0699 ECN B1002
22	N. Adams 9/27/16 Chgd. info on sh. 1 for 7574ZM8999 ECN B1008
23	N. Adams 2/13/17 Add ZS0599 & update Fig 11 on sh. 6. ECN B1019
16	Nicholas Adams 10/26/07 Added ZM8999, 9099, 9199, 9299. ECN B372
17	Nicholas Adams 11/06/07 Added 7574ZM9499 ECN B374
18	N. Adams 6/24/09 Added Cat. # 7574ZM9699 ECN B482
19	N. Adams 03/10/10 ADDED CAT#7574ZM9799 & 7574ZM9899 ECN#F1045
20	N. Adams 01/27/14 Added Columns (Item4, Item 5) on sh 2 & ZQ0299 ECN B886

MADE BY: K. Carroll 22-April-97

ISSUED BY: N. Adams 2/13/17

APPROVALS

ECI

CONT ON SH 3

32B928010

SH 2

ECL-BTL

PRINTS 10

Secure Tube in Place By Squeezing Ends of Holder

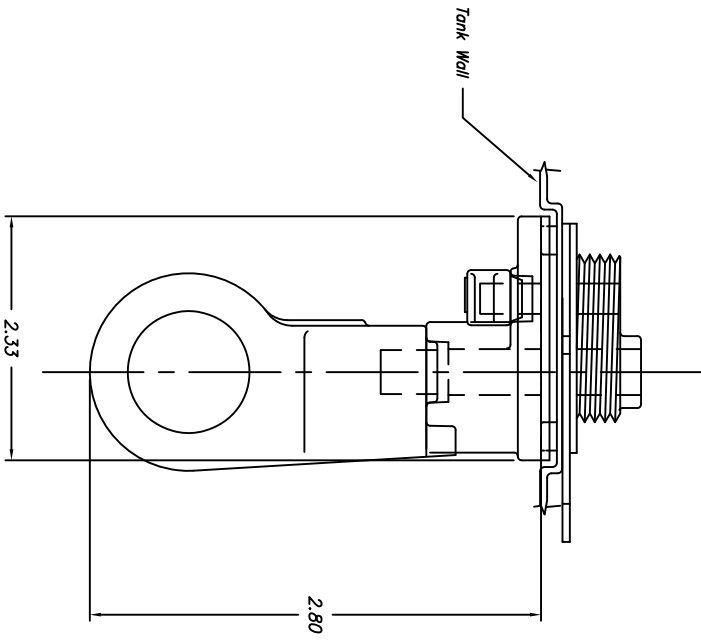
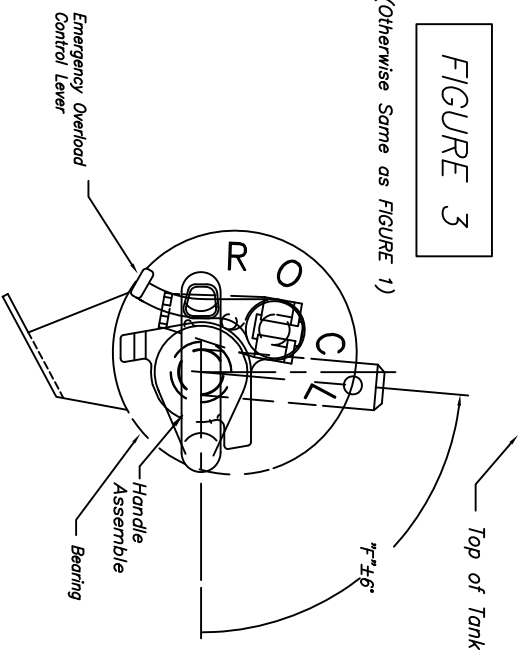


FIGURE 3

(Otherwise Same as FIGURE 1)



(2) .149 ± .005 DIA (#25) HOLES ON ϕ ± .020

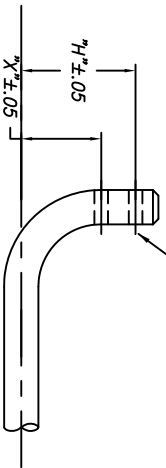


FIG	"H"	"X"	OTHERWISE SAME AS
04	1.75	1.38	F01
05	1.75	1.38	F03
06	2.00	1.50	F03
07	2.00	1.45	F08

ERMCO COMPONENTS INC

UNLESS OTHERWISE SPECIFIED, TOLERANCES ARE

SURFACES	2 PL DEC	3 PL DEC	ANGLES
✓	±	±	± DEG

TITLE

32B928010

CONT ON SH 4

SH 3

OUTLINE (OPERATING DETAIL)

FIRST MADE FOR

Operating Detail

Replaces 32B928005, 32B928006, B255110106, & 32B928004

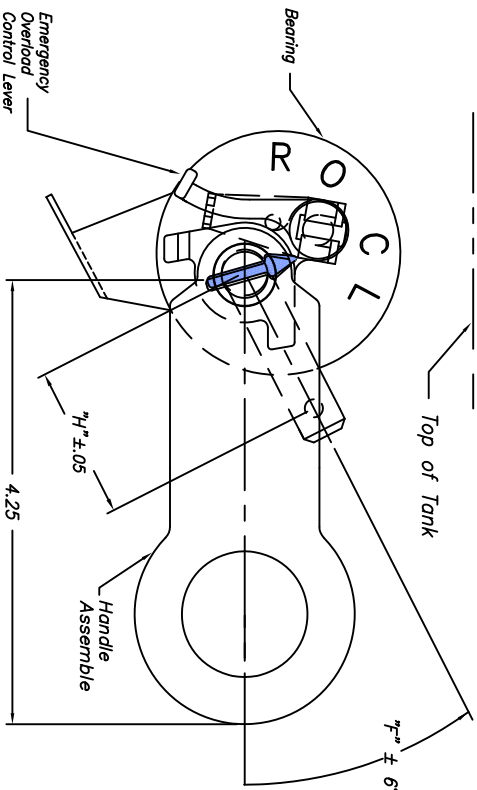


FIGURE 2

(Otherwise Same as FIGURE 1)

REVISIONS	
21	N. Adams 7/6/16 ADDED CAT#7574ZQ0199, 0499 0599, & 0699 ECN B1002
22	N. Adams 9/27/16 Chgd. info on sh. 1 for 7574ZM8999 ECN B1008
23	N. Adams 2/13/17 Add ZS0599 & update Fig 11 on sh. 6. ECN B1019
16	Nicholas Adams 10/26/07 Added ZM8999, 9099, 9199, 9299. ECN B372
17	Nicholas Adams 11/06/07 Added 7574ZM9499 ECN B374
18	N. Adams 6/24/09 Added Cat. # 7574ZM9699 ECN B482
19	N. Adams 03/10/10 ADDED CAT#7574ZM8799 & 7574ZM8999 ECN#F1045
20	N. Adams 01/27/14 Added Columns (Item4, Item 5) on sh 2 & ZQ0299 ECN B886

MADE BY: K. Carroll 22-April-97

ISSUED BY: N. Adams 2/13/17

APPROVAL

ECI

CONT ON SH 4

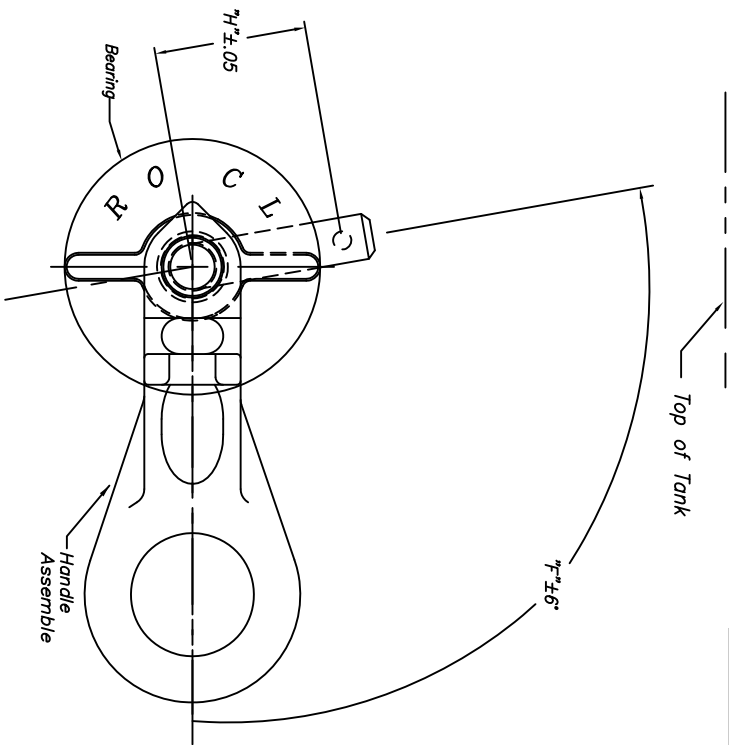
32B928010

SH 3

ECI-BTL

PRINTS

10



(Otherwise Same as FIGURE 1)

FIGURE 8

ERMCO COMPONENTS, INC			
UNLESS OTHERWISE SPECIFIED, TOLERANCES ARE			
SURFACES	2 PL DEC	3 PL DEC	ANGLES
✓	±	±	± DEG
TITLE		FIRST MADE FOR	
OUTLINE (OPERATING DETAIL)		Operating Detail	
32B928010		Replaces 32B928005, 32B928006, B2551J106, & 32B928004	
SH 4			

REVISIONS	
23	N. Adams 2/13/17 Add ZS0599 & update Fig 11 on sh. 6. ECN B1019
16	Nicholas Adams 10/26/07 Added ZM8999, 9099, 9199, 9299. ECN B372
17	Nicholas Adams 11/06/07 Added 7574ZM9499 ECN B374
18	N. Adams 6/24/09 Added Cat. # 7574ZM9699 ECN B482
19	N. Adams 03/10/10 ADDED CAT#7574ZM9799 & 7574ZM8999 ECN#F1045
20	N. Adams 01/27/14 Added Columns (Item4, Item 5) on sh 2 & ZQ0299 ECN B886
21	N. Adams 7/6/16 ADDED CAT#7574ZQ0199, 0499 0599, & 0699 ECN B1002
22	N. Adams 9/27/16 Chgd. info on sh. 1 for 7574ZM8999 ECN B1008

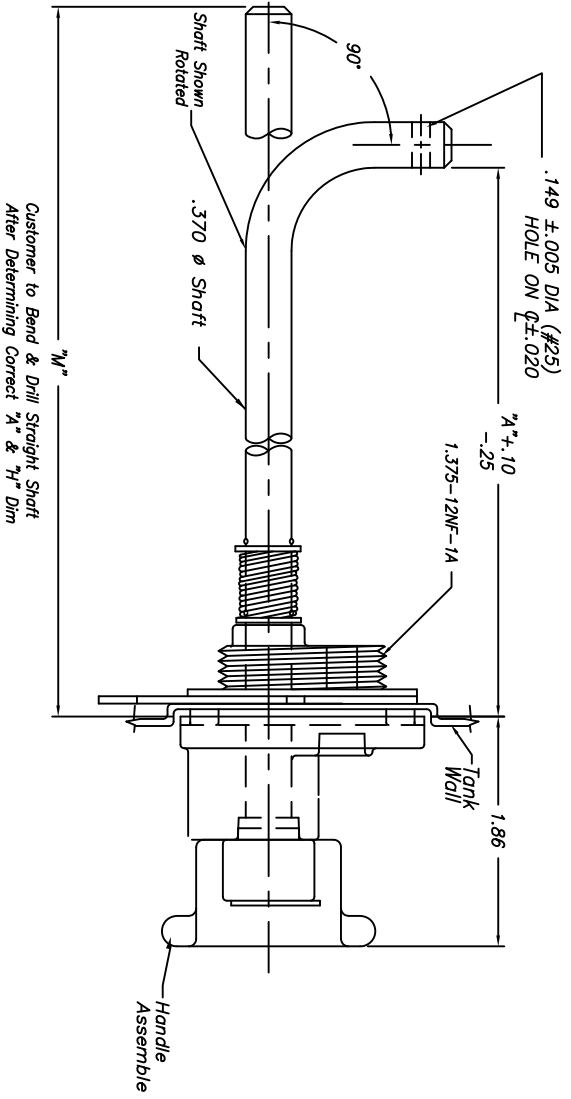
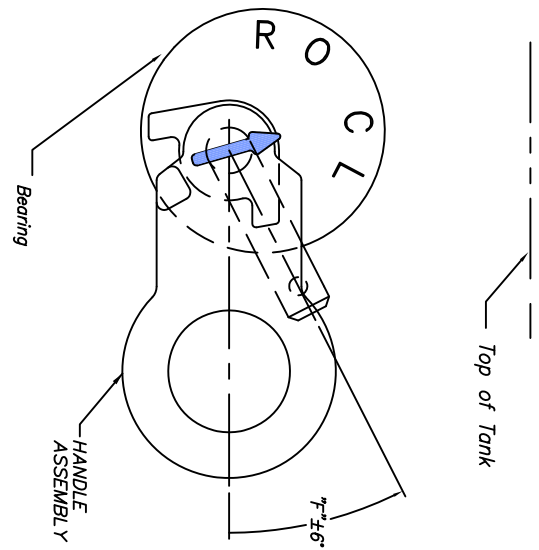


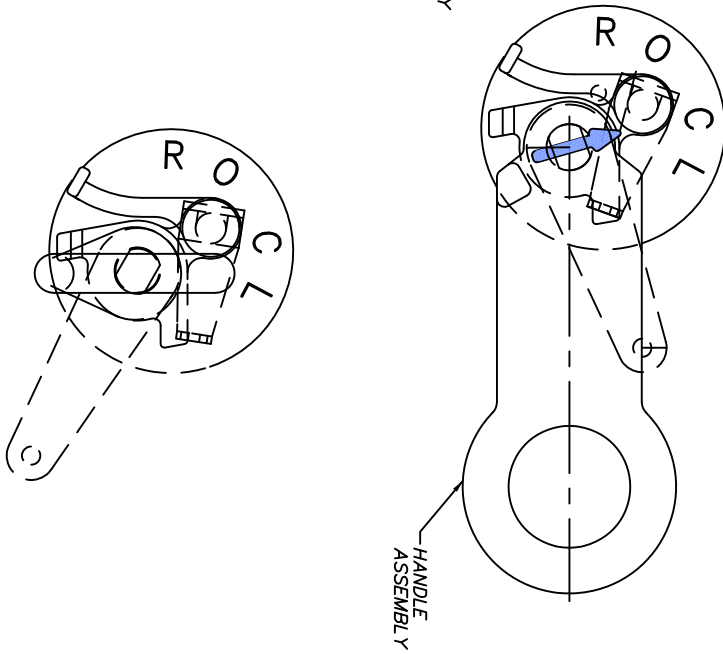
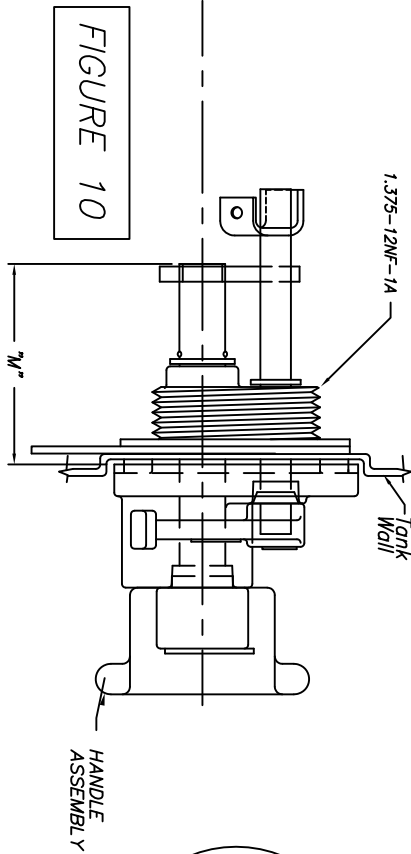
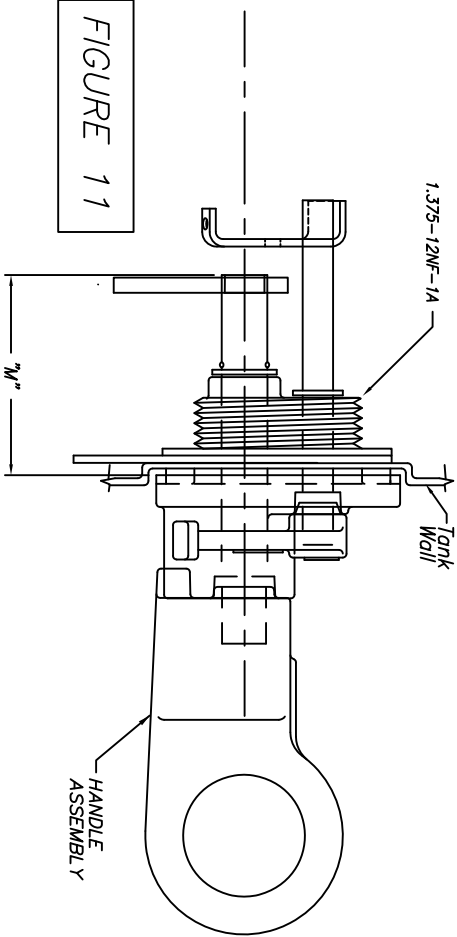
FIGURE 9
(Otherwise Same as FIGURE 1)

		TITLE OUTLINE (OPERATING DETAIL)	
UNLESS OTHERWISE SPECIFIED, TOLERANCES ARE SURFACES 2 PL DEC ±		ANGLE 3 PL DEC ± DEG	
FIRST MADE FOR Replaces 32B928005, 32B928006, B2551J106, & 32B928004		CONT ON SH 6 SH 5 32B928010	



REVISIONS	
21	N. Adams 7/6/16 ADDED CAT#7574ZQ0199, 0499 0599, & 0699 ECN B1002
22	N. Adams 9/27/16 Chgd. info on sh. 1 for 7574ZM8999 ECN B1008
23	N. Adams 2/13/17 Add ZS0599 & update Fig 11 on sh. 6. ECN B1019
16	Nicholas Adams 10/26/07 Added ZM8999, 9099, 9199, 9299. ECN B372
17	Nicholas Adams 11/06/07 Added 7574ZM9499 ECN B374
18	N. Adams 6/24/09 Added Cat. # 7574ZM9699 ECN B482
19	N. Adams 03/10/10 ADDED CAT#7574ZM9799 & 7574ZM9899 ECN#F1045
20	N. Adams 01/27/14 Added Columns (Item4, Item 5) on sh 2 & ZQ0299 ECN B886

MADE BY: K. Carroll 22-April-97
 ISSUED BY: N. Adams 2/13/17
 APPROVALS: ECI
 PRINTS: ERMCO-BTL
 SH 5
 32B928010
 CONT ON SH 6



Top of Tank



UNLESS OTHERWISE SPECIFIED, TOLERANCES ARE:
 SURFACES 2 PL DEC
 ± 2 PL DEC
 ± 3 PL DEC
 ANGLES
 ± DEG

TITLE
OUTLINE (OPERATING DETAIL)
 CONT ON SH
 32B928010
 SH 6

Replaces 32B928005, 32B928006, B2551J106, & 32B928004

FIRST MADE FOR
 Operating Detail

REVISIONS	
20	N. Adams 01/27/14 Added Columns (Item 4, Item 5) on sh 2 & ZQ0299 ECN B886
21	N. Adams 7/6/16 ADDED CAT#7574ZQ0199, 0499 0599, & 0699 ECN B1002
22	N. Adams 9/27/16 Chgd. info on sh. 1 for 7574ZM8999 ECN B1008
23	N. Adams 2/13/17 Add ZS0599 & update Fig 11 on sh. 6. ECN B1019
16	Nicholas Adams 10/26/07 Added ZM8999, 9099, 9199, 9299. ECN B372
17	Nicholas Adams 11/06/07 Added 7574ZM9499 ECN B374
18	N. Adams 6/24/09 Added Cat. # 7574ZM9699 ECN B482
19	N. Adams 03/10/10 ADDED CAT#7574ZM9799 & 7574ZM9899 ECN#F1045
	ECI-BTL
	PRINTS

MADE BY: K. Carroll 08-May-98 ECN #347
 ISSUED BY: N. Adams 2/13/17
 APPROVAL
 ECI
 CONT ON SH
32B928010
 SH 6