

CAUTION

**SWITCH FOR TESTING TRANSFORMER ONLY!
DO NOT FIELD OPERATE!
DE-ENERGIZE BEFORE OPERATING!**

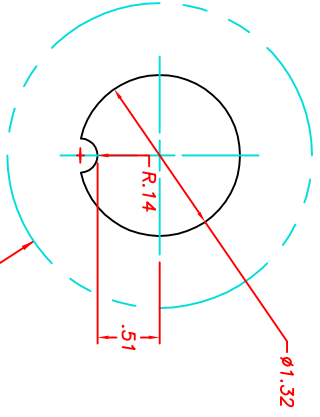
- OPEN SWITCH ONLY WHEN TRANSFORMER IS DE-ENERGIZED. FAILURE TO COMPLY MAY RESULT IN PERSONAL INJURY.
- ARRESTER DISCONNECT SWITCH MUST BE OPEN BEFORE DIELECTRIC TESTING OF TRANSFORMER TO PREVENT MISLEADING RESULTS AND POSSIBLE ARRESTER DAMAGE.
- TO OPEN SWITCH, UNSCREW PIPE PLUG, PULL PLUG OUT TO STOP (APPROX. 2.5"). THIS DISCONNECTS THE ARRESTER TO GROUND.
- TO CLOSE REVERSE THE ABOVE PROCEDURE.

32A703026P01

DECAL

NOTICE

TO ASSURE FULL BIL. THE PISTON MUST BE IN THE WITHDRAWN POSITION AND THE TUBE FILLED WITH OIL. DURING TRANSFORMER INSULATION TESTING, AFTER TESTING APPLY LOCTITE (NOT PROVIDED) TO THE SHAFT THREADS AND SCREW INTO THE PISTON UNTIL SEATED. PUSH IN THE PLUG/SHAFT UNTIL THE PLUG ENGAGES AND SCREW INTO FLANGE. NOTE THAT THE PLUG MUST HAVE TEFLOON TAPE OR OTHER THREAD SEALANT.



2.50 DIA MIN
FLAT AREA
MOUNTING HOLE DETAIL

- NOTES:
1. TORQUE LOCK NUT TO 150 INCH POUNDS.
 2. LOCKNUT, GASKET AND PLUG ASSEMBLY SHIPPED UNASSEMBLED.
 3. LOCATE DECAL ON TANK ADJACENT TO DISCONNECTOR.

| CATALOG NUMBER | DESCRIPTION |
|----------------|-------------|
| 4399ZF0199 | LOCKNUT |
| 5111ZF0199 | GASKET |
| 7529ZA0399 | PLUG/SHAFT |
| 5219ZF0199 | DECAL |

| CATALOG NUMBER | FIG | TYPE | ASM. | DECAL SUPPLIED | FASTON TERMINAL |
|----------------|-----|------|------|----------------|-----------------|
| 7529ZA0899 | 01 | PAID | ASM. | YES | YES |
| 7529ZA0999 | 02 | POLE | ASM. | YES | YES |
| 7529ZA1099 | 03 | POLE | ASM. | YES | NO |
| 7529ZA1199 | 04 | PAID | ASM. | YES | NO |

ERMCO COMPONENTS INC

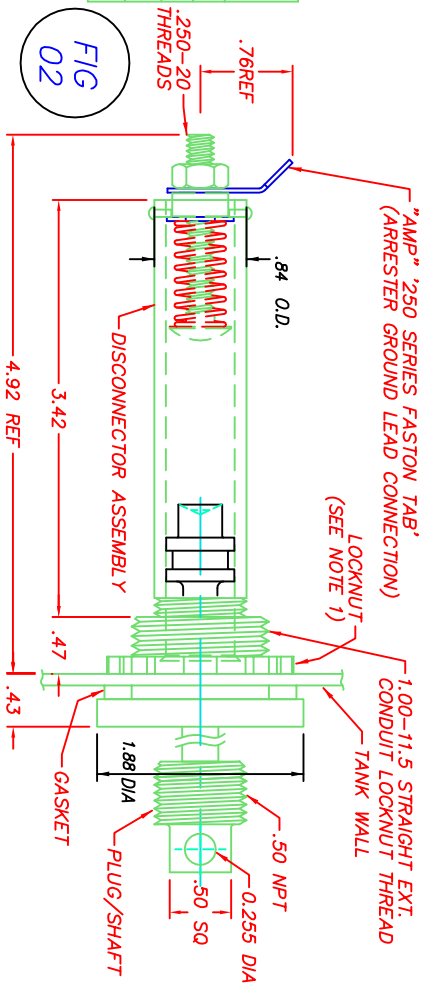
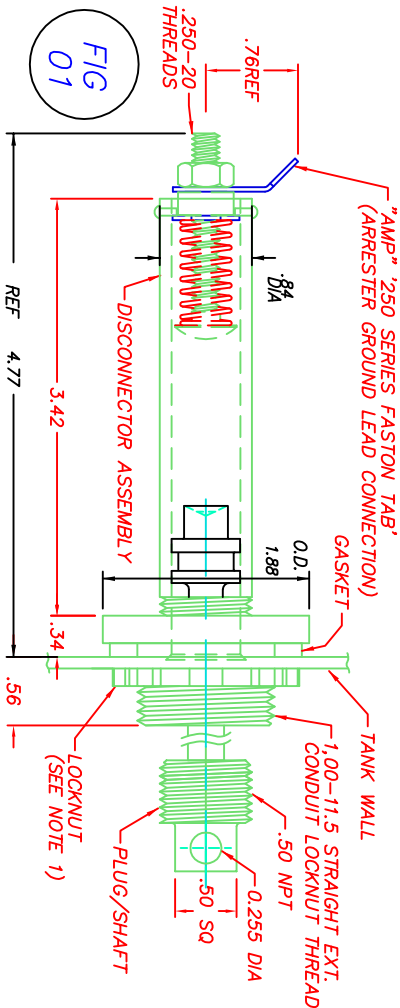
UNLESS OTHERWISE SPECIFIED, TOLERANCES ARE:
 SURFACES: 2 PL. DEC ±, 3 PL. DEC ±, ANGLES DEG ±, DEG ±

32B708002
SH 1

32B708002
CONT ON SH 2

TITLE: **OUTLINE (ARRESTER DISCONNECTOR SWITCH)**
(UNDER OIL ARRESTER DISCONNECT SWITCH)

FIRST MADE FOR:



| REVISIONS | |
|-----------|------------------------------------------------------------------------------------|
| 1 | G.DAVIS SEPT. 14, 1988 CHG LABEL TEXT "DO NOT OPERATE" |
| 2 | G.DAVIS OCT. 18, 1988 ADD 0499;0599 CAT No's |
| 3 | G.DAVIS NOV. 10, 1988 CHG DEL "AMP" TERM |
| 4 | R.JERGENSEN 9/20/93 ADD 0699 CAT No |
| 5 | A.B.D. 06MAR95 ADD 0799;0899;0999 |
| 6 | G.BRYANT 1/22/96 ECN#R10 ADDED SH. 2 |
| 7 | K. CARROLL 25-3-96 ECN# R21 CHG CAT. TABLE |
| 8 | K. Carroll 20-Nov-96 Updated Caution Decal ECN# R54A |
| 9 | K. Carroll 21-Nov-97 Chg Delin. of Piston ECN #R73 Chg del of nut both fig's |
| 10 | STULPIN 08-MAR-99 UPDATED TEMPLATE |
| 11 | N. Adams 11/23/05 Added 0.255 hole ECN B216 |

MADE BY: **G.DAVIS JAN. 05, 1988**

REISSUED BY: **Nicholas Adams 11/23/05**

APPROVALS:

ECI

32B708002
CONT ON SH 2
SH 1

CAUTION

**SWITCH FOR TESTING TRANSFORMER ONLY!
DO NOT FIELD OPERATE!
DE-ENERGIZE BEFORE OPERATING!**

- OPEN SWITCH ONLY WHEN TRANSFORMER IS DE-ENERGIZED. FAILURE TO COMPLY MAY RESULT IN PERSONAL INJURY.
- ARRESTER DISCONNECT SWITCH **MUST BE OPEN BEFORE** DIELECTRIC TESTING OF TRANSFORMER TO PREVENT MISLEADING RESULTS AND POSSIBLE ARRESTER DAMAGE.
- TO OPEN SWITCH, UNSCREW PIPE PLUG, PULL PLUG OUT TO STOP (APPROX. 2.5"). THIS DISCONNECTS THE ARRESTER GROUND.
- TO CLOSE REVERSE THE ABOVE PROCEDURE.

32A703026P01

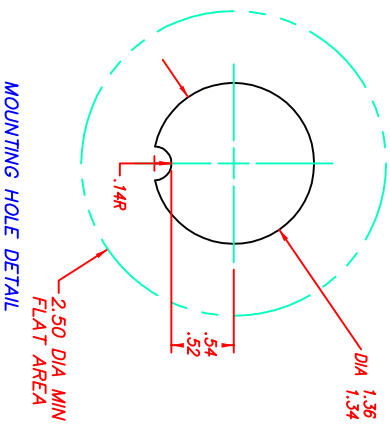
DECAL

NOTICE

TO ASSURE FULL BIL THE PISTON MUST BE IN THE WITHDRAWN POSITION AND THE TUBE FILLED WITH OIL DURING TRANSFORMER INSULATION TESTING. AFTER TESTING APPLY LOCITE (NOT PROVIDED) TO THE SHAFT THREADS AND SCREW INTO THE PISTON UNTIL SEATED. PUSH IN THE PLUG/SHAFT UNTIL THE PLUG ENGAGES AND SCREW INTO FLANGE. NOTE THAT THE PLUG MUST HAVE TEFLON TAPE OR OTHER THREAD SEALANT.

| CATALOG NUMBER | DESCRIPTION |
|----------------|-------------|
| 4399ZFO199 | LOCKNUT |
| 5111ZFO199 | GASKET |
| 7529ZAO399 | PLUG/SHAFT |
| 5219ZFO199 | DECAL |

- NOTES:
1. TORQUE LOCK NUT TO 150 INCH POUNDS.
 2. LOCKNUT, GASKET AND PLUG ASSEMBLY SHIPPED UNASSEMBLED.
 3. LOCATE DECAL ON TANK ADJACENT TO DISCONNECTOR.



ERMCO COMPONENTS, INC.

UNLESS OTHERWISE SPECIFIED, TOLERANCES ARE:
 SURFACES ± 2 PL DEC
 ANGLES ± 3 PL DEC
 DEGS ± 1

TITLE: **OUTLINE (ARRESTER DISCONNECTOR SWITCH)**
 FIRST MADE FOR: **(UNDER OIL ARRESTER DISCONNECT SWITCH)**

32B708002 SH 2
 CONT ON SH 3

FIG 03

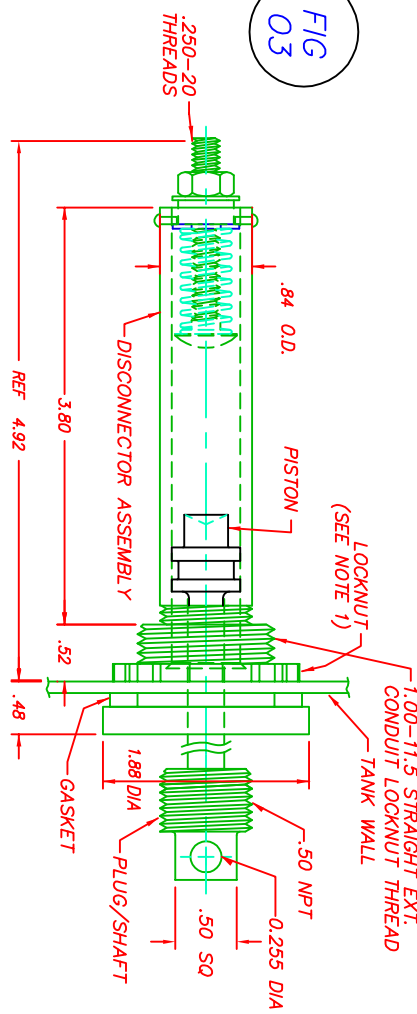


FIG 04

SAME AS FIG 01 WITHOUT EASTON TAB

| REVISIONS | DATE BY: | APPROVAL | COMMENTS |
|-----------|----------------------|----------|--------------------------------------------|
| 1 | K.CARROLL 25-3-96 | | ECN# R21 ADDED FIG 04 |
| 2 | K.Carroll 20-Nov-96 | | Updated Caution Decal ECN# R54A |
| 3 | K. Carroll 21-Nov-97 | | Chg Del. of Piston Chg del of nut ECN #R73 |
| 4 | STULPIN 08-MAR-99 | | UPDATED TEMPLATE |
| 5 | STULPIN 26-MAR-01 | | ADDED SHEET 3 |
| 11 | N. Adams 11/23/05 | | Added 0.255 hole ECN B216 |

MADE BY: **G.S.BRYANT JAN. 22, 1996**

REISSUED BY: **Nicholas Adams 11/23/05**

APPROVAL: **ECI**

COMMENTS: **3 2B708002 SH 2**

CAUTION

**SWITCH FOR TESTING TRANSFORMER ONLY!
DO NOT FIELD OPERATE!
DE-ENERGIZE BEFORE OPERATING!**

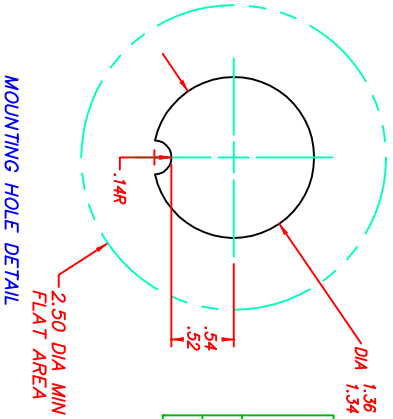
- OPEN SWITCH ONLY WHEN TRANSFORMER IS DE-ENERGIZED. FAILURE TO COMPLY MAY RESULT IN PERSONAL INJURY.
- NEUTRAL DISCONNECT SWITCH **MUST BE OPEN BEFORE** DIELECTRIC TESTING OF TRANSFORMER TO PREVENT MISLEADING RESULTS AND POSSIBLE DAMAGE.
- TO OPEN SWITCH, UNSCREW PIPE PLUG, PULL PLUG OUT TO STOP (APPROX. 2.5"). THIS DISCONNECTS THE GROUND.
- TO CLOSE REVERSE THE ABOVE PROCEDURE.

32A703026P02

DECAL

NOTICE

TO ASSURE FULL BIL. THE PISTON MUST BE IN THE WITHDRAWN POSITION AND THE TUBE FILLED WITH OIL DURING TRANSFORMER INSULATION TESTING. AFTER TESTING APPLY LOCTITE (NOT PROVIDED) TO THE SHAFT THREADS AND SCREW INTO THE PISTON UNTIL SEATED. PUSH IN THE PLUG/SHAFT UNTIL THE PLUG ENGAGES AND SCREW INTO FLANGE. NOTE THAT THE PLUG MUST HAVE TEFLON TAPE OR OTHER THREAD SEALANT.



| CATALOG NUMBER | FIG | TYPE | ASM | DECAL SUPPLIED | FASTON TERMINAL |
|----------------|-----|---------|------|----------------|-----------------|
| 75292A8599 | 06 | 3 PHASE | ASM. | YES | NO |
| 75292A8699 | 05 | 3 PHASE | ASM. | YES | NO |

- NOTES:
1. TORQUE LOCK NUT TO 150 INCH POUNDS.
 2. LOCKNUT, GASKET AND PLUG ASSEMBLY SHIPPED UNASSEMBLED.
 3. LOCATE DECAL ON TANK ADJACENT TO DISCONNECTOR.

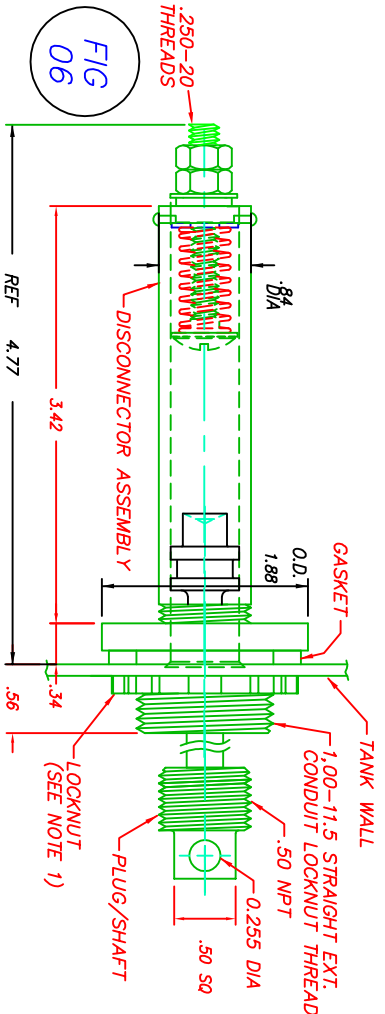
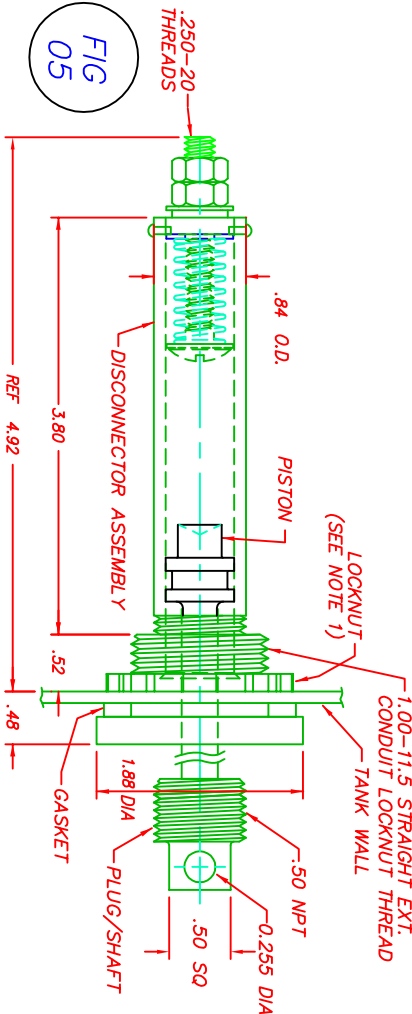
ERMCO COMPONENTS, INC.

UNLESS OTHERWISE SPECIFIED, TOLERANCES ARE:
 SURFACES ± 2 PL DEC 2 PL DEC 3 PL DEC ANGLES ± DEG

TITLE: **OUTLINE (NEUTRAL DISCONNECT SWITCH)**

FIRST MADE FOR: **(NEUTRAL DISCONNECT SWITCH)**

3 2B708002 SH 3



REVISIONS

| NO. | DATE | BY | DESCRIPTION |
|-----|----------|----------|---------------------------|
| 1 | 11/23/05 | N. Adams | Added 0.255 hole ECN B216 |

MADE BY: **S. STULPIN** 26-MAR-01 ECN 8005
 REISSUED BY: **Nicholas Adams** 11/23/05

APPROVAL: _____ ECI

3 2B708002 SH 3