

Rev. 3

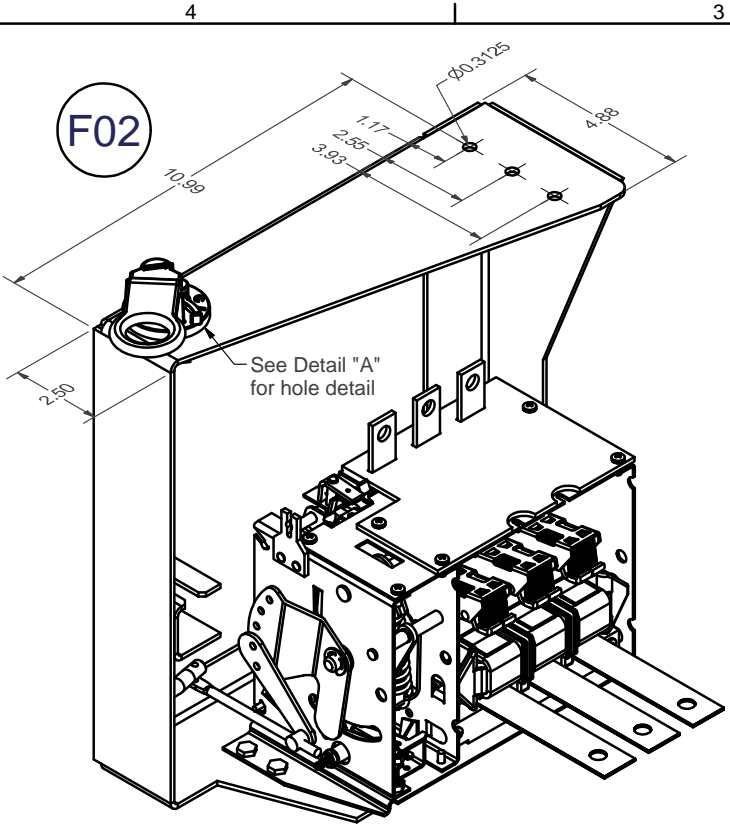
B

A3-10

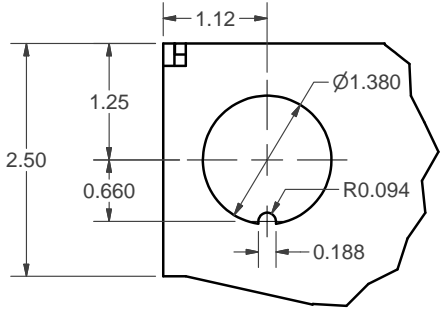
A

01/16

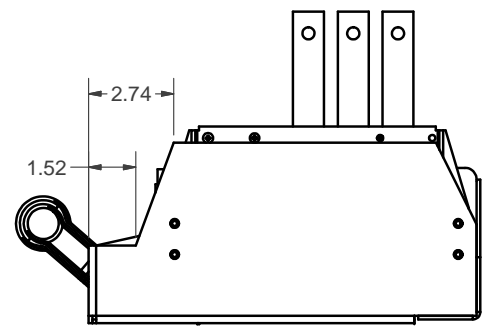
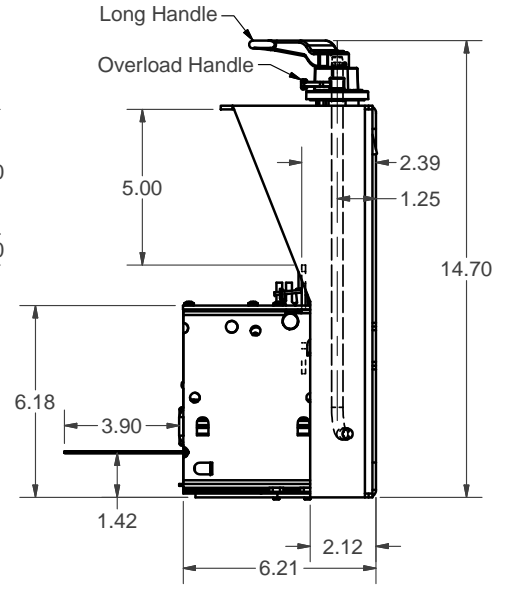
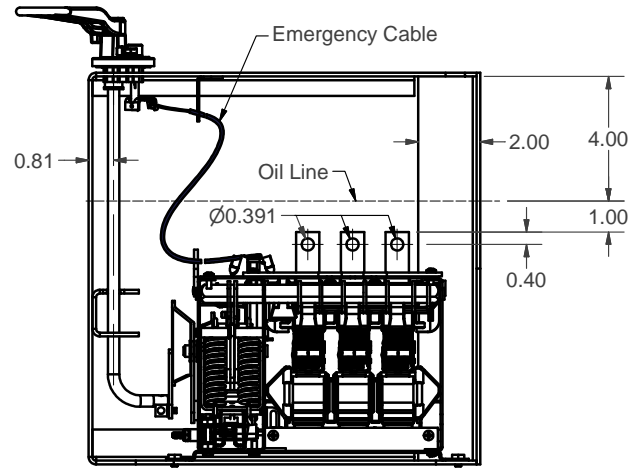
F02



Detail "A"



UNLESS OTHERWISE SPECIFIED			ERMCO COMPONENTS, INC.		DWG NO. 1	2B138008
SURFACES	TOLERANCES		THE INFORMATION CONTAINED ON THIS DOCUMENT IS PROPRIETARY TO ERMCO COMPONENTS, INC. AND MAY NOT BE USED FOR ANY OTHER PURPOSES THAN THOSE EXPRESSLY AUTHORIZED BY ECI.			
	2 PL DEC	3 PL DEC	ANGLES	DWG SH 1	NUMBER OF SHS. 4	TITLE:
✓	± .010	± .005	± 5°	Submersible Breaker on Bracket Three Phase		
						FIRST MADE FOR: Large Breaker



REVISIONS	
1	N. Adams 4/22/15
2	N. Adams 1/18/16
3	N. Adams 1/26/16
Add drawings to catalog ECN B986	
Add sheet 2 with a table listing. ECN B944	
Add sheet 3 & 4 ECN B982	
PRINTS TO ECI-BTL	
Measurement INCHES	

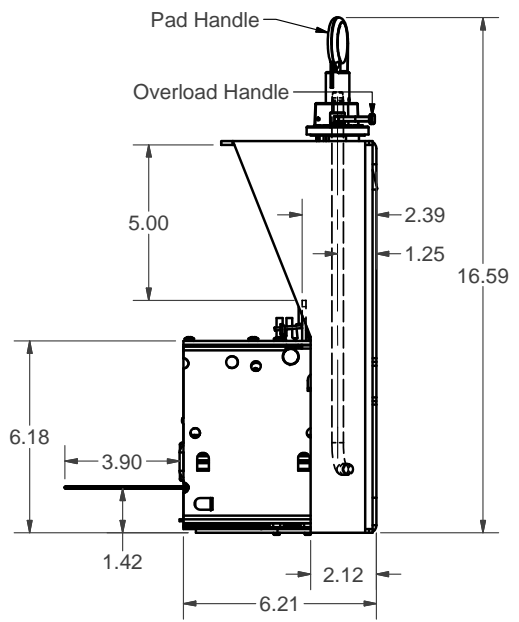
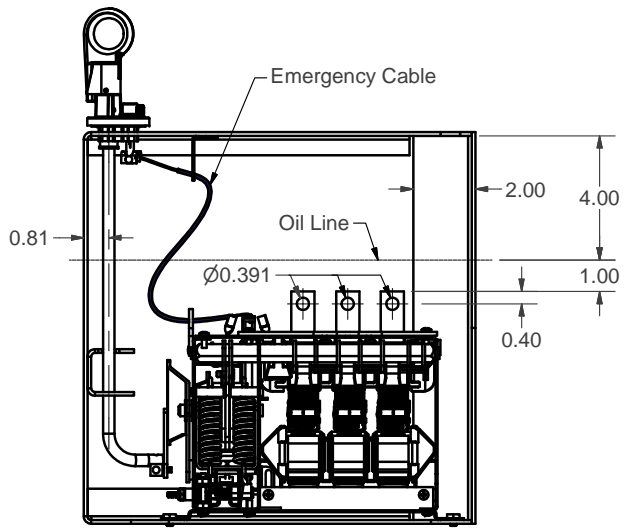
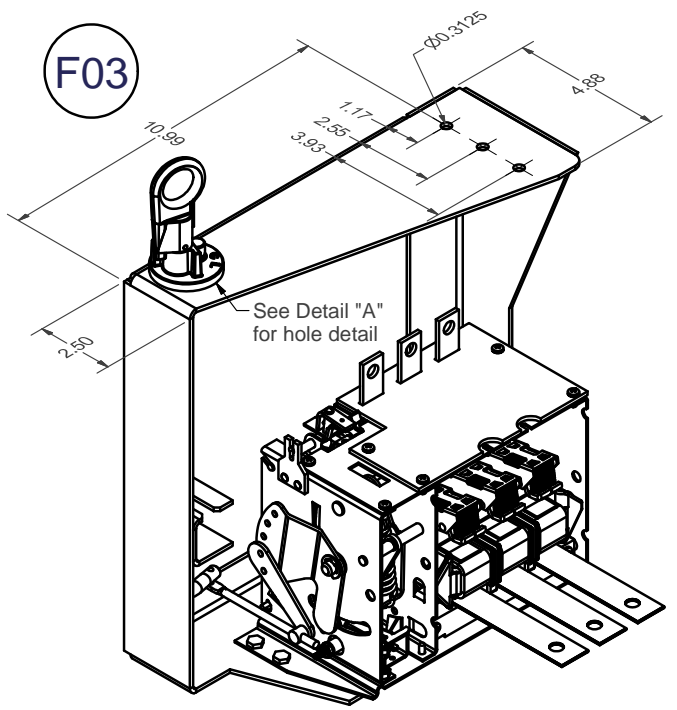
DRAWN BY:	ECN	APPROVAL	ECI	DWG NO. 1	2B138008
Nicholas Adams	1/5/2012			DWG SH 1	NUMBER OF SHS. 4
ISSUED BY:				TITLE:	
Nicholas Adams	1/26/2016			Submersible Breaker on Bracket Three Phase	

Rev. 3
B
A3-11
A
01/16

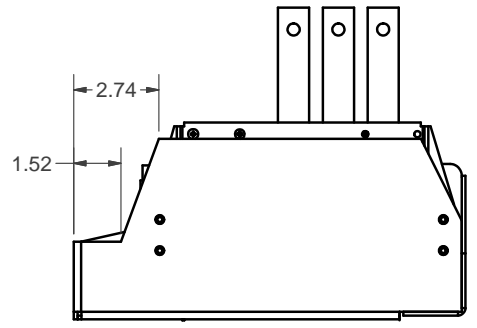
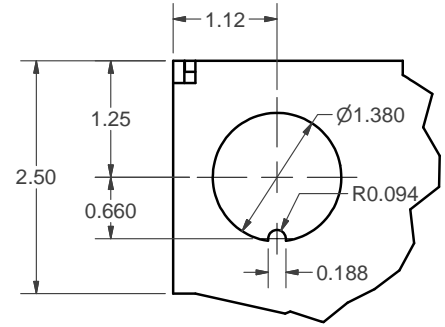
4 | 3 | 2 | 1

UNLESS OTHERWISE SPECIFIED			ERMCO COMPONENTS, INC.		DWG NO. 2B138008
SURFACES ✓	TOLERANCES		THE INFORMATION CONTAINED ON THIS DOCUMENT IS PROPRIETARY TO ERMCO COMPONENTS, INC. AND MAY NOT BE USED FOR ANY OTHER PURPOSES THAN THOSE EXPRESSLY AUTHORIZED BY ECI.		
	2 PL DEC ±.010	3 PL DEC ±.005	ANGLES ± 5°	DWG NO. SH 2	NUMBER OF SHS. 4
				TITLE: Submersible Breaker on Bracket First Made For: Large Breaker	

F03



Detail "A"



REVISIONS	
3	N. Adams 1/26/16 Add drawings to catalog ECN B986
2	N. Adams 1/18/16 Add sheet 3 & 4 ECN B982
1	N. Adams 4/22/15 Add sheet 2 with a table listing. ECN B944
PRINTS TO ECI-BTL	
Measurement INCHES	

DRAWN BY: Nicholas Adams	ECN 1/5/2012	APPROVAL ECI	DWG NO. SH 2	2B138008
ISSUED BY: Nicholas Adams	1/26/2016		TITLE: Submersible Breaker on Bracket 3 Phase	

4 | 3 | 2 | 1

