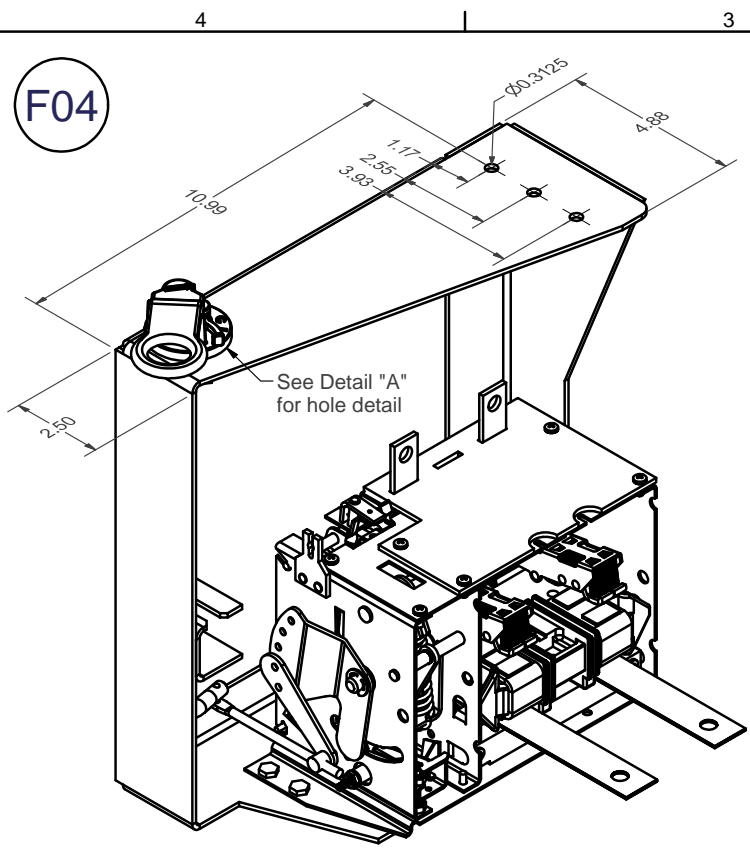
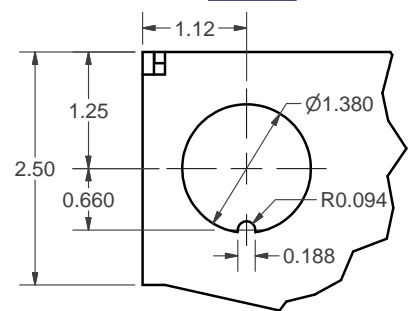


Rev. 3
B
A
01/16

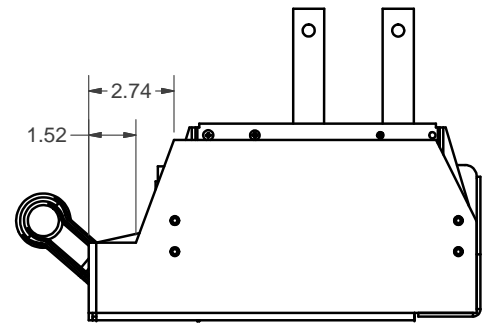
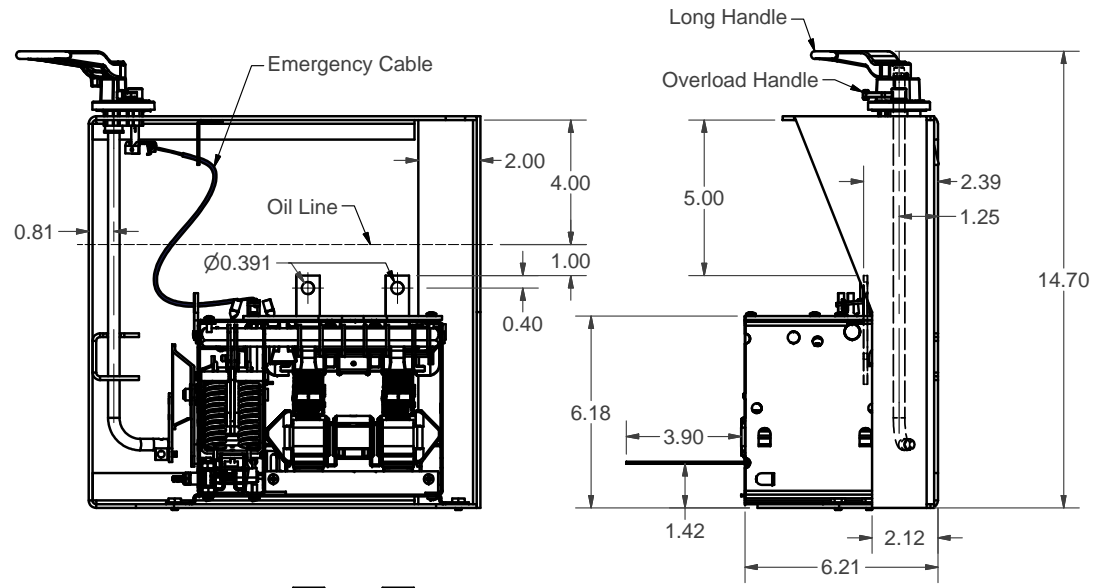
F04



Detail "A"



UNLESS OTHERWISE SPECIFIED			ERMCO COMPONENTS, INC.		DWG NO. 2B138008
SURFACES	TOLERANCES		THE INFORMATION CONTAINED ON THIS DOCUMENT IS PROPRIETARY TO ERMCO COMPONENTS, INC. AND MAY NOT BE USED FOR ANY OTHER PURPOSES THAN THOSE EXPRESSLY AUTHORIZED BY ECI.		
	2 PL DEC	3 PL DEC	ANGLES	DWG NO. SH 3	NUMBER OF SHS. 4
✓	± .010	± .005	± 5°	TITLE: Submersible Breaker on Bracket Single Phase	
				FIRST MADE FOR: Large Breaker	

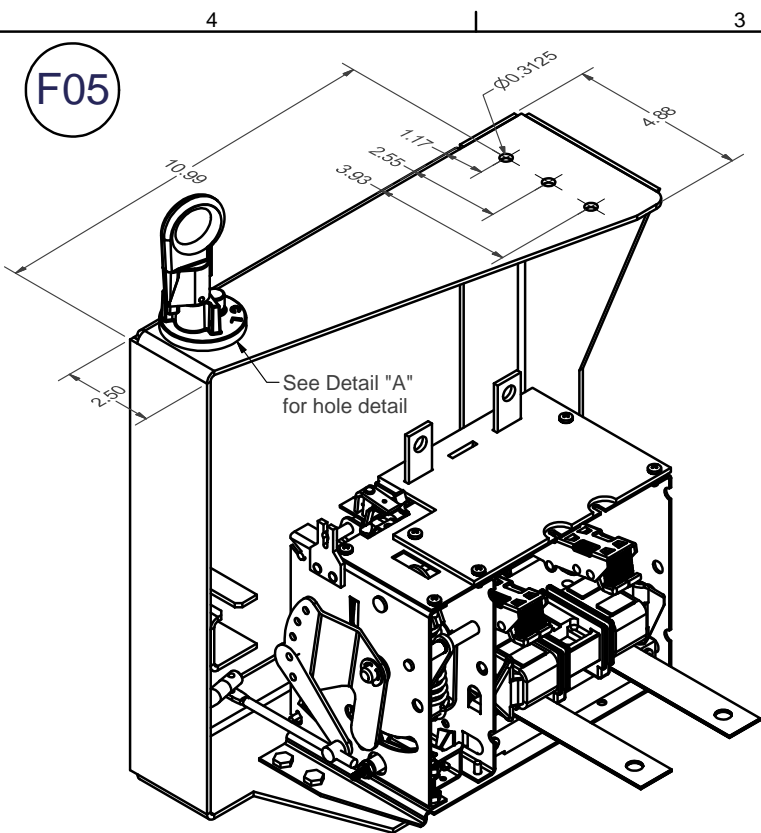


REVISIONS	
2	N. Adams 1/18/16
3	N. Adams 1/26/16
PRINTS TO ECI-BTL	
Measurement INCHES	

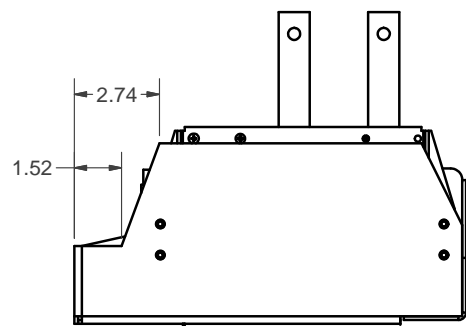
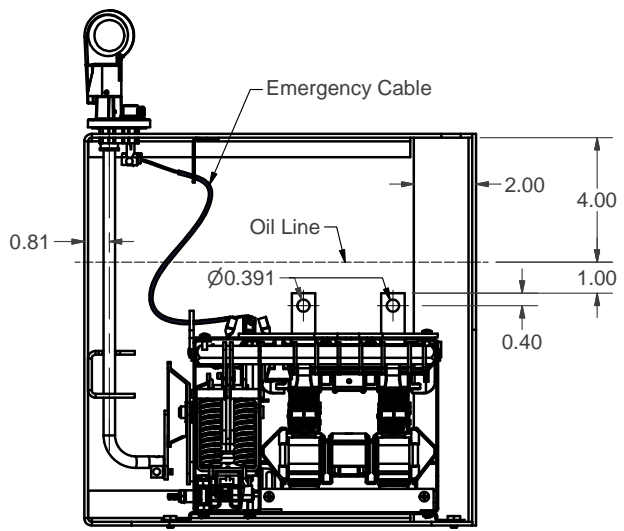
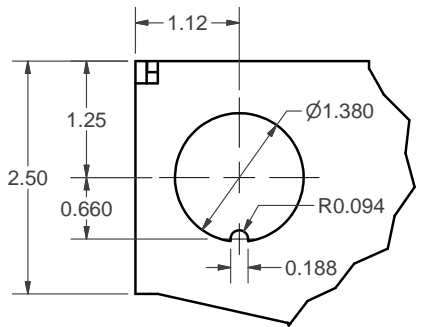
DRAWN BY: Nicholas Adams	ECN 1/18/2016	APPROVAL	ECI	DWG NO. SH 3	NUMBER OF SHS. 4
ISSUED BY: Nicholas Adams	1/26/2016			TITLE: Submersible Breaker on Bracket Single Phase	

Rev. 3
B
A3-14
A
01/16

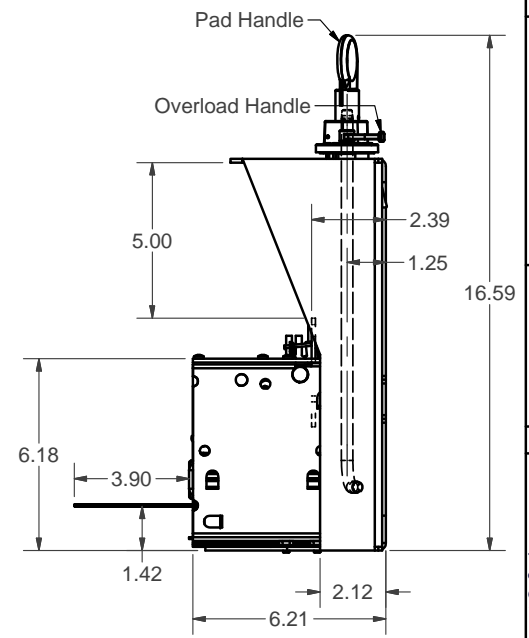
F05



Detail "A"



UNLESS OTHERWISE SPECIFIED		ERMCO COMPONENTS, INC.		DWG NO. 2B138008
SURFACES		TOLERANCES		SH 4 NUMBER OF SHS. 4
✓	2 PL DEC	3 PL DEC	ANGLES	TITLE: Submersible Breaker on Bracket Single Phase
	± .010	± .005	± 5°	FIRST MADE FOR: Large Breaker
THE INFORMATION CONTAINED ON THIS DOCUMENT IS PROPRIETARY TO ERMCO COMPONENTS, INC. AND MAY NOT BE USED FOR ANY OTHER PURPOSES THAN THOSE EXPRESSLY AUTHORIZED BY ECI.				



REVISIONS	
2	N. Adams 1/18/16 ECN B982 Add sheet 3 & 4 ECN B982 Add drawings to catalog
3	N. Adams 1/26/16 ECN B986 Add drawings to catalog ECN B986
PRINTS TO ECI-BTL	
Measurement INCHES	

DRAWN BY: Nicholas Adams	ECN 1/18/2016	APPROVAL ECI	DWG NO. 2B138008
ISSUED BY: Nicholas Adams	1/26/2016		SH 4 NUMBER OF SHS. 4
			TITLE: Submersible Breaker on Bracket Single Phase

