

TITLE

FLANGE (HV)

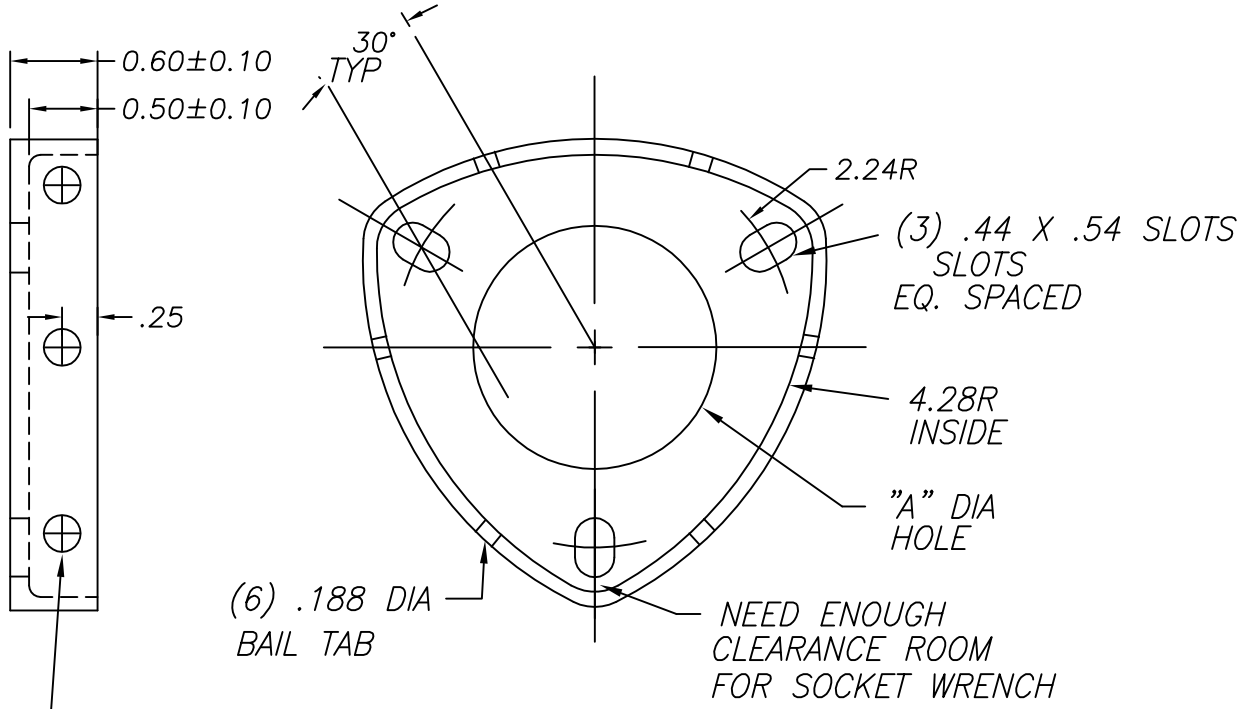
UNLESS OTHERWISE SPECIFIED, TOLERANCES ARE

SURFACES	2 PL DEC	3 PL DEC	ANGLES
✓	± 0.02	± 0.005	± 5 DEG

FIRST MADE FOR

HV BUSHING WELL

REVISIONS



(6) 0.200 HOLES MAY DEFORM TO 0.134 MIN WHEN FORMED

CAT. NO. 9U09AAW267 P55 PLTD CARBONSTEEL
B4A2F3 A=2.75±.02
FIN F70B4B
14 GAGE X 6.00 X 6.00 SQ.

CAT. NO. 9U09AAW268 P56 STN STL B7A65C3
A=2.75 ±.02
14 GAGE X 6.00 X 6.00 SQ.

9U09AAW268
FLANGE 1921J000P56
GASKET 7920K108P38
LABEL 32A090001P74

9U09AAW267
FLANGE 1921J000P55
GASKET 7920K108P38
LABEL 32A090001P73

13	S. STULPIN 06-MAR-01	CHG THICKNESS TO P56-WAS 13 GAGE ECN F663	CHG A DIM-WAS 2.72 (BOTH PARTS) ECN F642
14	R. GILLAND 10/17/03	UPDATE DISCUSSION	CHG THICKNESS TO P55-WAS 13 GAGE ECN F660
9	K. Corroll 02-Oct-98	Chg Tol on 0.60 dim and 0.50 dim was 0.02. ECN #F429	S. STULPIN 04-JAN-01
10	S. STULPIN 04-MAR-99	UPDATED TEMPLATE CHG .188 HOLE TO .200 , .140 MIN TO .134 ECN F 481	S. STULPIN 20-FEB-01
11			
12			

ECI-BTL

PRINTS TO

MADE BY: R. Wilkins 25-September-87

APPROVAL

HICKORY
ERMCO

3101A 1921J000

ISSUED BY: R. GILLAND 10/17/03

CONT ON SH 14

SH 13