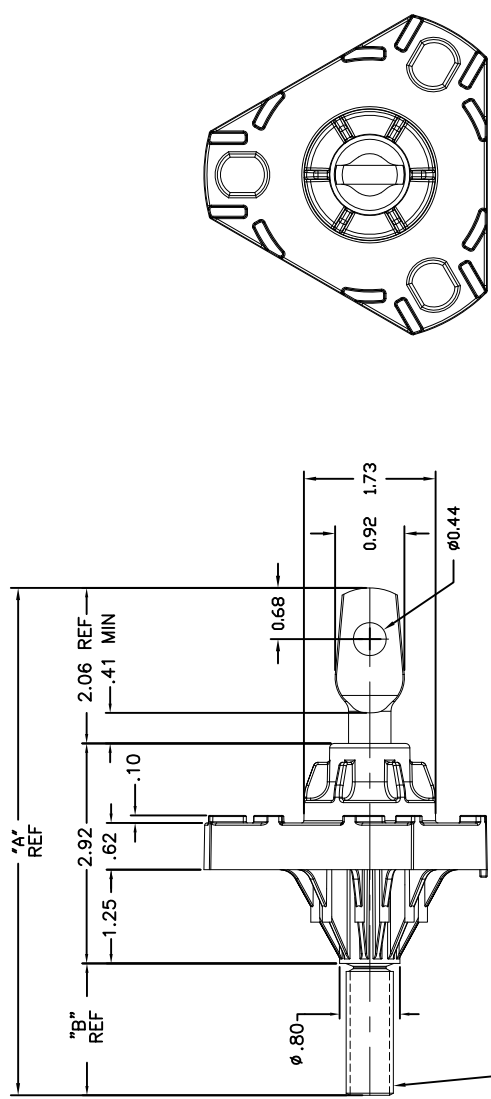


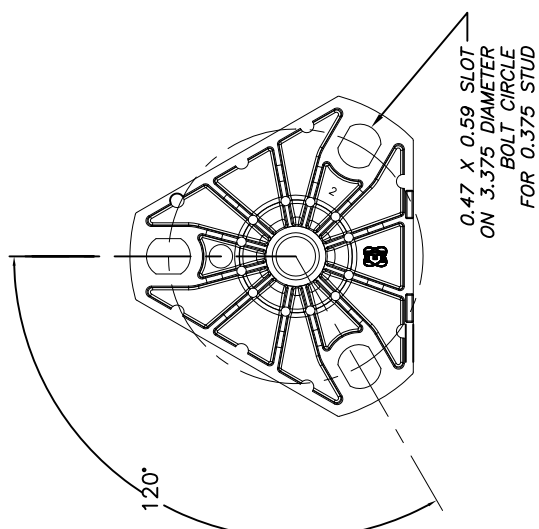
ERMCO COMPONENTS, INC.

TITLE: **3 2B098015F01** CONT ON SH SH
OUTLINE (TRICLAMP 5/8 STUD THERMOPLASTIC)
 FIRST MADE FOR: **LV BUSHING**

UNLESS OTHERWISE SPECIFIED, TOLERANCES ARE:
 SURFACES 2 PL DEC 3 PL DEC ANGLES ± DEG



5/8-11-UNC-2A THREADED STUD



MODEL NUMBER	DESCRIPTION	"A"	"B"
9U10BAA002	w/gasket and nut (200/barrel)	6.73	1.75
9U10BAA003	w/gasket (50/box)	6.73	1.75
9U10BAA004	w/gasket and nut (50/box)	6.73	1.75
9U10BAA005	w/gasket and nut	7.24	2.19
2A956001P11	gasket		
N211P33	5/8-11 brass nut		

REVISIONS

1	N. Adams	ADDED TABLE	ECN F670
2	N. Adams	Added 9U10BAA004 to list	ECN F995
3	N. Adams	Removed 9U10BAA002	ECN F996
4	N. Adams	Added 9U10BAA002 & 003	ECN B377

Dimensions in inches