

**ECI, ERMCO Components Inc.**  
1607 Industrial Road  
Greeneville, TN 37745  
Phone: 423-638-2302 Toll Free: 877-267-1855  
Fax: 423-638-9380

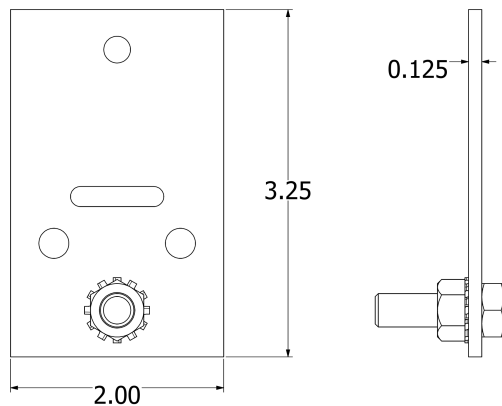
## New Product Bulletin

### Single Pole Terminal Board

ERMCO Components Incorporated (ECI) introduces the Single Pole Terminal Board for use in single phase distribution transformers. The terminal block will mechanically and electrically secure the high voltage lead within the tank of the distribution transformer to;

- Help insure lead routing for proper insulation between the high voltage and grounded objects
- Hold the lead in place during manufacturing and when removing the tank cover to prevent damage within the coil should the high voltage lead be in tension.

Think of the ECI Terminal Board as an inexpensive insurance policy that helps prevent costly transformer damage and customer outages.



**Figure 1:** Single Pole Terminal Board with 5/16"-18x1" bolt and nut with integral lockwasher. Top hole size .25", bottom holes .28", and slot is .875"x.09".

Please contact your ECI Representative for price and availability of the Single Pole Terminal Board catalog number 7285ZAA2399.