

UNLESS OTHERWISE SPECIFIED

ERMCO COMPONENTS, INC.

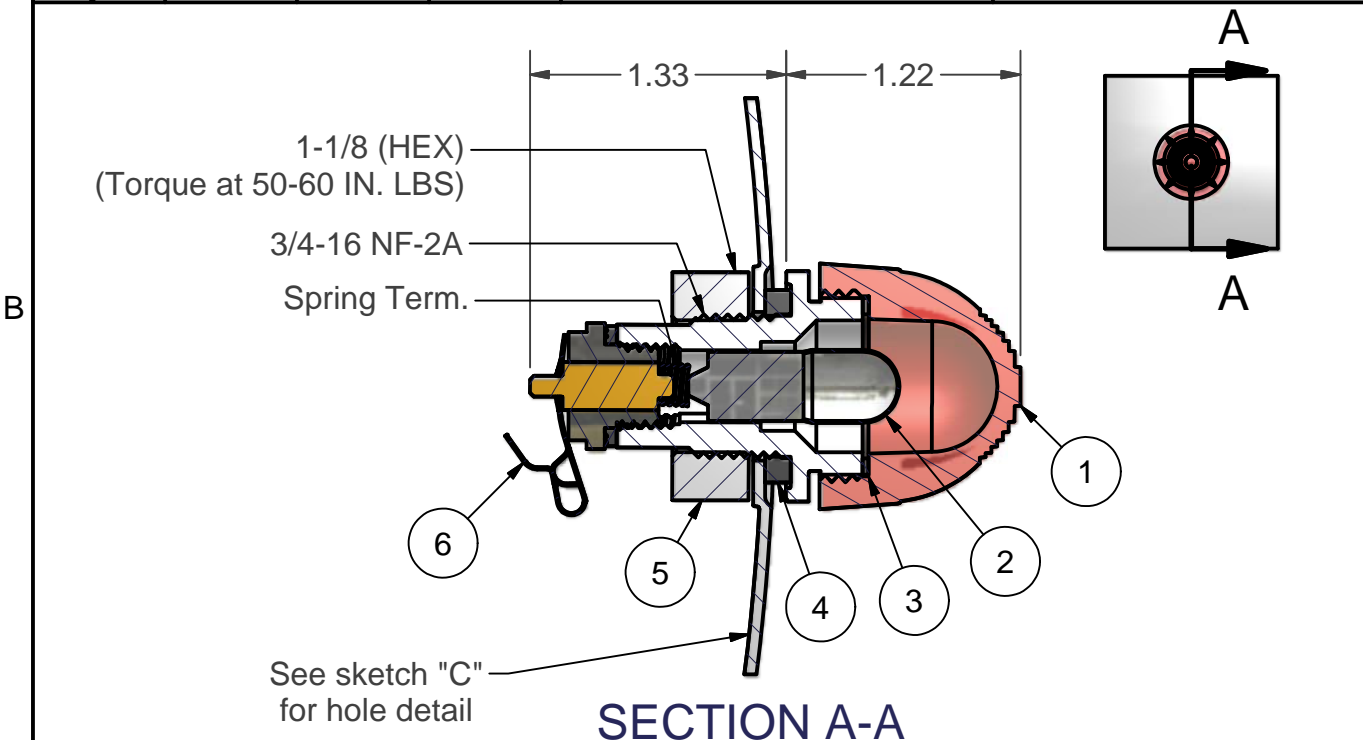
DWG NO. 2701K001
SH 1 NUMBER OF SHS. 2
TITLE:

Signal Light Assembly

FIRST MADE FOR: Signal Light

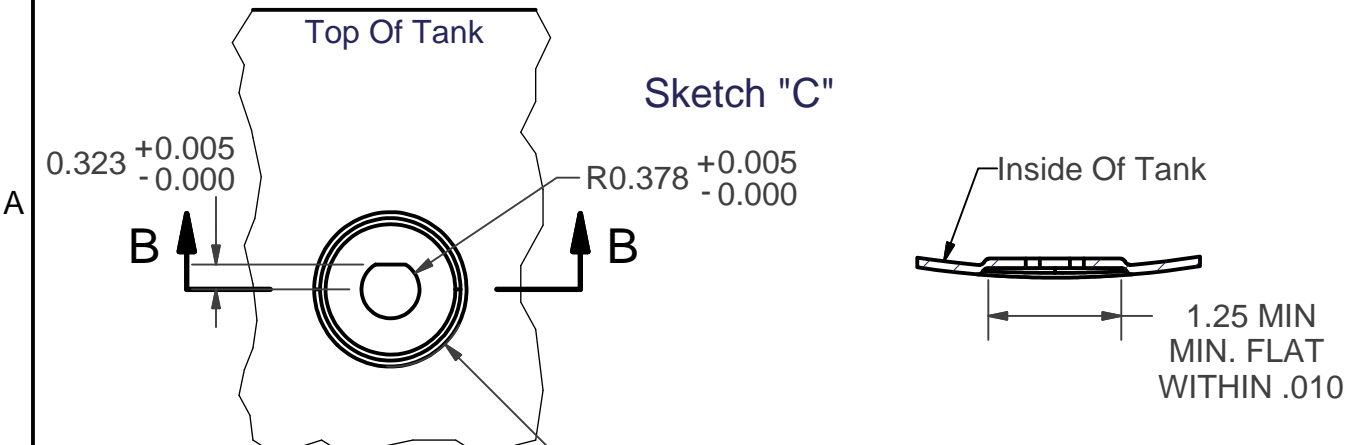
SURFACES	TOLERANCES		
	2 PL DEC	3 PL DEC	ANGLES
✓	± .010	± .005	±

THE INFORMATION CONTAINED ON THIS DOCUMENT IS PROPRIETARY TO ERMCO COMPONENTS, INC. AND MAY NOT BE USED FOR ANY OTHER PURPOSES THAN THOSE EXPRESSLY AUTHORIZED BY ECI.



SECTION A-A

Parts List		
ITEM	PART NUMBER	DESCRIPTION
	7591ZE9399	COMPLETE ASSEMBLY
1	5999ZB0199	LENS (RED)
2	5999ZR8399	LIGHT BULB
3	5111ZA0399	LENS GASKET
4	5111ZA5399	TANK GASKET
5	5999ZB2499	HEX JAM NUT
6	5999ZB0299	TERMINAL CLIP



SECTION B-B

Measurements are in inches

DRAWN BY:	ECN
R. Gilland	2/19/2003
ISSUED BY:	
Nicholas Adams	3/23/2011

APPROVAL	
ECI	

DWG NO.	2701K001
SH 1	NUMBER OF SHS. 2
TITLE:	Signal Light Assembly

REVISIONS	
7	N. Adams 3/23/11 Added (min. flat within .010) on tank sketch ECN B619
4	N. Adams 2/15/08 Chg size of hex nut ECN B384
5	N. Adams 12/07/10 Add sheet 2 ECN B581
6	N. Adams 2/09/05 Chg. cat no. from 7591ZE9499 to 7591ZE9399
PRINTS TO ECI-BTL	