



32B928010
 SH 1
 CONT ON SH 2

OUTLINE (OPERATING DETAIL)

UNLESS OTHERWISE SPECIFIED, TOLERANCES ARE:
 SURFACES 2 PL. DEC. ±
 ANGLES 3 PL. DEC. ±
 DEGS 4 ±

OPERATING DETAIL
 FIRST MADE FOR
 Replaces 32B928005, 32B928006, B25511076, & 32B928004

INSTALLATION OF CIRCUIT BREAKERS IN TRANSFORMERS

SCOPE:

1. BOLT BREAKER FIRMLY TO ITS SUPPORT.
2. ASSEMBLE ARM TO CIRCUIT BREAKER.
3. INSTALL THE OPERATING HANDLE ASSEMBLY IN THE TANK CASING AND TIGHTEN THE CLAMPING NUT TO 200-250 LB.-IN TORQUE. FURTHER TIGHTENING IS UNDESIRABLE.
4. WITH BREAKER OPEN, AND WITH HANDLE IN CORRESPONDING POSITION, ADJUST THE THREADED CONNECTION BETWEEN ARM AND LINK UNTIL THE HOLE IN THE ARM MAY BE LINED UP WITH THE HOLE IN THE OPERATING SHAFT.
5. TEMPORARILY INSTALL THE COTTER PIN (ITEM 3) TO CONNECT THE ARM TO THE OPERATING SHAFT AND USE FINGERS TO PREVENT THE COTTER PIN FROM FALLING OUT. BY MEANS OF THE OPERATING HANDLE RESET THE BREAKER (CLOSE IT). OBSERVE RESETTING OF SIGNAL LIGHT SWITCH. (THE BREAKER MAY BE TRIPPED MANUALLY BY ROTATING THE TRIP LATCH.)
6. MODIFY THE ADJUSTMENT OF STEP #4 UNTIL THE FUNCTIONS OF STEP #5 PERFORM FREELY, WITHIN THE LIMITS OF TRAVEL FOR THE HANDLE.
7. INSTALL THE COTTER PIN PERMANENTLY.
8. POSITION CIRCUIT BREAKER CALIBRATION CONTROL MECHANISM AT THE NORMAL POSITION. POSITION THE CONTROL ASSEMBLY HANDLE IN THE "DOWN" POSITION. THREAD THE CONTROL CABLE INTO THE SUPPORT AND LOCK THE CONNECTIONS BY PINCHING THE SUPPORT AROUND THE CABLE.
9. POSITION THE CIRCUIT BREAKER CALIBRATION CONTROL MECHANISM IN THE "NORMAL" POSITION. HOLD THE CONTROL ASSEMBLY IN THE "DOWN" POSITION. TWIST CONTROL WIRE INTO AND AROUND LEVER AS SHOWN IN SKETCH "C".

ASSEMBLY INCLUDES HANDLE PLUS COMMON PARTS. ARM MUST BE ORDERED SEPARATELY DEPENDING ON LENGTH REQUIRED.

WITH/OUT EMERGENCY OVERLOAD CONTROL LEVER						
CATALOG NUMBER	FIG NO	SHAFT	A*	H*	T*	W*
75742M0199	1	BENT	4.25	1.50	27*	--
75742M0399	1	BENT	5.25	1.50	27*	--
75742M0599	1	BENT	6.25	1.50	27*	--
75742M0799	1	BENT	6.50	1.75	27*	--
75742M0999	1	BENT	8.00	1.75	27*	--
75742M1199	2	BENT	3.50	1.75	13*	--
75742M1399	2	BENT	5.25	2.00	13*	--
75742M1599	2	BENT	8.25	2.00	13*	--
75742M1799	2	SHMWH	--	--	--	10.14
75742M1999	9	BENT	6.50	1.75	24.7*	--
75742M2199	3	BENT	6.25	1.50	85*	--
75742M2399	3	SHMWH	--	--	--	8.14
75742M2599	2	BENT	7.25	2.00	13*	--
75742M2699	1	SHMWH	--	--	--	8.14
75742M3299	9	BENT	6.50	1.75	18.7*	--
75742M3399	1	BENT	6.50	1.25	27*	--
75742M3599	1	BENT	6.75	1.38	0*	--
75742M4399	3	BENT	10.00	1.75	85*	--
75742M4499	2	BENT	3.5	1.75	19.3*	--
75742B0199	8	BENT	3.70	1.75	100*	--
75742B0299	8	BENT	3.70	1.75	100*	--
75742B0399	8	BENT	6.35	1.50	100*	--
75742B0499	8	BENT	4.70	1.50	100*	--
75742B0599	8	BENT	5.90	1.75	100*	--
75742B0899	8	BENT	5.80	1.25	100*	--
75742B0799	8	BENT	6.30	1.75	100*	--
75742B1399	8	BENT	7.75	1.50	280*	--
75742B1499	8	BENT	3.70	1.75	280*	--
75742B1599	8	BENT	6.35	1.50	280*	--
75742B1699	8	BENT	4.70	1.50	280*	--
75742B1799	8	BENT	5.90	1.75	280*	--
75742B1899	8	BENT	5.80	1.25	280*	--
75742B1999	8	BENT	6.30	1.75	280*	--
75742B2099	7	BENT	4.50	2.00	280*	--
75742M6799	3	BENT	7.75	1.50	85*	--
75742M6999	3	BENT	6.25	1.50	265*	--
75742S0199	10	SHMWH	--	--	--	1.58
75742S0399	11	SHMWH	--	--	--	1.58
75742M1799	1	BENT	18.00	1.75	85*	--
75742M1799	1	BENT	5.25	1.75	27*	--
75742M1799	1	BENT	5.25	1.75	85*	--
75742M7799	3	BENT	6.50	1.75	27*	--
75742M8399	1	BENT	2.125	1.75	0*	--
75742M8399	1	BENT	3.50	1.50	27*	--
75742M8999	2	BENT	5.25	1.75	13*	--
75742M9199	2	BENT	6.50	1.75	13*	--
75742M9799	2	BENT	6.50	1.75	140*	--

WITH EMERGENCY OVERLOAD CONTROL LEVER						
CATALOG NUMBER	FIG NO	SHAFT	A*	H*	T*	W*
75742M0299	1	BENT	4.25	1.50	27*	--
75742M0499	1	BENT	5.25	1.50	27*	--
75742M0699	1	BENT	6.25	1.50	27*	--
75742M0899	1	BENT	6.50	1.75	27*	--
75742M1099	1	BENT	8.00	1.75	27*	--
75742M1299	2	BENT	3.50	1.75	13*	--
75742M1499	2	BENT	5.25	2.00	13*	--
75742M1699	2	BENT	8.25	2.00	13*	--
75742M1899	2	SHMWH	--	--	--	10.14
75742M2099	4	BENT	4.50	1.75	27*	--
75742M2299	3	BENT	6.25	1.50	85*	--
75742M2499	3	BENT	7.25	2.00	85*	--
75742M2699	3	SHMWH	--	--	--	8.14
75742M2799	2	BENT	7.25	2.00	13*	--
75742M3099	2	SHMWH	--	--	--	8.14
75742M3199	3	BENT	10.00	1.75	85*	--
75742M3399	3	BENT	7.25	1.50	85*	--
75742M3499	5	BENT	4.50	1.75	85*	--
75742M3599	6	BENT	8.25	2.00	85*	--
75742M3899	1	BENT	6.50	1.25	27*	--
75742M4099	1	BENT	6.75	1.38	0*	--
75742M4199	3	BENT	7.25	1.50	85*	--
75742M4599	2	BENT	3.50	1.75	19.3*	--
75742M4299	1	BENT	10.00	2.25	40*	--
75742M6699	3	BENT	5.25	2.00	13*	--
75742M6899	3	BENT	7.75	1.50	85*	--
75742M4899	3	BENT	6.25	1.50	265*	--
75742S0299	10	SHMWH	--	--	--	1.58
75742M7099	11	SHMWH	--	--	--	1.58
75742S0499	11	SHMWH	--	--	--	1.58
75742M7499	3	BENT	18.00	1.75	85*	--
75742M7699	3	BENT	6.25	1.50	85*	--
75742M7899	1	BENT	5.25	1.75	27*	--
75742M8099	3	BENT	5.25	1.75	85*	--
75742M8299	1	BENT	9.25	2.00	85*	--
75742M8499	1	BENT	3.50	1.50	27*	--
75742M8699	1	BENT	4.75	1.75	13*	--
75742M9099	2	BENT	5.25	1.75	13*	--
75742M9299	2	BENT	6.50	1.75	13*	--
75742M9499	2	BENT	7.00	1.75	13*	--
75742M9699	1	BENT	7.00	1.75	13*	--
75742M9899	2	BENT	6.50	1.75	140*	--

REVISIONS	
19	N. Adams 03/10/10 ADDED CAT#75742M8799 & 75742M8899 ECN#1045
11	STULPIN 29-SEPT-00 ADDED CAT#75742M7799 ECN # F622
12	GILLAND 15-SEPT-01 ADDED CAT#75742M8399 ECN # B017
13	GILLAND 11/21/02 Added ZM8599 & 8499 ECN F885
14	GILLAND 10-MAR-03 Added Model 75742M8699 ECN #F891
15	N. Adams 24-June-2004 Added Models 75742M8299 ECN #F950
16	Nicholas Adams 10/26/07 Added ZM8999, 9099, 9199, 9299. ECN B372
17	Nicholas Adams 11/06/07 Added 75742M9499 ECN B374
18	N. Adams 6/24/09 Added Cat. # 75742M9699 ECN B482

APPROVAL
 ECI
 32B928010
 SH 1

ERMCO COMPONENTS INC

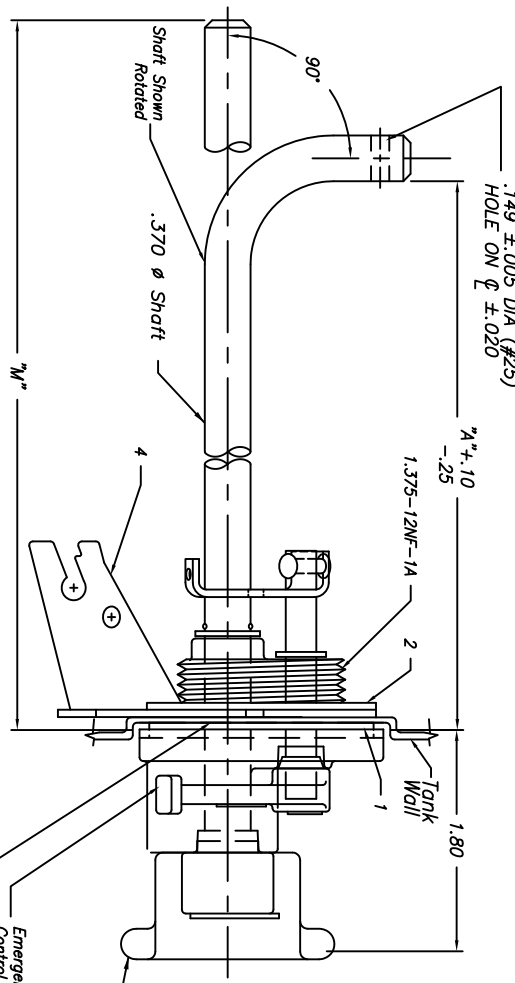
UNLESS OTHERWISE SPECIFIED, TOLERANCES ARE:
 SURFACES ± .005
 2 PL DEC ± .010
 3 PL DEC ± .015
 ANGLES DEG ± .5

TITLE
OUTLINE (OPERATING DETAIL)

CONT ON SH 3
 SH 2

32B928010

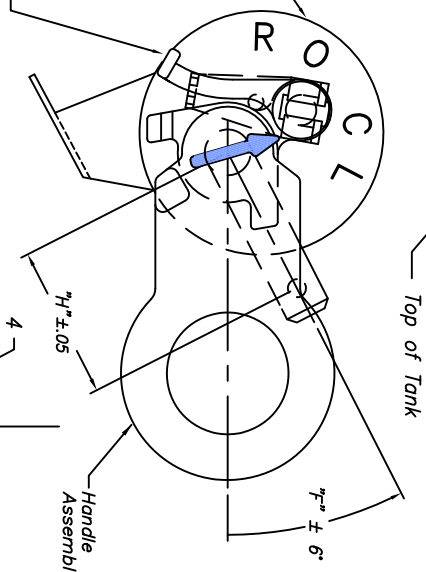
Replicates 32B928005, 32B8006, B255J106, & 32B928004



Customer to Bend & Drill Straight Shaft After Determining Correct 1/4" & 1/4" Dim

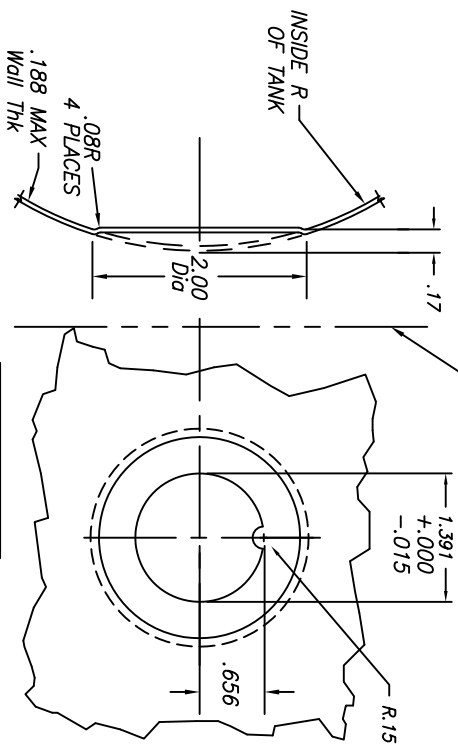
See Sketch "K" For Hole Details

FIGURE 1



Secure Tube in Place By Squeezing Ends of Holder

SKETCH "C"



SKETCH "K"

ITEM NO	NAME	CATALOG NO
1	GASKET	5111ZC3299
2	NUT	4391ZR1099
3	COTTER PIN	4712ZC1299
4	SUPPORT METER SEAL	7591ZH8899
		7589ZA8399

REVISIONS		APPROVALS	ECL
1	STULPIN 28-JAN-99 UPDATED TEMPLATE		
2	STULPIN 19-APR-01 ADDED METER SEAL TO TABLE		
3	GILLAND 8-AUG-01 REPLACE BEARING WITH NEW DESIGN AND UPDATE TABLE ECNF730		
16	Nicholas Adams 10/26/07 Added ZM8999, 9099, 9199, 9299. EON B372		
17	Nicholas Adams 11/06/07 Added 7574ZM9499 EON B374		
18	N. Adams 6/24/09 Added Cat. # 7574ZM9699 EON B482		
19	N. Adams 03/10/10 ADDED CAT#7574ZM9799 & 7574ZM9899 EON#F1045		

MADE BY: K. Carroll 22-April-97
 ISSUED BY: N. Adams 03/10/10

ECL-BTL
 PRINTS 10

32B928010 SH 2

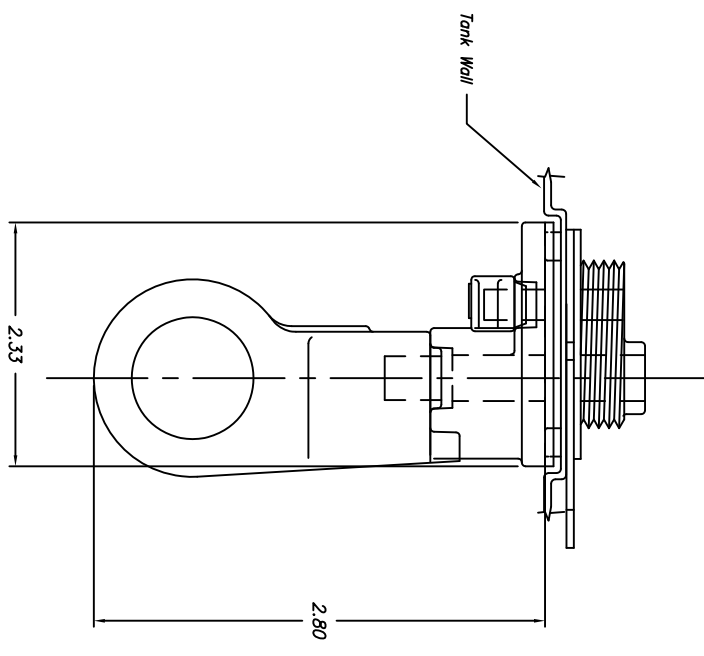


FIGURE 3

(Otherwise Same as FIGURE 1)

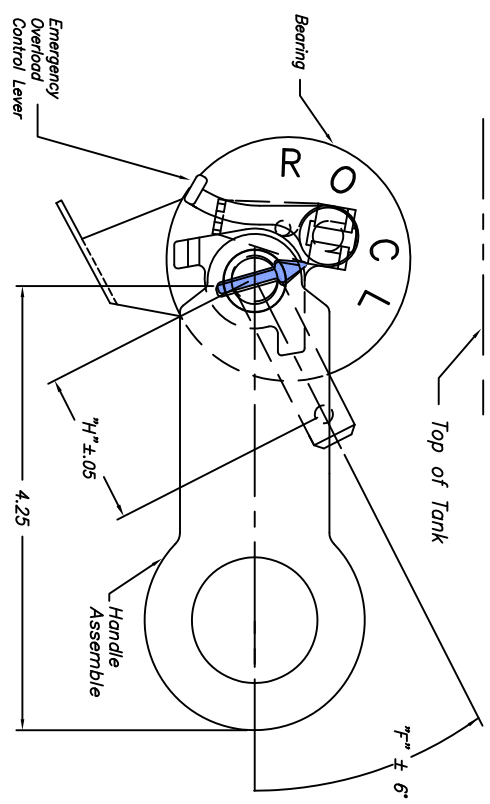
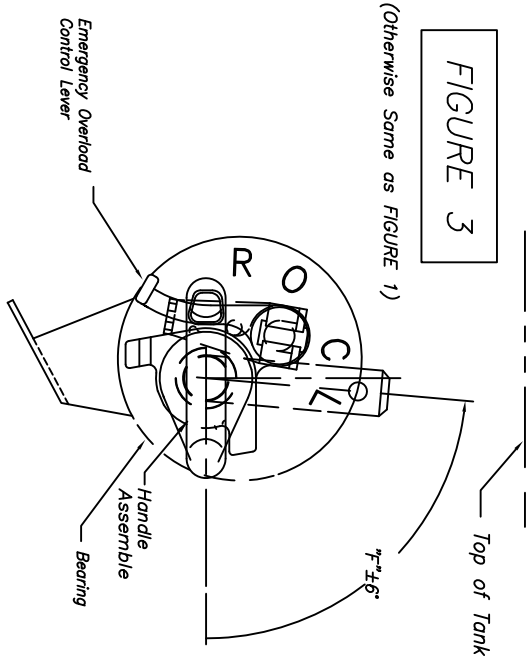


FIGURE 2

(Otherwise Same as FIGURE 1)

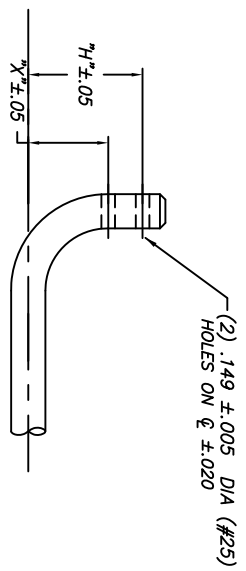


FIG	"H"	"X"	OTHERWISE SAME AS
04	1.75	1.38	F01
05	1.75	1.38	F03
06	2.00	1.50	F03
07	2.00	1.45	F08

ERMCO COMPONENTS INC

UNLESS OTHERWISE SPECIFIED, TOLERANCES ARE

SURFACES	2 PL DEC	3 PL DEC	ANGLES
✓	±	±	± DEG

FIRST MADE FOR

32B928010

CONT ON SH 4

SH 3

OUTLINE (OPERATING DETAIL)

Replaces 32B928005, 32B928006, B25511006, & 32B928004

Operating Detail

REVISIONS		APPROVAL	ECI	PRINTS
1	STULPIN 28-JAN-99 UPDATED TEMPLATE			
2	STULPIN 17-AUG-00 ROTATED HANDLE 180 DEG ON FIG 3 ; ECN F611			
3	GILLAND 1-SEPT-01 REPLACE BEARING WITH NEW DESIGN; ECNF730			
16	Nicholas Adams 10/26/07 Added ZM8999, 9099, 9199, 9299. ECN B372			
17	Nicholas Adams 11/06/07 Added 7574ZM9499 ECN B374			
18	N. Adams 6/24/09 Added Cat. # 7574ZM9699 ECN B482			
19	N. Adams 03/10/10 ADDED CAT#7574ZM9799 & 7574ZM9899 ECN#F1045			
MADE BY: K. Carroll 22-April-97				
ISSUED BY: N. Adams 03/10/10				
32B928010				
SH 3				

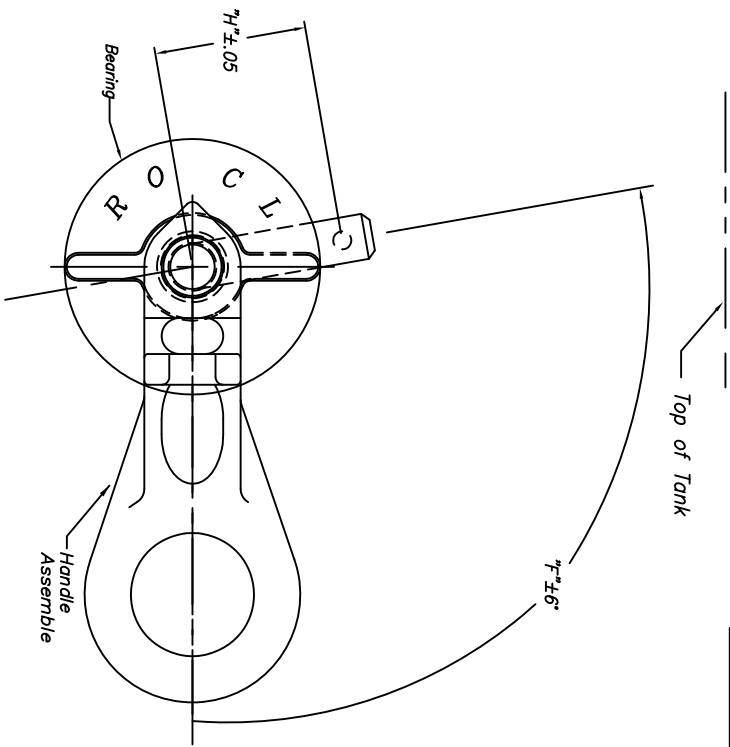


FIGURE 8

(Otherwise Same as FIGURE 1)

UNLESS OTHERWISE SPECIFIED, TOLERANCES ARE:			
SURFACES	±	±	±
2 PL DEC	3 PL DEC	ANGLES	DEG
✓	±	±	±
TITLE OUTLINE (OPERATING DETAIL)		FIRST MADE FOR Replaces 32B928005, 32B928006, B2551J106, & 32B928004	
32B928010		Operating Detail	
SH 4		CONT ON SH 5	

REVISIONS	
1	STULPIN 28-JAN-99 UPDATED TEMPLATE
16	Nicholas Adams 10/26/07 Added ZM8999, 9099, 9199, 9299. ECN B372
17	Nicholas Adams 11/06/07 Added 7574ZM9499 ECN B374
18	N. Adams 6/24/09 Added Cat. # 7574ZM9699 ECN B482
19	N. Adams 03/10/10 ADDED CAT#7574ZM9799 & 7574ZM9899 ECN#F1045

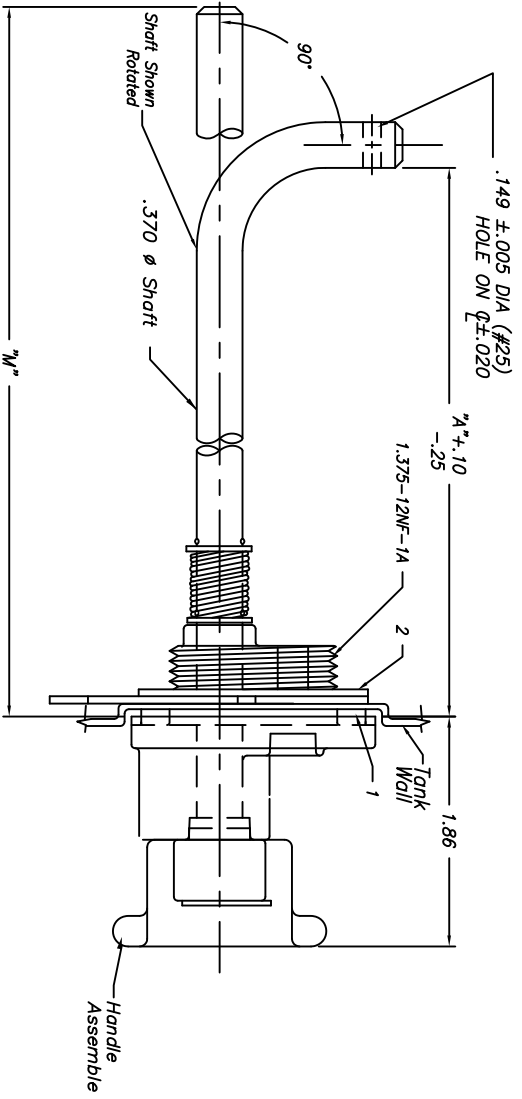
MADE BY: K. Carroll	22-April-97
ISSUED BY: N. Adams	03/10/10
APPROVALS	
ECI	
CONT ON SH 5	32B928010
SH 4	



UNLESS OTHERWISE SPECIFIED, TOLERANCES ARE			
SURFACES	±	2 PL DEC	±
ANGLES	±	3 PL DEC	±
DEG	±	DEG	±

TITLE
OUTLINE (OPERATING DETAIL)
 FIRST MADE FOR
 Operating Detail
 Replaces 32B928005, 32B928006, B255J1106, & 32B928004

32B928010
 CONT ON SH 6
 SH 5



Customer to Bend & Drill Straight Shaft
 After Determining Correct "A" & "H" Dim

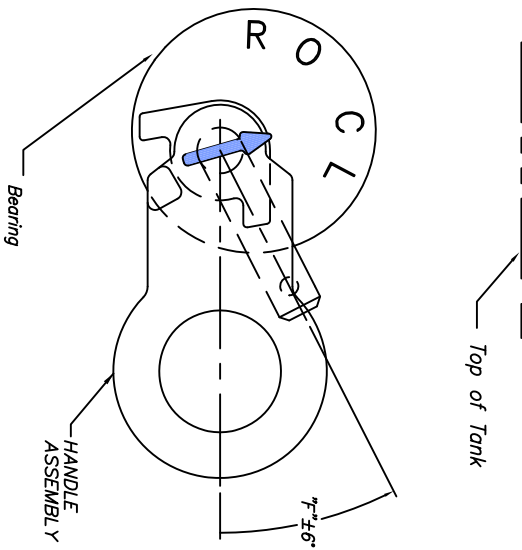


FIGURE 9

(Otherwise Same as FIGURE 1)

REVISIONS	
1	K. Carroll 08-May-98 Added Sheet 6 ECN #F347
2	STULPIN 28-JAN-99 UPDATED TEMPLATE
3	GILLAND 1-SEPT-01 REPLACE BEARING WITH NEW DESIGN; ECNF717
16	Nicholas Adams 10/26/07 Added ZM8999, 9099, 9199, 9299. ECN B372
17	Nicholas Adams 11/06/07 Added 7574ZM9499 ECN B374
18	N. Adams 6/24/09 Added Cat. # 7574ZM9699 ECN B482
19	N. Adams 03/10/10 ADDED CAT#7574ZM9799 & 7574ZM9899 ECN#F1045

MADE BY: K. Carroll 22-April-97
 ISSUED BY: N. Adams 03/10/10

APPROVALS
 ECI

CONT ON SH 6
 32B928010
 SH 5

ERMCO-BTTL
 PRINTS

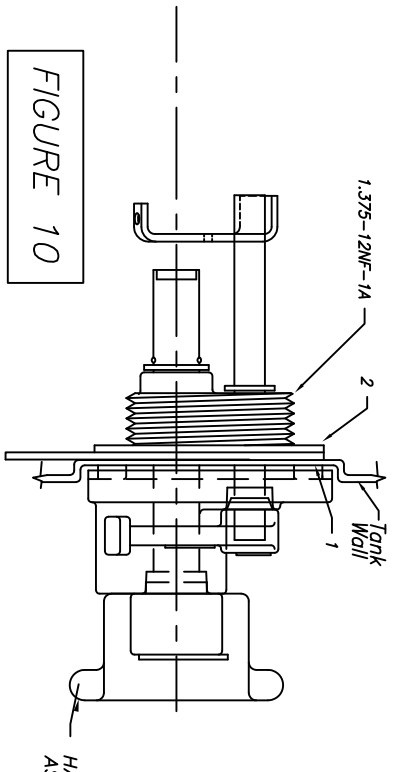


FIGURE 10

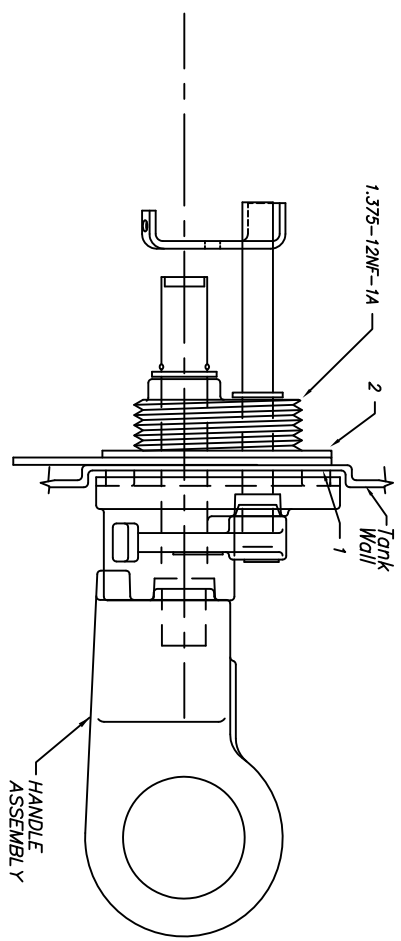
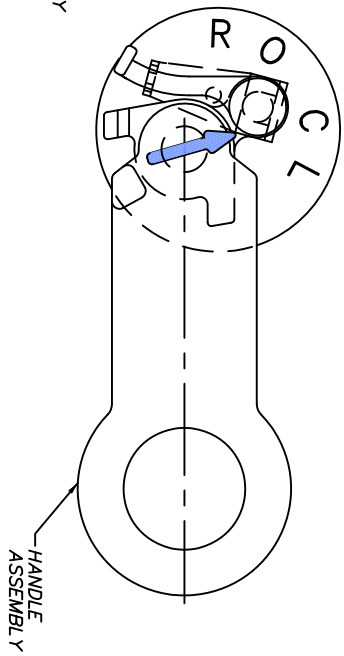
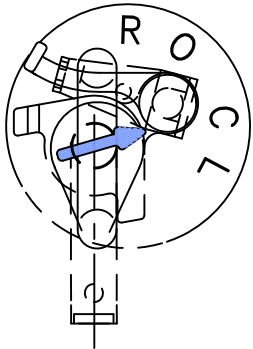


FIGURE 11



HANDLE ASSEMBLY



Top of Tank

		TITLE 32B928010	
UNLESS OTHERWISE SPECIFIED, TOLERANCES ARE:		CONT ON SH SH 6	
SURFACES ✓	± 2 PL DEC	± 3 PL DEC	± ANGLES DEG
FIRST MADE FOR Replaces 32B928005, 32B928006, B2551J106, & 32B928004		Operating Detail	
OUTLINE (OPERATING DETAIL)		SH 6	

REVISIONS	
1	K. Carroll 29-Sept-98 Added F11 ECN #F418
2	STULPIN 28-JAN-99 UPDATED TEMPLATE
3	STULPIN 17-AUG-00 ROTATED HANDLE 180 DEG ECN F611
4	GILLAND 1-SEPT-01 REPLACE BEARING WITH NEW DESIGN; ECNF730
16	Nicholas Adams 10/26/07 Added ZM8999, 9099, 9199, 9299. ECN B372
17	Nicholas Adams 11/06/07 Added 7574ZM9499 ECN B374
18	N. Adams 6/24/09 Added Cat. # 7574ZM9699 ECN B482
19	N. Adams 03/10/10 ADDED CAT#7574ZM9799 & 7574ZM9899 ECN#F1045

MADE BY: K. Carroll 08-May-98 ECN #E347
ISSUED BY: N. Adams 03/10/10

APPROVAL: ECI

32B928010 SH 6

ECI-BTTL
PRINTS