



TITLE

OUTLINE (OVERLOAD SWITCH ASM)

CONT ON SH

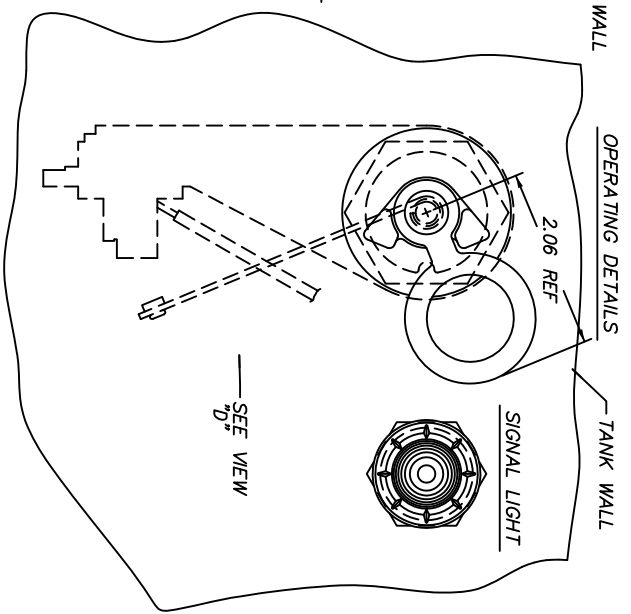
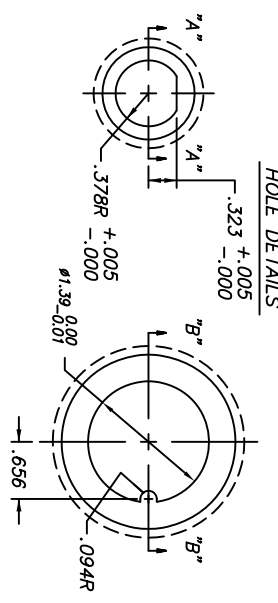
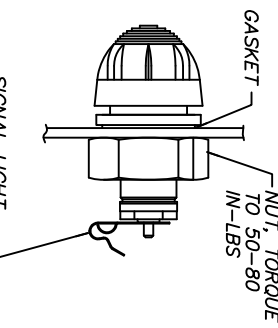
32B928009 SH 1

UNLESS OTHERWISE SPECIFIED, TOLERANCES ARE	±	±	±
SURFACES	2 PL DEC	3 PL DEC	ANGLES
			± DEG

FIRST MADE FOR

SIGNAL LIGHT SWITCH

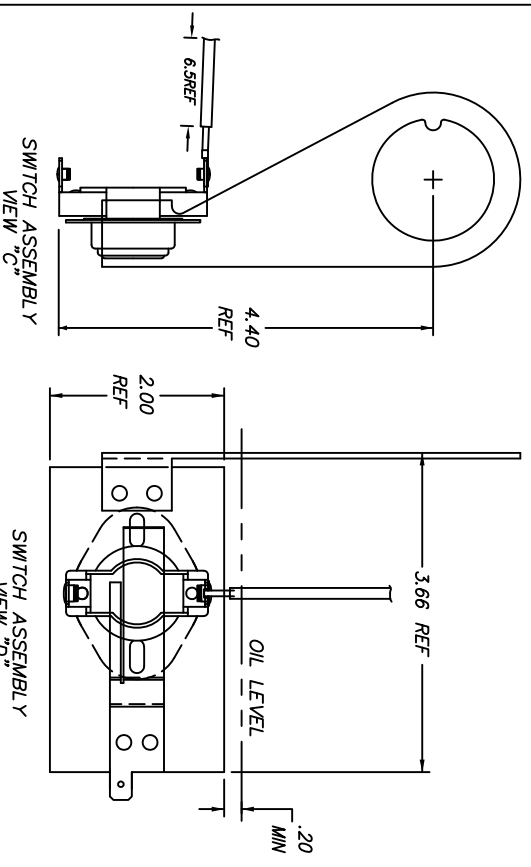
HOLE DETAILS



Model Number 7591ZB1099 WITH SIGNAL LIGHT

Model Number 7591ZB1399 WITHOUT SIGNAL LIGHT

- NOTES:
1. SWITCHES CLOSES AT 110°C ±4°C
  2. REPEATED MANUAL CLOSING OF THE SWITCH (I.E. BY SNAPPING THE BIMETALLIC DISC.) CAN CAUSE CALIBRATION CHANGE.
  3. IT IS RECOMMENDED THAT THE DEVICE BE MOUNTED WITH THE UPPER EDGE OF THE SUPPORT NO MORE THAN 1" BELOW THE OIL LEVEL.
  4. TERMINAL CONNECTION ARE TO BE MADE TO SCREW TERMINALS ONLY



REVISIONS	
1	G.DAVIS FEB 22,1991 ADD 7591ZB1199
2	D.KANUPP 7/27/94 ADD SHT 2
3	S.A. WILSON 26 OCT 95 ADD NOTE 3 (ECN# F55)
4	J.S.Jones 29 Apr 97 Chg Dim ECN # F169
5	STULPIN 29-JAN-99 UPDATED TEMPLATE
6	GILLAND 9/30/06 UPDATED SIGNAL LITE MOUNT HOLE DIMENSIONS
7	N. Adams 10/01/04 Updated Template Border
8	N. Adams 04/29/05 Added in new switch design ECN B189
9	N. Adams 07/31/06 Updated signal light nut ECN B286
10	N. Adams 11/30/09 Chg sh 2 to match current orientation ECN B286
11	N. Adams 12/14/09 Remove sheet 2 ECN B519

ERMCO-B72  
PRTS  
10  
32B928009 SH 1