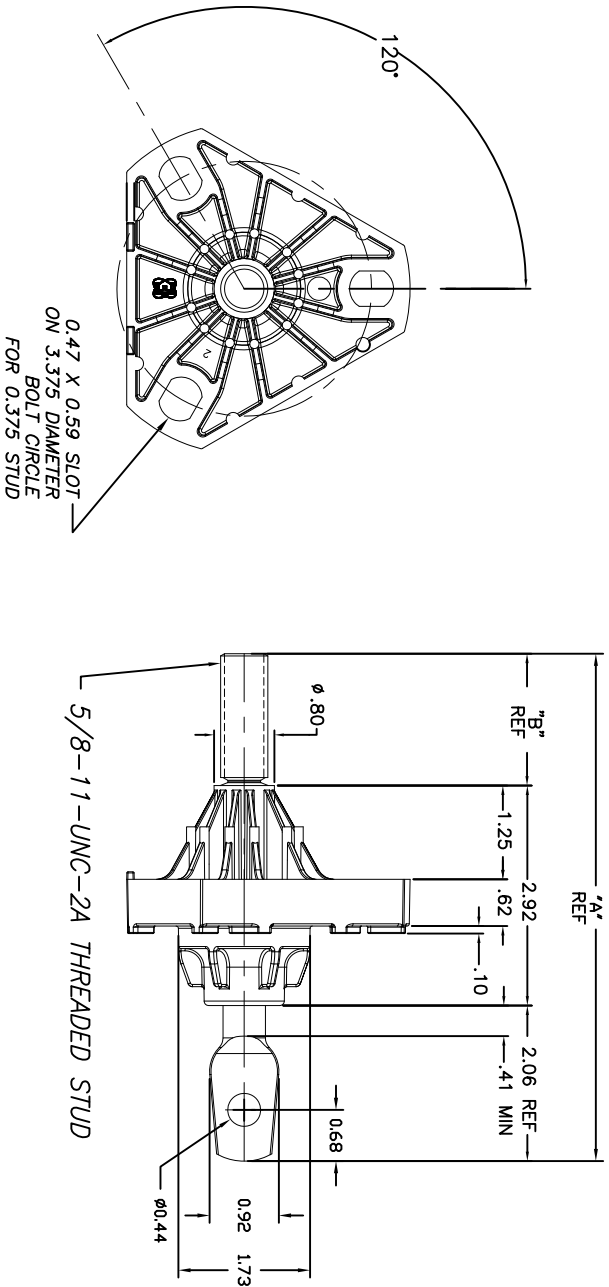
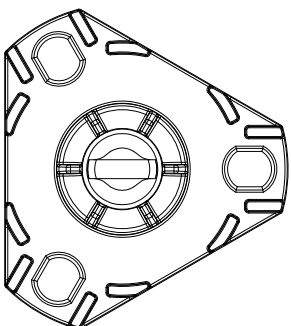
 <b>ERMCO COMPONENTS, INC</b>			TITLE <b>3 2B098015F01</b> SH		
UNLESS OTHERWISE SPECIFIED, TOLERANCES ARE SURFACES ± 2 PL DEC ANGLES ± 3 PL DEC DEG ± DEG			FIRST MADE FOR <b>OUTLINE (TRICLAMP 5/8 STUD THERMOPLASTIC)</b> <b>LV BUSHING</b>		



MODEL NUMBER	DESCRIPTION	"A"	"B"
9U10BAA002	w/gasket and nut (200/barrel)	6.73	1.75
9U10BAA003	w/gasket (50/box)	6.73	1.75
9U10BAA004	w/gasket and nut (50/box)	6.73	1.75
9U10BAA005	w/gasket and nut	7.24	2.19
2A956001P11	gasket		
N211P33	5/8-11 brass nut		



Dimensions in inches

REVISIONS		APPROVAL	ECI	COMT ON SH	PRINTS TO SH
1	STULPIN 26-MAR-01 ADDED TABLE ECN F670				
2	N. Adams 4/19/06 Added 9U10BAA004 to list. ECN F995				
3	N. Adams 4/20/06 Removed 9U10BAA002 ECN F996				
4	N. Adams 12/07/07 Add 9U10BAA002 & 003 ECN B377				

MADE BY: S. STULPIN 14-SEPT-00  
 REISSUED BY: Nicholas Adams 12/07/07

3 2B098015 SH