

ERMCO COMPONENTS, INC

TITLE

B2551J102
SH 1

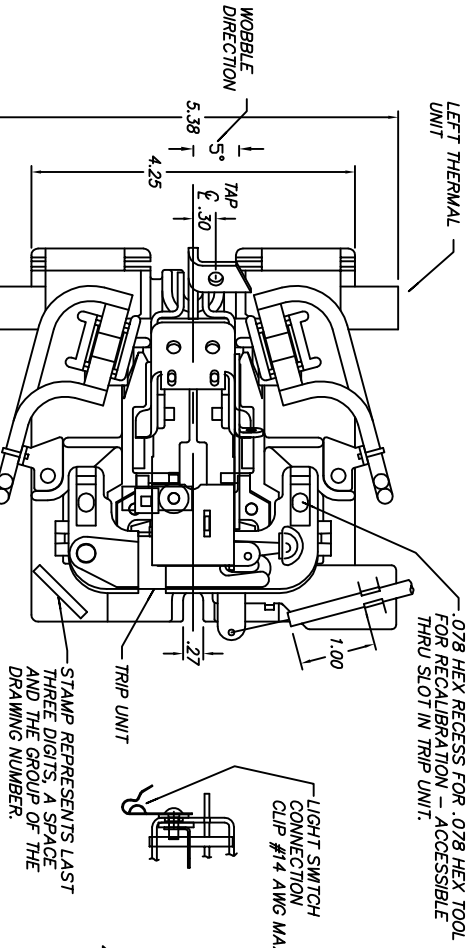
CONT ON SH 2

OUTLINE (CIRCUIT BREAKER - OEM)

FIRST MADE FOR 65" Iq AHT-1 WITH LIGHT SWITCH

UNLESS OTHERWISE SPECIFIED, TOLERANCES ARE:
SURFACES 2 PL DEC 3 PL DEC ANGLES ± DEG

- NOTES:
1. FOR SHORT TIME BREAKER CHARACTERISTICS
2. SEE DRAWING 187HB839
3. LEAD LENGTHS AVAILABLE IN ONE INCH INCREMENTS FROM 8.00" TO 25.00"



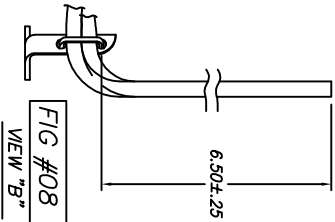
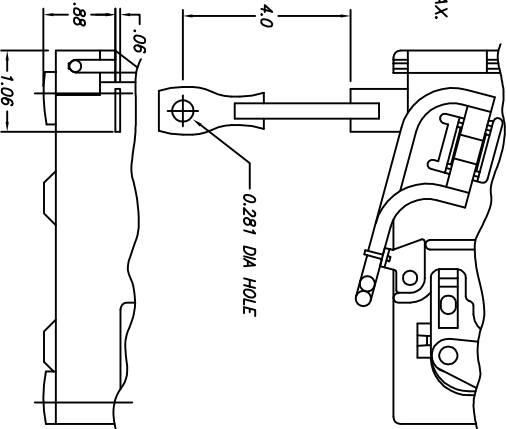
#8-40 PHILLIPS HEAD ADJUSTMENT SCREW, TO REDUCE TRIP TIME OF LIGHT SWITCH. TURN SCREW CLOCKWISE TO INCREASE TRIP TIME; TURN SCREW COUNTERCLOCKWISE.

ADJUSTMENT SCREW
CALIBRATION

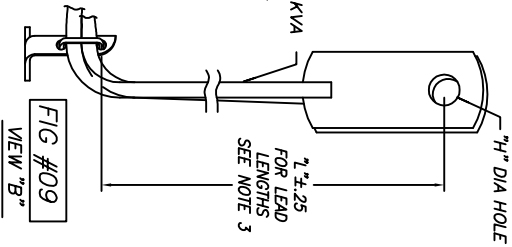
SPACING FOR .250 DIA MOUNTING SCREWS

AHT-1 WITH SIGNAL LIGHT OR EMERGENCY OVERLOAD CONTROL

FIG #01



- (1) CABLE 5-7.5 KVA
- (2) CABLES 10 KVA & ABOVE



REVISIONS	
1	G. BRYANT 04/19/96 CONVERTED TO ACAD
2	STULPIN 28-JAN-99 UPDATED TEMPLATE
3	STULPIN 29-OCT-99 ROTATED CABLE CLIP 90° ECN F534
4	STULPIN 21-JUL-00 CHG THERMAL LEAD DIRECTION ECN NONE
5	N. Adams 7/24/06 Removed Pressboard Barrier

MADE BY: G. DAVIS JUNE 07, 1988	APPROVAL:	ECI	CONT ON SH 2
ISSUED BY: Nicholas Adams 7/24/06			B2551J102
			SH 1



B2551J102
SH 2

CONT ON SH 3

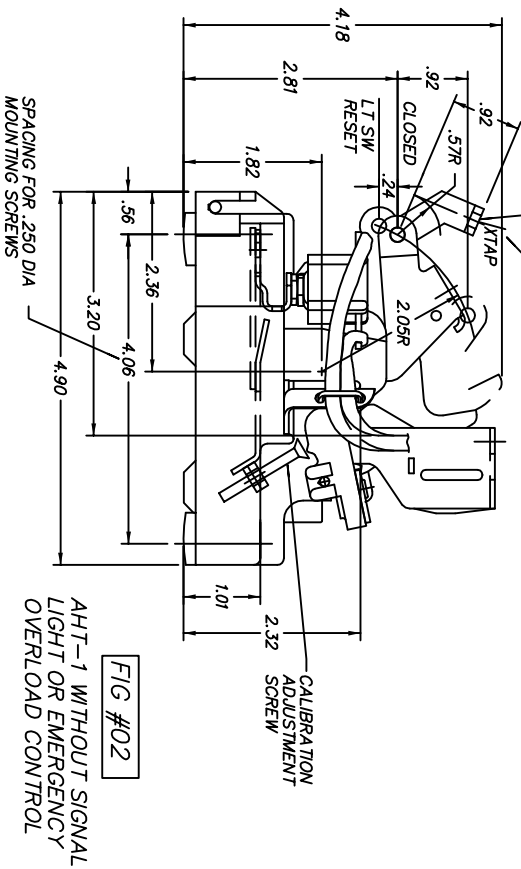
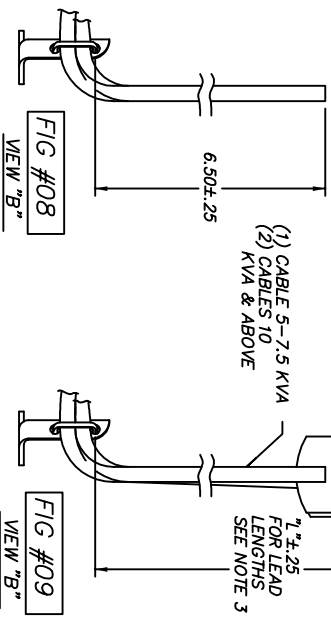
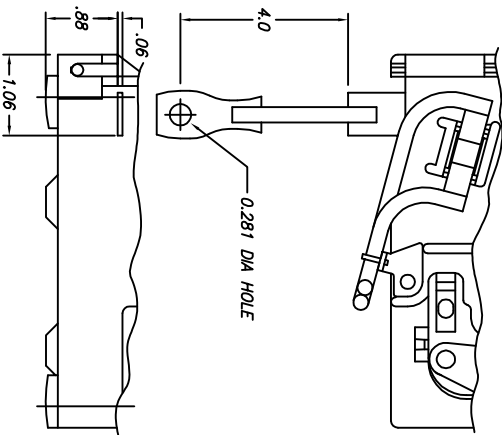
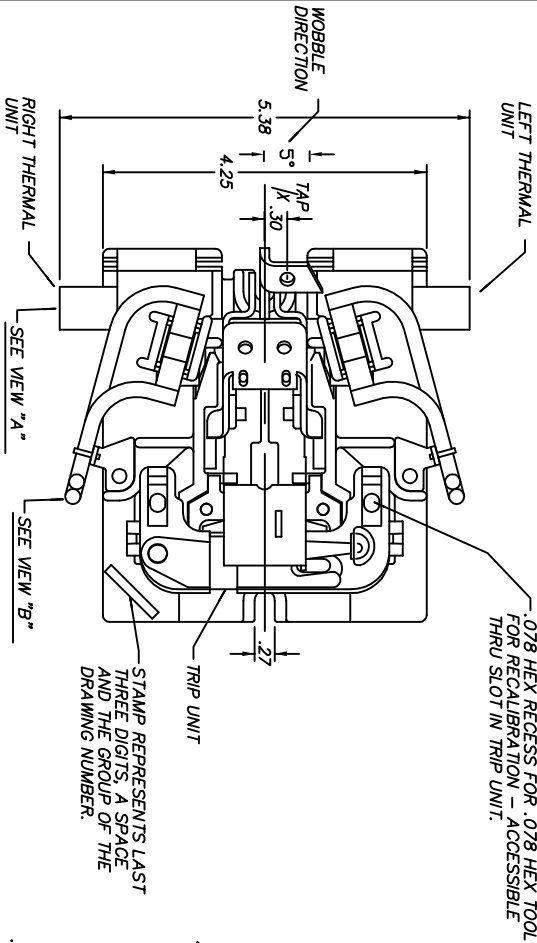
OUTLINE (CIRCUIT BREAKER - OEM)

65" I/AHT-1 WITHOUT LIGHT SWITCH

UNLESS OTHERWISE SPECIFIED, TOLERANCES ARE			
SURFACES	±	PL DEC	±
ANGLES	±	PL DEC	±
DEG			

FIRST MADE FOR

- NOTES:
1. FOR SHORT TIME BREAKER CHARACTERISTICS SEE DRAWING 187HB839
 2. FOR CALIBRATION DATA SEE DRAWING A2541K067.
 3. LEAD LENGTHS AVAILABLE IN ONE INCH INCREMENTS FROM 8.00" TO 25.00"



REVISIONS		DATE	BY	REASON
1	G. BRYANT 05/17/96			Converted to CAD no chg.
2	STULPIN 28-JAN-99			UPDATED TEMPLATE
3	STULPIN 21-JUL-00			CHG THERMAL LEAD DIRECTION ECN: NONE
5	N. Adams 7/24/06			Removed Pressboard Barrier

MADE BY:	G. DAVIS JUNE 07, 1988
DESIGNED BY:	Nicholas Adams 7/24/06
APPROVAL	
ECI	
CONT ON SH 3	B2551J102
SH 2	PRINTS TO

ERMCO COMPONENTS, INC

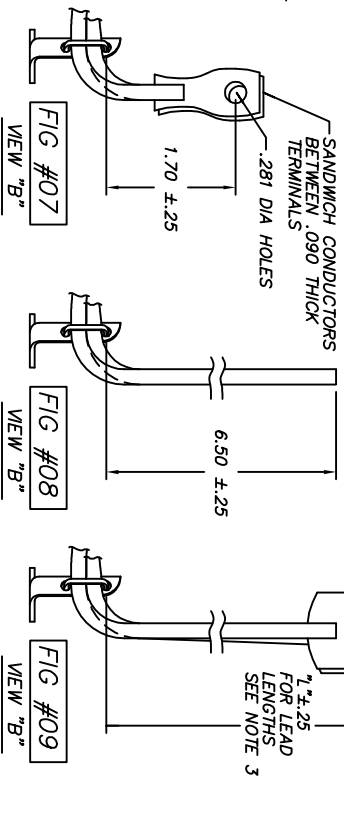
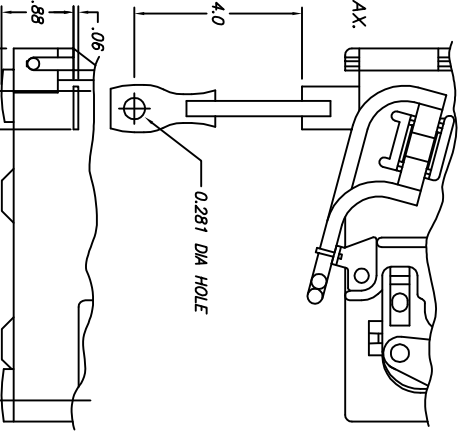
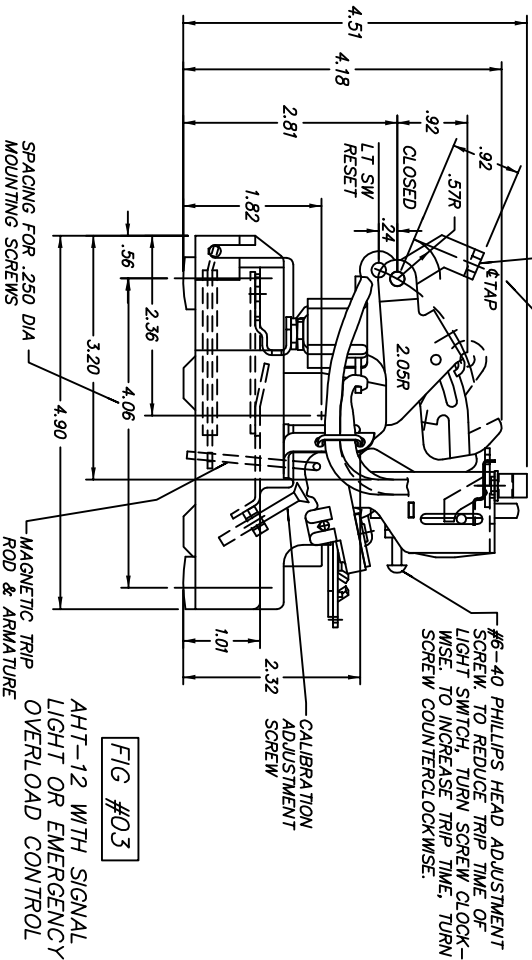
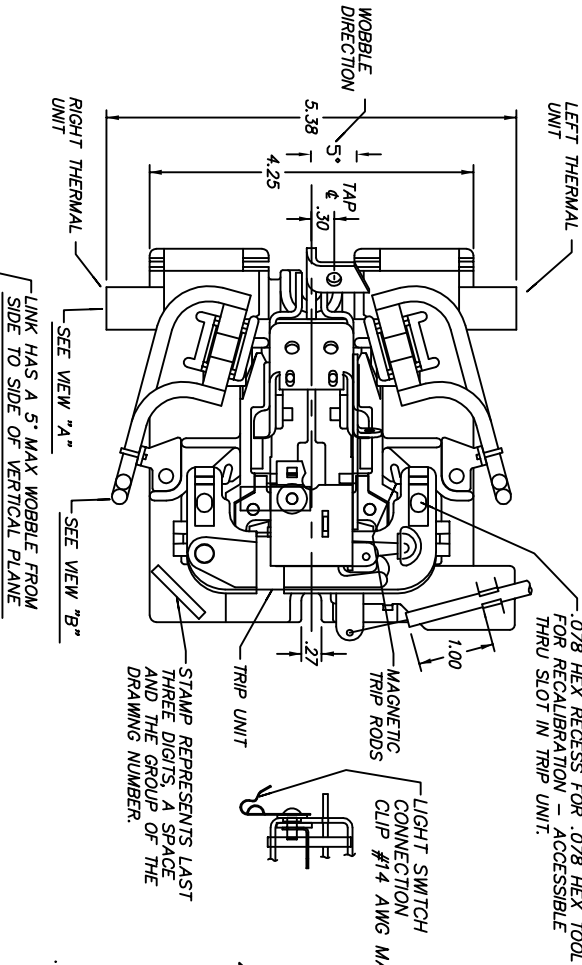
UNLESS OTHERWISE SPECIFIED, TOLERANCES ARE:
 SURFACES ± 0.005
 2 PL DEC ± 0.005
 3 PL DEC ± 0.005
 ANGLES DEG

TITLE: **B 2551J102**
 CONT ON SH 4 SH 3

OUTLINE (CIRCUIT BREAKER - OEM)

FIRST MADE FOR: 65" C AHT-12 WITH LIGHT SWITCH

- NOTES:
1. FOR SHORT TIME BREAKER CHARACTERISTICS SEE DRAWING 187HB39
 2. FOR CALIBRATION DATA SEE DRAWING A254IK067
 3. LEAD LENGTHS AVAILABLE IN ONE INCH INCREMENTS FROM 8.00" TO 25.00"



REVISIONS		APPROVAL	
1	STULPIN 28-JAN-99 UPDATED TEMPLATE		
2	STULPIN 21-JUL-00 CHC THERMAL LEAD DIRECTION FCN: NONE		
5	N. Adams 7/24/06 Removed Pressboard Barrier		
DATE BY:	G. DAVIS, JUNE 07, 1988	ECI	B 2551J102
REISSUED BY:	Nicholas Adams 7/24/06		CONT ON SH 4 SH 3

UNLESS OTHERWISE SPECIFIED, TOLERANCES ARE:
 SURFACES: 2 PL DEC 3 PL DEC
 ANGLES: DEG

SH 4
 B 2551J102
 CONT ON SH 5
 TITLE: OUTLINE (CIRCUIT BREAKER - OEM)
 FIRST MADE FOR: 65" C AHT-12 WITHOUT LIGHT SWITCH

NOTES:
 1. FOR SHORT TIME BREAKER CHARACTERISTICS SEE DRAWING 187HB839
 2. FOR CALIBRATION DATA SEE DRAWING A2541K067.
 3. LEAD LENGTHS AVAILABLE IN ONE INCH INCREMENTS FROM 8.00" TO 25.00"

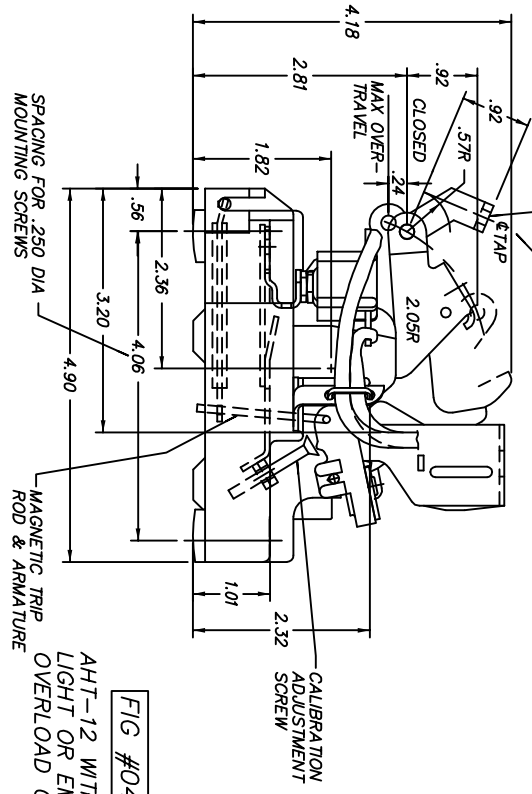
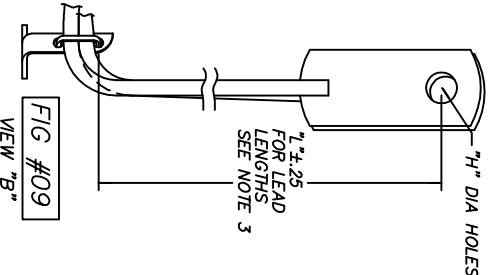
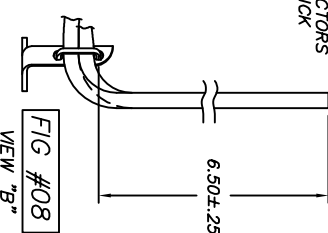
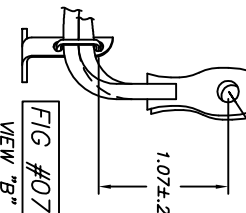
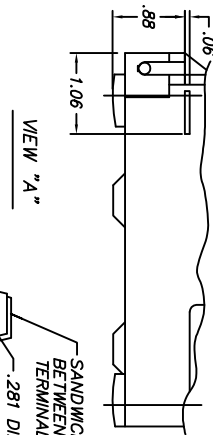
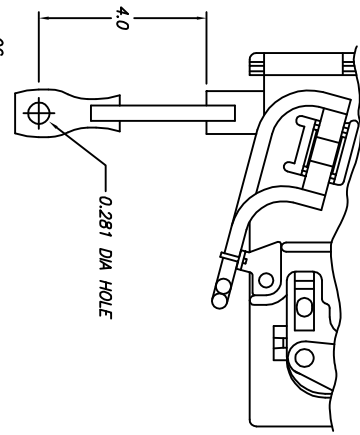
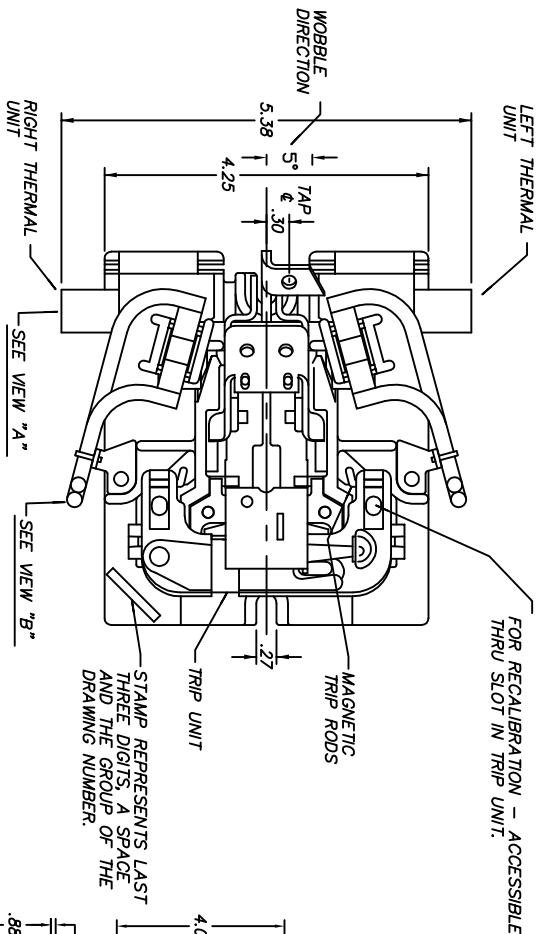


FIG #04

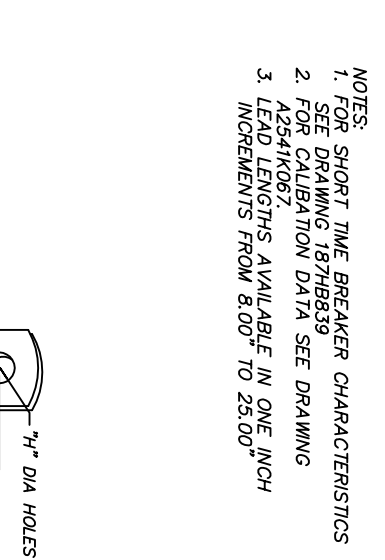
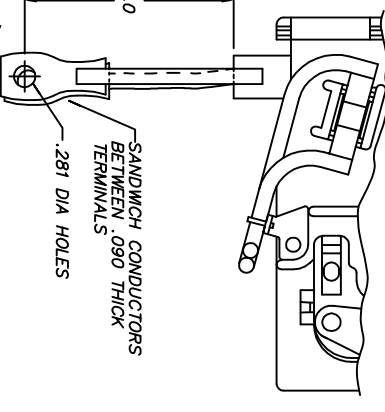
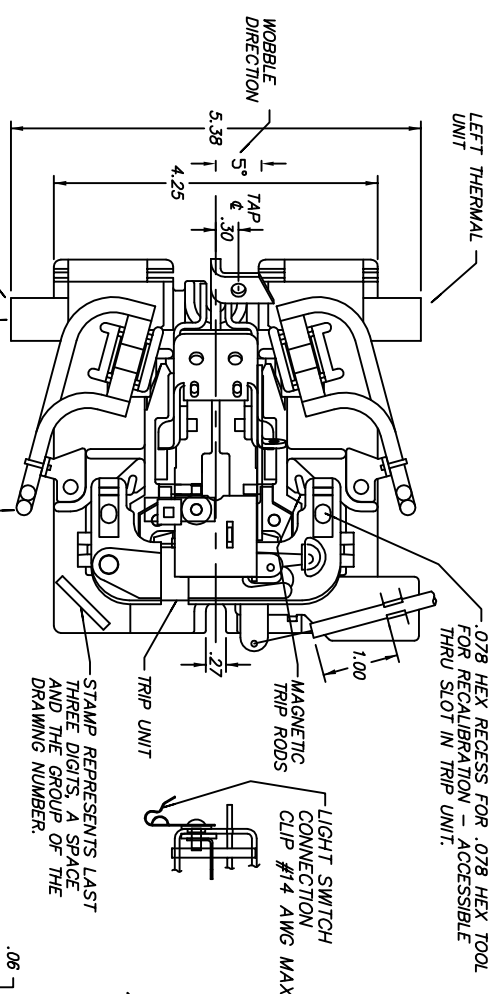
AHT-12 WITHOUT SIGNAL LIGHT OR EMERGENCY OVERLOAD CONTROL

REVISIONS			APPROVAL	ECI	CONT ON SH 5	B 2551J102	SH 4
NO	DATE	DESCRIPTION					
1	STULPIN 28-JAN-99	UPDATED TEMPLATE					
2	STULPIN 21-JUL-00	CHG THERMAL LEAD DIRECTION ECN: NONE					
5	N. Adams 7/24/06	Removed Pressboard Barrier					
MADE BY: G.DAVIS JUNE 07, 1988							
REISSUED BY: Nicholas Adams 7/24/06							
PRINTS TO							
ECI-V							



UNLESS OTHERWISE SPECIFIED, TOLERANCES ARE
 SURFACES ± 2 PL DEC 3 PL DEC ANGLES
 ± DEG

TITLE
B 2551J102
 SH 5
OUTLINE (CIRCUIT BREAKER - OEM)
 FIRST MADE FOR 65°C AHT-12 WITH LIGHT SWITCH



- NOTES:
 1. FOR SHORT TIME BREAKER CHARACTERISTICS SEE DRAWING 187HB839
 2. FOR CALIBRATION DATA SEE DRAWING A2541K067
 3. LEAD LENGTHS AVAILABLE IN ONE INCH INCREMENTS FROM 8.00" TO 25.00"

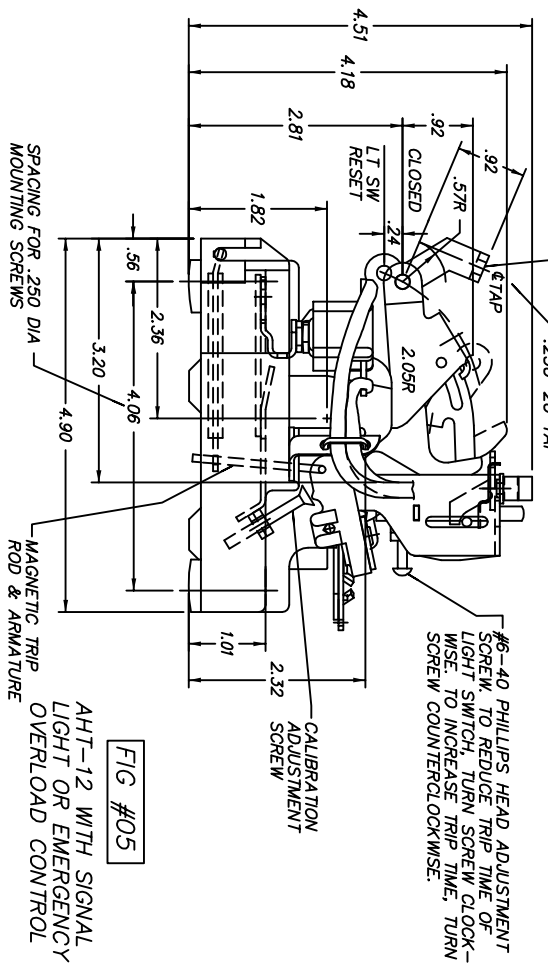
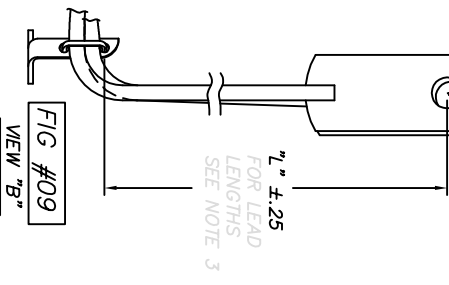
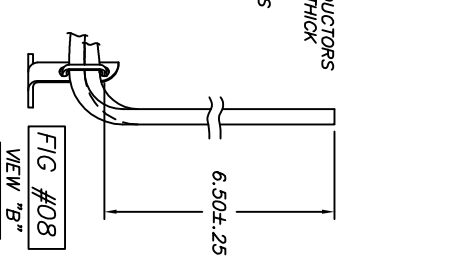
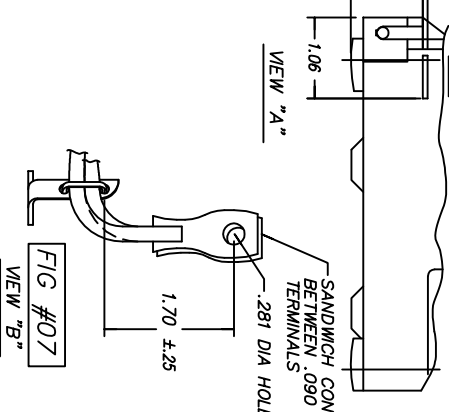


FIG #05

AHT-12 WITH SIGNAL LIGHT OR EMERGENCY OVERLOAD CONTROL



REVISIONS		DATE	BY	APPROVAL	ECI	COMMENTS
1	STULPIN 28-JAN-99		G.DAVIS			UPDATED TEMPLATE
2	STULPIN 29-OCT-99					ROTATED CABLE CLIP 90° ECN F534
3	STULPIN 21-JUL-00					CHG THERMAL LEAD DIRECTION ECN: NONE
5	N. Adams 7/24/06					Removed Pressboard Barrier

MADE BY: G.DAVIS JUNE 07, 1988
 REISSUED BY: Nicholus Adams 7/24/06

APPROVAL: [Signature]

ECI: [Signature]

COMMENTS: B 2551J102 SH 5

UNLESS OTHERWISE SPECIFIED, TOLERANCES ARE:
SURFACES: 2 PL DEC ± .005
ANGLES: 3 PL DEC ± .0625

TITLE: **OUTLINE (CIRCUIT BREAKER - OEM)**
FIRST MADE FOR: **65°C AHT-12 WITHOUT LIGHT SWITCH**

- NOTES:
1. FOR SHORT TIME BREAKER CHARACTERISTICS SEE DRAWING 1874B839
2. FOR CALIBRATION DATA SEE DRAWING A234TK067
3. LEAD LENGTHS AVAILABLE IN ONE INCH INCREMENTS FROM 8.00" TO 25.00"

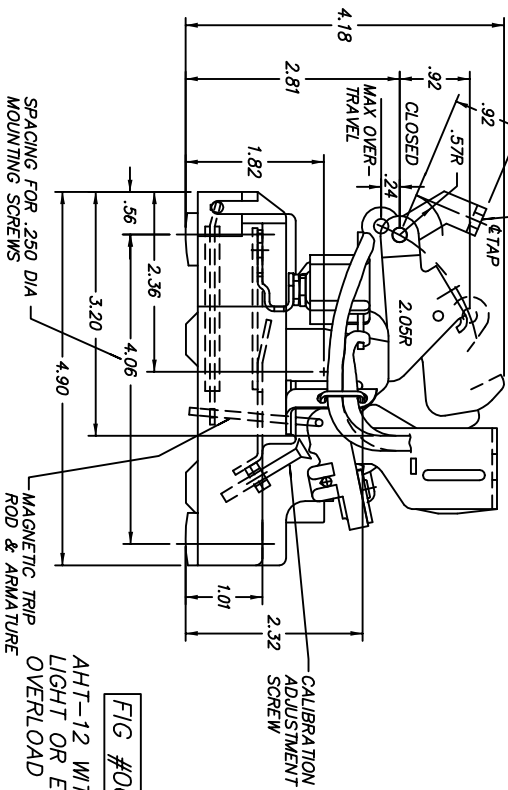
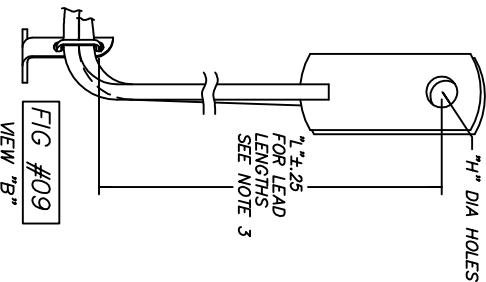
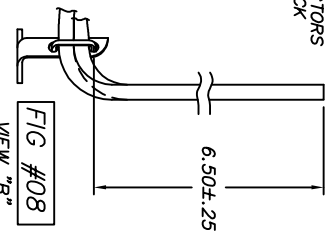
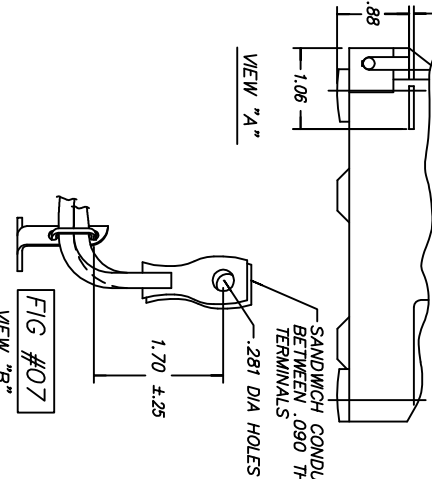
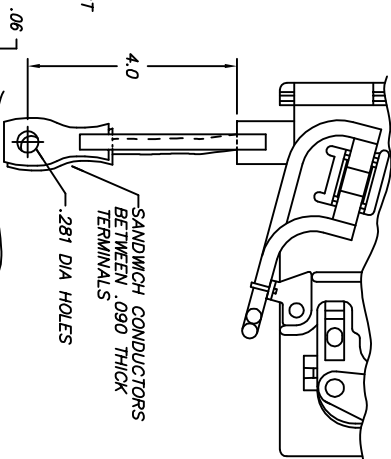
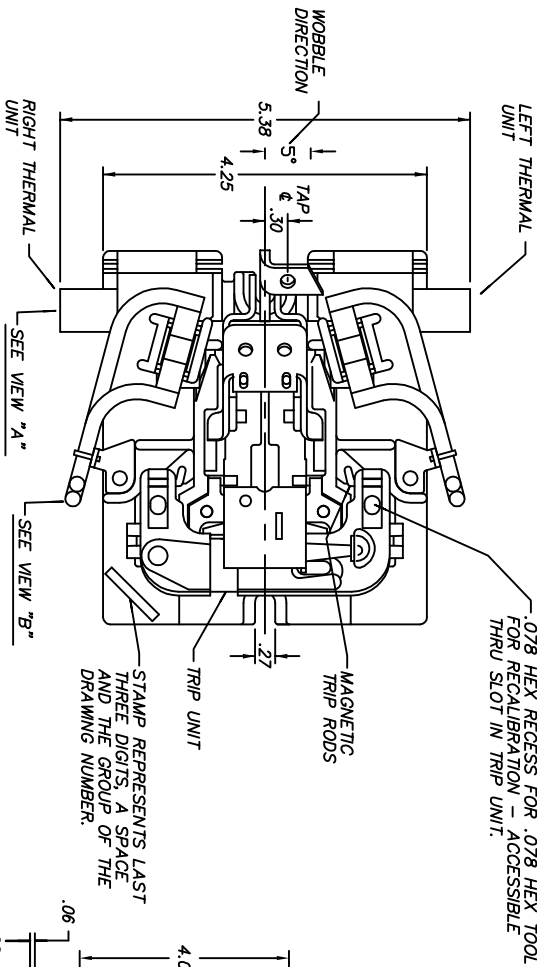


FIG #06

AHT-12 WITHOUT SIGNAL LIGHT OR EMERGENCY OVERLOAD CONTROL

REVISIONS

NO	DATE	BY	DESCRIPTION
1	28-JAN-99	STULPIN	UPDATED TEMPLATE
2	21-JUL-00	STULPIN	CHG THERMAL LEAD DIRECTION ECN: NONE
5	7/24/06	N. Adams	Removed Pressboard Barrier

APPROVAL

ECI

CONT ON SH

B 2551J102
SH 6