

# CAUTION

**SWITCH FOR TESTING TRANSFORMER ONLY!  
DO NOT FIELD OPERATE!  
DE-ENERGIZE BEFORE OPERATING!**

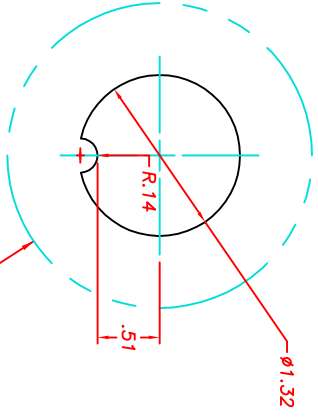
- OPEN SWITCH ONLY WHEN TRANSFORMER IS DE-ENERGIZED. FAILURE TO COMPLY MAY RESULT IN PERSONAL INJURY.
- ARRESTER DISCONNECT SWITCH MUST BE OPEN BEFORE DIELECTRIC TESTING OF TRANSFORMER TO PREVENT MISLEADING RESULTS AND POSSIBLE ARRESTER DAMAGE.
- TO OPEN SWITCH, UNSCREW PIPE PLUG, PULL PLUG OUT TO STOP (APPROX. 2.5"). THIS DISCONNECTS THE ARRESTER TO GROUND.
- TO CLOSE REVERSE THE ABOVE PROCEDURE.

32A703026P01

## DECAL

### NOTICE

TO ASSURE FULL BIL. THE PISTON MUST BE IN THE WITHDRAWN POSITION AND THE TUBE FILLED WITH OIL. DURING TRANSFORMER INSULATION TESTING, AFTER TESTING APPLY LOCTITE (NOT PROVIDED) TO THE SHAFT THREADS AND SCREW INTO THE PISTON UNTIL SEATED. PUSH IN THE PLUG/SHAFT UNTIL THE PLUG ENGAGES AND SCREW INTO FLANGE. NOTE THAT THE PLUG MUST HAVE TEFLOON TAPE OR OTHER THREAD SEALANT.



MOUNTING HOLE DETAIL

- NOTES:
1. TORQUE LOCK NUT TO 150 INCH POUNDS.
  2. LOCKNUT, GASKET AND PLUG ASSEMBLY SHIPPED UNASSEMBLED.
  3. LOCATE DECAL ON TANK ADJACENT TO DISCONNECTOR.

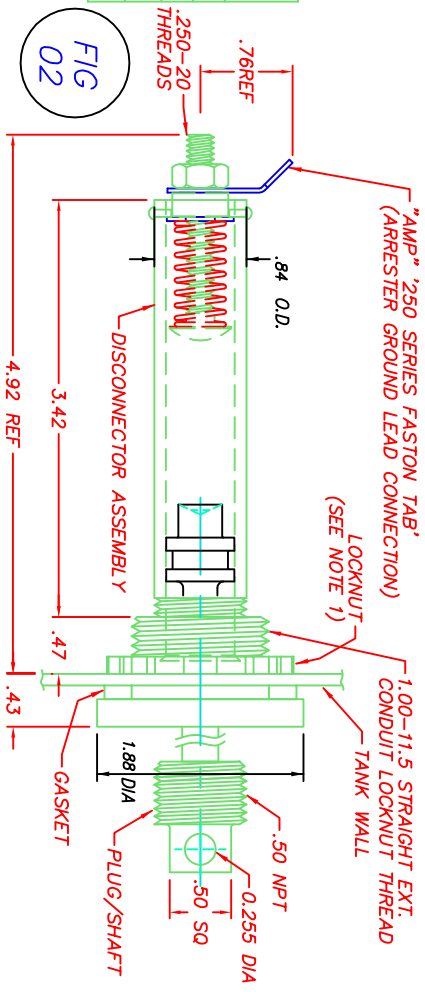
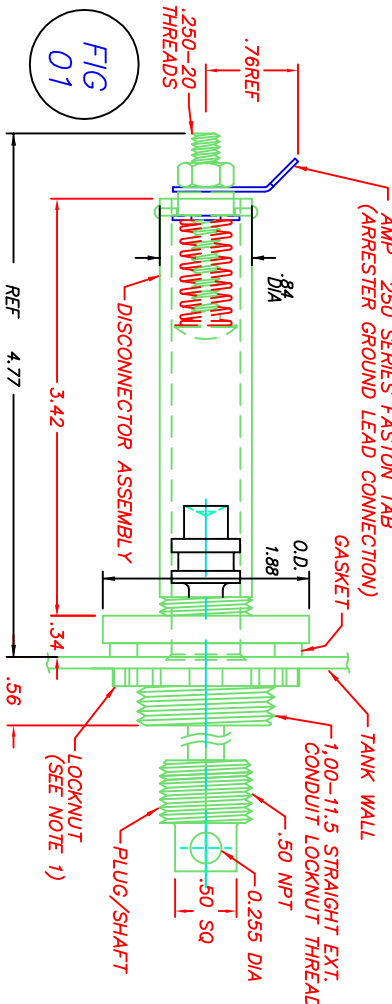
CATALOG NUMBER	DESCRIPTION
4399ZF0199	LOCKNUT
5111ZF0199	GASKET
7529ZA0399	PLUG/SHAFT
5219ZF0199	DECAL

CATALOG NUMBER	FIG	TYPE	ASM.	DECAL SUPPLIED	FASTON TERMINAL
7529ZA0899	01	PAID	ASM.	YES	YES
7529ZA0999	02	POLE	ASM.	YES	YES
7529ZA1099	03	POLE	ASM.	YES	NO
7529ZA1199	04	PAID	ASM.	YES	NO



UNLESS OTHERWISE SPECIFIED, TOLERANCES ARE:  
SURFACES 2 PL DEC ±  
ANGLES DEG ±  
DEG ±

TITLE: **OUTLINE (ARRESTER DISCONNECTOR SWITCH)**  
FIRST MADE FOR: (UNDER OIL ARRESTER DISCONNECT SWITCH)  
32B708002 SH 1



REVISIONS	
1	G.DAVIS SEPT. 14, 1988 CHG LABEL TEXT "DO NOT OPERATE"
2	G.DAVIS OCT. 18, 1988 ADD 0499;0599 CAT No's
3	G.DAVIS NOV. 10, 1988 CHG DEL "AMP" TERM
4	R.JERGENSEN 9/20/93 ADD 0699 CAT No
5	A.B.D. 06MAR95 ADD 0799;0899;0999
6	G.BRYANT 1/22/96 ECN#R10 ADDED SH. 2
7	K. CARROLL 25-3-96 ECN# R21 CHG CAT. TABLE
8	K. Carroll 20-Nov-96 Updated Caution Decal ECN# R54A
9	K. Carroll 21-Nov-97 Chg Delin. of Piston ECN #R73 Chg del of nut both fig's
10	STULPIN 08-MAR-99 UPDATED TEMPLATE
11	N. Adams 11/23/05 Added 0.255 hole ECN B216

DATE BY: G.DAVIS JAN. 05, 1988	APPROVALS:	ECI:	32B708002
REISSUED BY: Nicholas Adams 11/23/05			CONT ON SH 2

# CAUTION

**SWITCH FOR TESTING TRANSFORMER ONLY!  
DO NOT FIELD OPERATE!  
DE-ENERGIZE BEFORE OPERATING!**

- OPEN SWITCH ONLY WHEN TRANSFORMER IS DE-ENERGIZED. FAILURE TO COMPLY MAY RESULT IN PERSONAL INJURY.
- ARRESTER DISCONNECT SWITCH **MUST BE OPEN BEFORE** DIELECTRIC TESTING OF TRANSFORMER TO PREVENT MISLEADING RESULTS AND POSSIBLE ARRESTER DAMAGE.
- TO OPEN SWITCH, UNSCREW PIPE PLUG, PULL PLUG OUT TO STOP (APPROX. 2.5"). THIS DISCONNECTS THE ARRESTER GROUND.
- TO CLOSE REVERSE THE ABOVE PROCEDURE.

32A703026P01

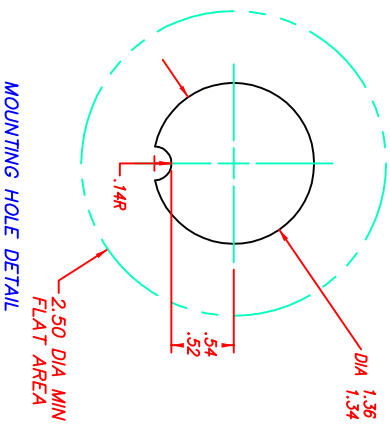
## DECAL

## NOTICE

TO ASSURE FULL BIL THE PISTON MUST BE IN THE WITHDRAWN POSITION AND THE TUBE FILLED WITH OIL DURING TRANSFORMER INSULATION TESTING. AFTER TESTING APPLY LOCITE (NOT PROVIDED) TO THE SHAFT THREADS AND SCREW INTO THE PISTON UNTIL SEATED. PUSH IN THE PLUG/SHAFT UNTIL THE PLUG ENGAGES AND SCREW INTO FLANGE. NOTE THAT THE PLUG MUST HAVE TEFLON TAPE OR OTHER THREAD SEALANT.

CATALOG NUMBER	DESCRIPTION
4399ZFO199	LOCKNUT
5111ZFO199	GASKET
7529ZAO399	PLUG/SHAFT
5219ZFO199	DECAL

- NOTES:
1. TORQUE LOCK NUT TO 150 INCH POUNDS.
  2. LOCKNUT, GASKET AND PLUG ASSEMBLY SHIPPED UNASSEMBLED.
  3. LOCATE DECAL ON TANK ADJACENT TO DISCONNECTOR.



**ERMCO COMPONENTS, INC.**

UNLESS OTHERWISE SPECIFIED, TOLERANCES ARE:  
 SURFACES ± 2 PL DEC  
 ANGLES ± 3 PL DEC  
 DEGS ± 1

TITLE: **OUTLINE (ARRESTER DISCONNECTOR SWITCH)**  
 FIRST MADE FOR: **(UNDER OIL ARRESTER DISCONNECT SWITCH)**

3 2B708002 SH 2  
 CONT ON SH 3

FIG 03

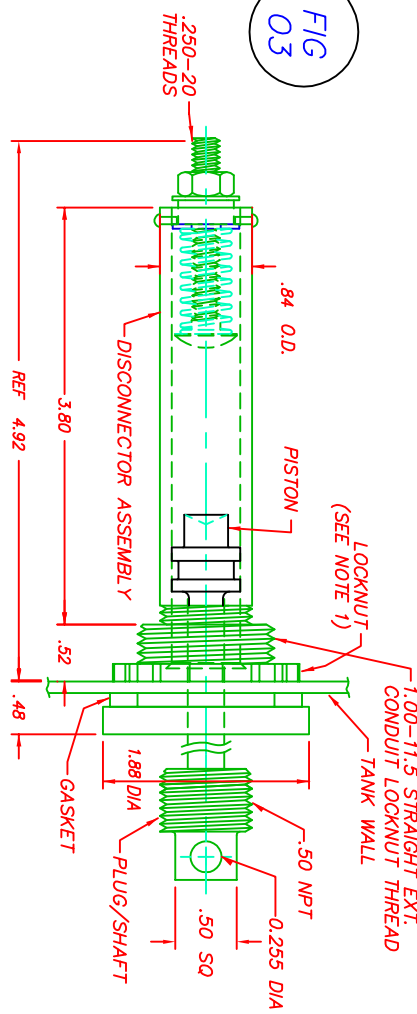


FIG 04

SAME AS FIG 01 WITHOUT EASTON TAB

REVISIONS	
1	K.CARROLL 25-3-96 ECN# R21 ADDED FIG 04
2	K.Carroll 20-Nov-96 Updated Caution Decal ECN# R54A
3	K. Carroll 21-Nov-97 Chg Del. of Piston Chg del of nut ECN #R73
4	STULPIN 08-MAR-99 UPDATED TEMPLATE
5	STULPIN 26-MAR-01 ADDED SHEET 3
11	N. Adams 11/23/05 Added 0.255 hole ECN B216

MADE BY:	G.S.BRYANT JAN. 22, 1996	APPROVAL:	ECI	COMT ON SH	3	3 2B708002 SH 2
REISSUED BY:	Nicholas Adams 11/23/05					

# CAUTION

**SWITCH FOR TESTING TRANSFORMER ONLY!  
DO NOT FIELD OPERATE!  
DE-ENERGIZE BEFORE OPERATING!**

- OPEN SWITCH ONLY WHEN TRANSFORMER IS **DE-ENERGIZED**. FAILURE TO COMPLY MAY RESULT IN PERSONAL INJURY.
- NEUTRAL DISCONNECT SWITCH **MUST BE OPEN BEFORE** DIELECTRIC TESTING OF TRANSFORMER TO PREVENT MISLEADING RESULTS AND POSSIBLE DAMAGE.
- TO OPEN SWITCH, UNSCREW PIPE PLUG, PULL PLUG OUT TO STOP (APPROX. 2.5"). THIS DISCONNECTS THE GROUND.
- TO CLOSE REVERSE THE ABOVE PROCEDURE.

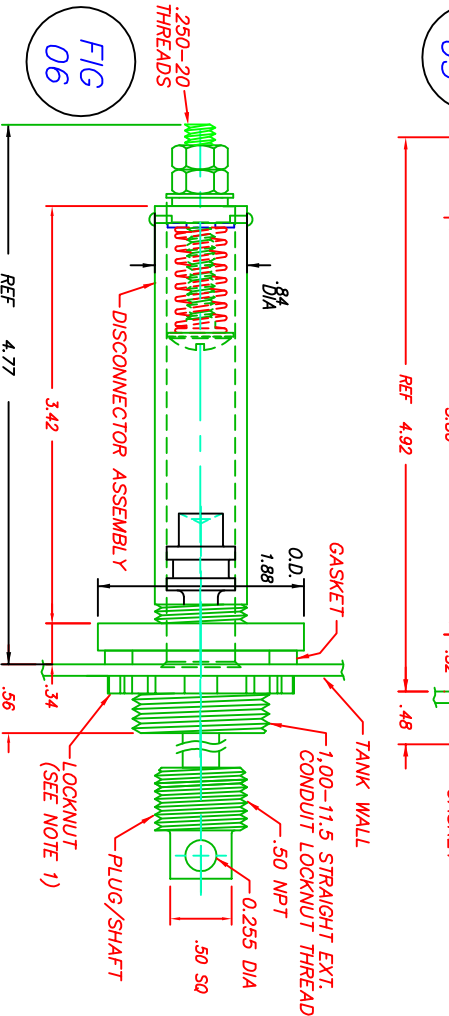
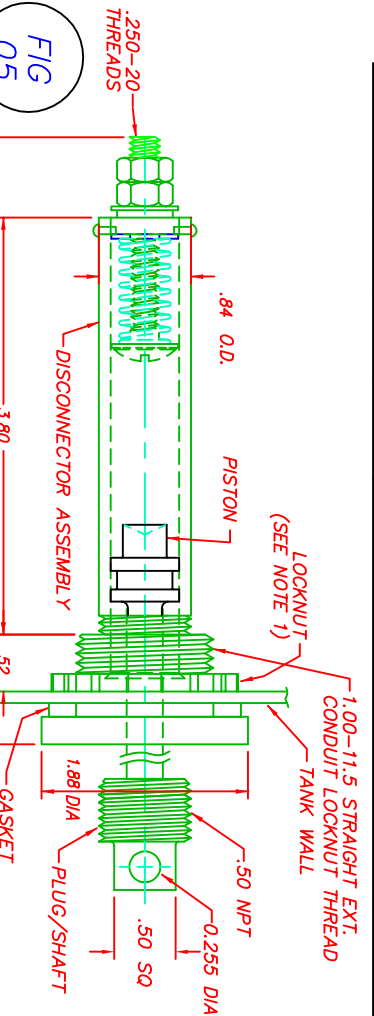
32A703026P02



3 **2B708002**  
CONT ON SH **SH 3**

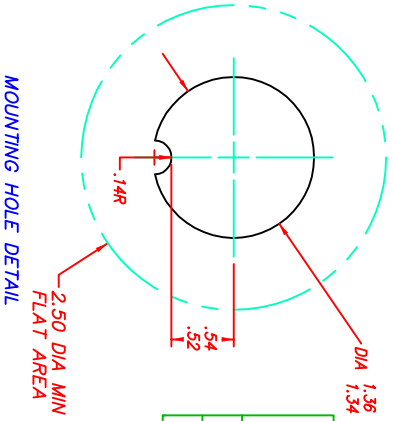
UNLESS OTHERWISE SPECIFIED, TOLERANCES ARE			TITLE
SURFACES	±	ANGLES	<b>OUTLINE (NEUTRAL DISCONNECT SWITCH)</b>
2 PL. DEC.	±	DEG	
3 PL. DEC.	±	DEG	

FIRST MADE FOR **(NEUTRAL DISCONNECT SWITCH)**



**DECAL**

**NOTICE**  
TO ASSURE FULL BILL THE PISTON MUST BE IN THE WITHDRAWN POSITION AND THE TUBE FILLED WITH OIL DURING TRANSFORMER INSULATION TESTING. AFTER TESTING APPLY LOCTITE (NOT PROVIDED) TO THE SHAFT THREADS AND SCREW INTO THE PISTON UNTIL SEATED. PUSH IN THE PLUG/SHAFT UNTIL THE PLUG ENAGES AND SCREW INTO FLANGE. NOTE THAT THE PLUG MUST HAVE TEFLON TAPE OR OTHER THREAD SEALANT.



CATALOG NUMBER	FIG	TYPE	ASM.	DECAL SUPPLIED	FASTON TERMINAL
75292A8599	06	3 PHASE	ASM.	YES	NO
75292A8699	05	3 PHASE	ASM.	YES	NO

- NOTES:**
1. TORQUE LOCK NUT TO 150 INCH POUNDS.
  2. LOCKNUT, GASKET AND PLUG ASSEMBLY SHIPPED UNASSEMBLED.
  3. LOCATE DECAL ON TANK ADJACENT TO DISCONNECTOR.

REVISIONS		APPROVAL	ECI	CONT ON SH
11	N. Adams 11/23/05 Added .0255 hole Ecn B216			
<b>3 2B708002</b>				

MADE BY: **S. STULPIN 26-MAR-01 ECM 8009**  
 REISSUED BY: **Nicholas Adams 11/23/05**  
 PRINTS TO: **SH 3**