

New Product Bulletin

Anti-Tracking Kit

ECI, ERMCO Components Inc.
1607 Industrial Road
Greeneville, TN 37745
Phone: 423-638-2302 Toll Free: 877-267-1855
Fax: 423-638-9380

ERMCO Components Incorporated (ECI) introduces the bushing Anti-Tracking Kit for use on Distribution Transformer high voltage bushings in contaminated areas.

Installation of the Anti-Tracking Kit is performed by placing the small spring around the bushing top casting between the casting and the porcelain making sure it touches both. The larger spring is then placed around the lower porcelain touching both the porcelain and the tank cover. The grommet on the loose end attached to the bottom spring should be tightly attached to the tank ground nut.

The springs used in the Anti-Tracking Kit are 302 stainless with a nickel plated brass grommet.

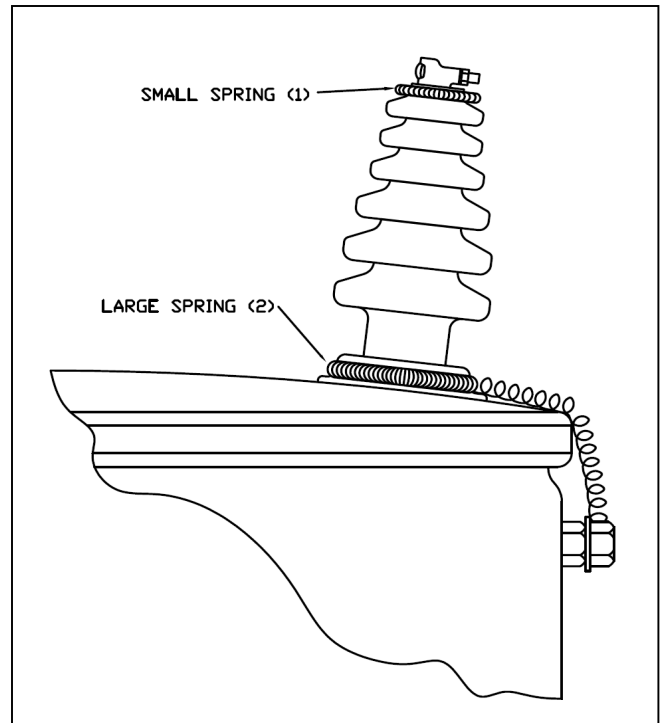


Figure 1. ECI Anti-Tracking Kit

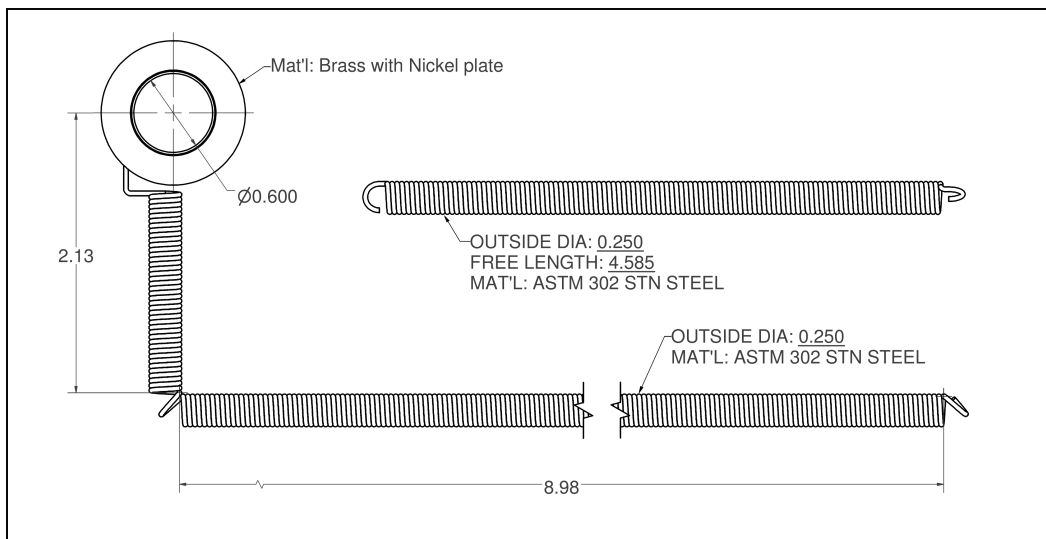


Figure 2. ECI Anti-Tracking Kit outline drawing

Please contact your ECI Representative for price and availability of the Anti-Tracking Kit part number 7590ZA0199.