

UNLESS OTHERWISE SPECIFIED

ERMCO COMPONENTS, INC.

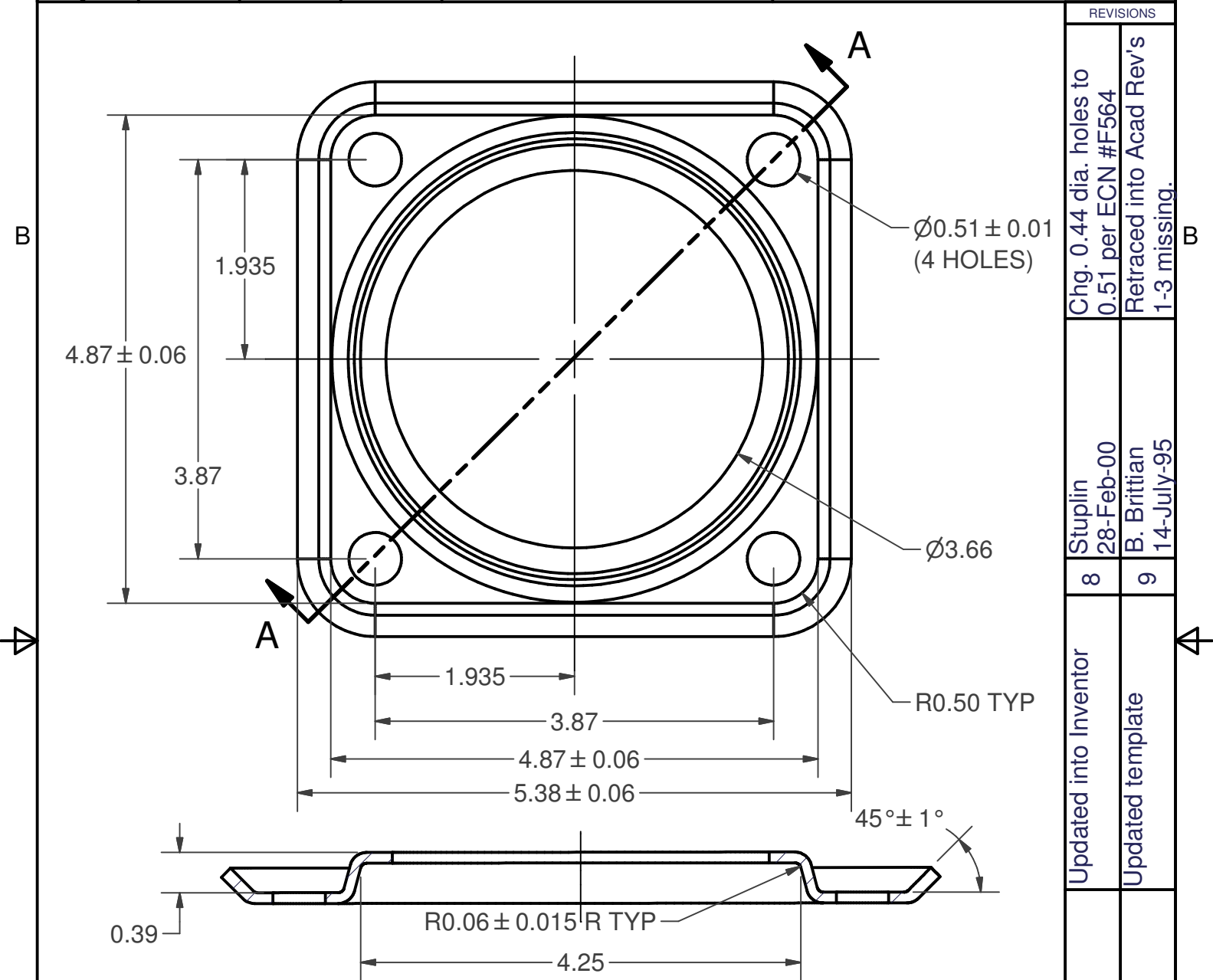
DWG NO. 2A023043

SURFACES  
✓

TOLERANCES		
2 PL DEC	3 PL DEC	ANGLES
± .010	± .005	±

THE INFORMATION CONTAINED ON THIS DOCUMENT IS PROPRIETARY TO ERMCO COMPONENTS, INC. AND MAY NOT BE USED FOR ANY OTHER PURPOSES THAN THOSE EXPRESSLY AUTHORIZED BY ECI.

SH NUMBER OF SHS.  
TITLE: **Clamp**  
FIRST MADE FOR:



**SECTION A-A**  
Gasket-DWG 32A026027

Part #	THK	Model # Clamp & Gasket	Material
01	.110	9U09AAW216	HR-LC STL Strip - Draw Quality B8A582 Except Rockwell "B" 60 Max (AISI 1008) (Zinc Chromate)
03	.100	9U09AAW262	CR-Chrom Nickle Stainless Steel Strip - Annealed - B7A65C3 (AISI Type 304)

REVISIONS

REV	DESCRIPTION	DATE	BY
8	Updated into Inventor	28-Feb-00	Stuplin
9	Updated template	14-July-95	B. Brittain
10	N. Adams	10/20/04	10
7	Stuplin	04-FEB-99	7

DRAWN BY: A. Millikan  
ISSUED BY: Nicholas Adams  
ECN: 9/8/1980  
10/20/2004

APPROVAL  
ECI

DWG NO. 2A023043  
SH NUMBER OF SHS.  
TITLE: **Clamp**