

ERMCO COMPONENTS, INC.

UNLESS OTHERWISE SPECIFIED, TOLERANCES ARE SURFACES ± 2 PL DEC ANGLES ± 3 PL DEC FIRST MADE FOR

TITLE: **OUTLINE (OVERLOAD SWITCH ASM)**

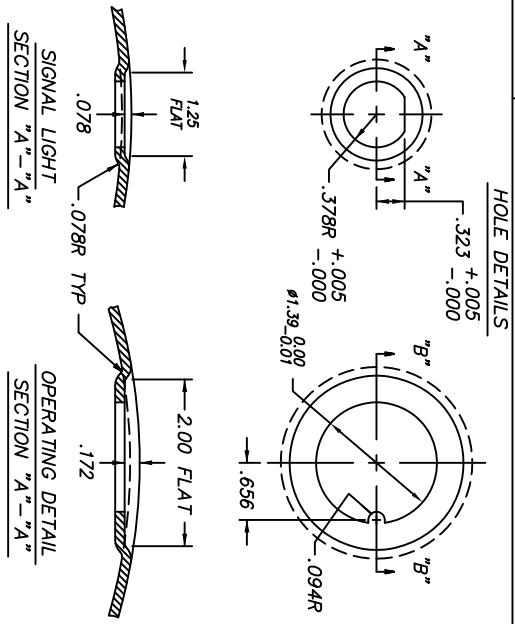
CONT ON SH: **32B928009**

SH 1

Model Number
7591ZB1099
WITH SIGNAL LIGHT

Model Number
7591ZB1399
WITHOUT SIGNAL LIGHT

- NOTES:
1. SWITCHES CLOSES AT 110°C ±4°C
 2. REPEATED MANUAL CLOSING OF THE SWITCH (I.E. BY SNAPPING THE BIMETALLIC DISC.) CAN CAUSE CALIBRATION CHANGE.
 3. IT IS RECOMMENDED THAT THE DEVICE BE MOUNTED WITH THE UPPER EDGE OF THE SUPPORT NO MORE THAN 1" BELOW THE OIL LEVEL.
 4. TERMINAL CONNECTION ARE TO BE MADE TO SCREW TERMINALS ONLY



REVISIONS	
1	G.DAVIS FEB 22,1991 ADD 7591ZB1199
2	D.KANUPP 7/27/94 ADD SHT 2
3	S.A. WILSON 26 OCT 95 ADD NOTE 3 (ECN# F55)
4	J.S.Jones 29 Apr 97 Chg Dim ECN # F169
5	STULPIN 29-JAN-99 UPDATED TEMPLATE
6	GILLAND 9/30/06 UPDATED SIGNAL LITE MOUNT HOLE DIMENSIONS
7	N. Adams 10/01/04 Updated Template Border
8	N. Adams 04/29/05 Added in new switch design ECN B189
9	N. Adams 07/31/06 Updated signal light nut ECN B286
10	N. Adams 11/30/09 Chg sh 2 to match current orientation ECN B286
11	N. Adams 12/14/09 Remove sheet 2 ECN B519

MADE BY: G.DAVIS SEPT 01,1989
ISSUED BY: Nicholas Adams 12/14/09

APPROVALS:

ECI

CONT ON SH

32B928009

SH 1

ERMCO-BIT

REV: 2

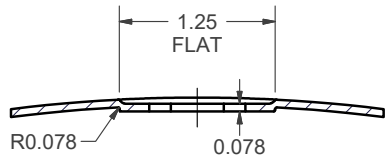
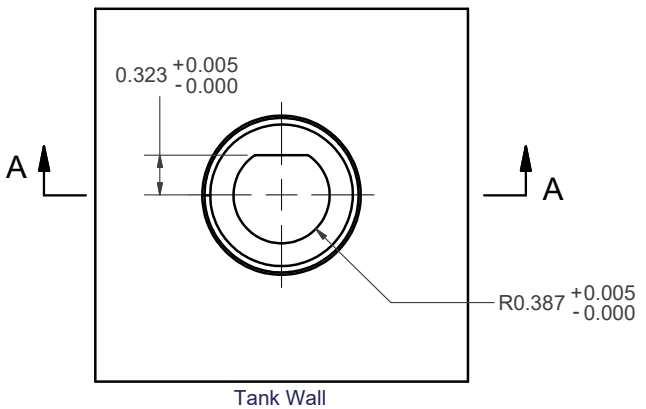
B

A4-13

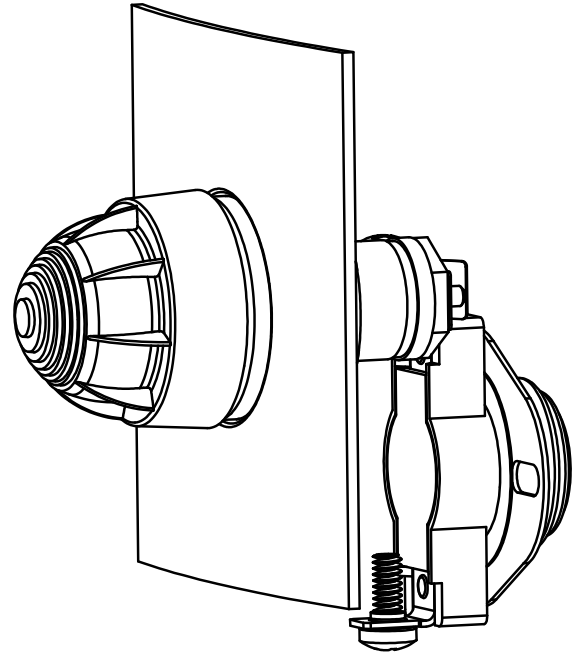
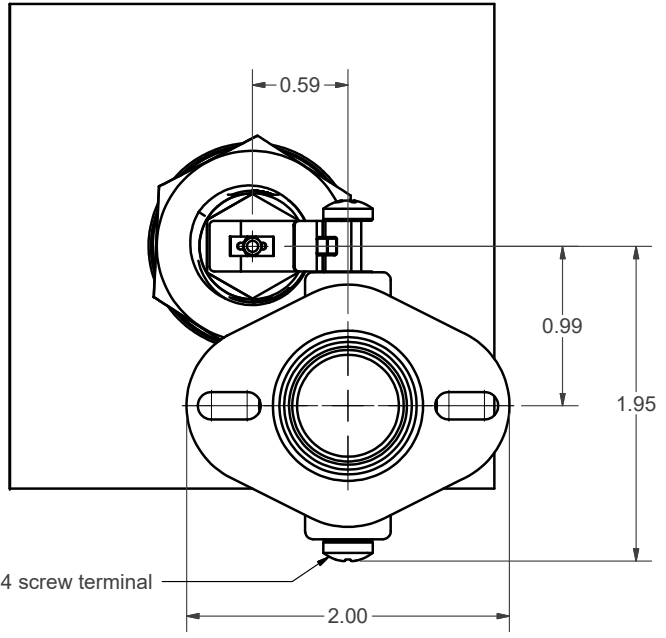
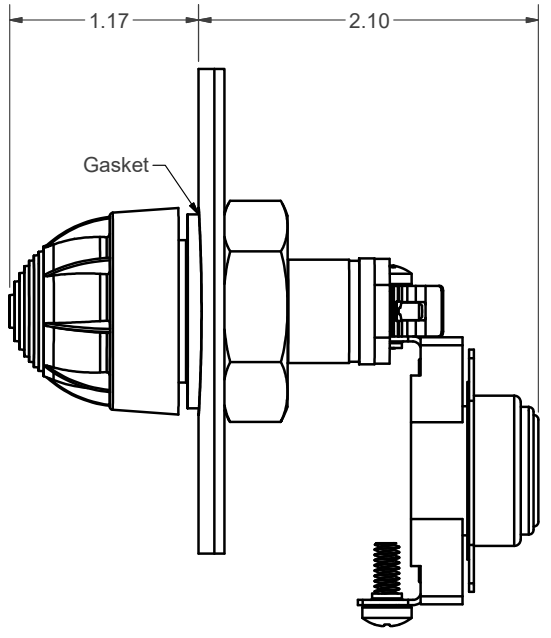
A

05/07

4 3 2 1



SECTION A-A



Model Number
7591ZB1499

AUTOMATIC
CLOSE ON RISE 230°F (110°C)
OPEN 200°F (93°C)

4 3 2 1