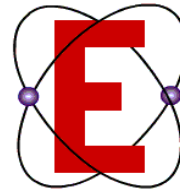


Isolation Link

The ECI Isolation Link is used in series with Bay-o-Net type expulsion fuses to provide extra protection during re-fusing operations. They are coordinated to operate at currents that exceed the one-shot rating of the expulsion fuse used in pad or vault type transformers. The isolation link will melt during transformer failure, so the opened primary circuit of a failed transformer cannot be re-energized by the line crew.



ECI, ERMCO Components Inc.
 1607 Industrial Road
 Greeneville, TN 37745
 Phone: 423-638-2302
 Toll Free: 877-267-1855
 Fax: 423-638-9380 www.ermco-eci.com

FUSE COMBINATIONS

ECI FUSE LINK CATALOG NUMBER	ECI ISOLATION LINK CATALOG NUMBER	CURVE NUMBER GES 8900
------------------------------	-----------------------------------	-----------------------

FAULT SENSING FUSE LINKS

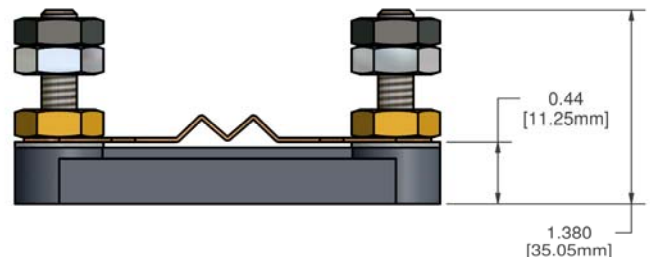
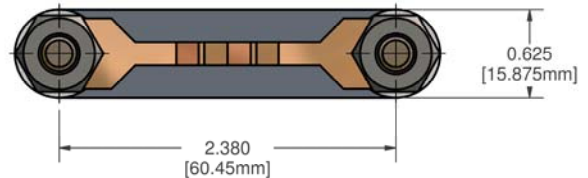
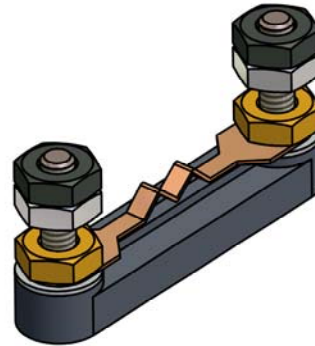
9F54MFC040	7580ZB0299	A1
9F54MFC060	7580ZB0399	A2
9F54MFC080	7580ZB0399	A2
9F54MFC100	7580ZB0499	A3
9F54MFC120	7580ZB0499	A3
9F54MFC140	7580ZB0499	A3
9F54MFC160	7580ZB0599	A5
9F54MFC170	7580ZB0599	A5

LOAD SENSING FUSE LINKS

9F54LFC030	7580ZB0299	A1
9F54LFC050	7580ZB0399	A2
9F54LFC080	7580ZB0499	A3
9F54LFC100	7580ZB0599	A5
9F54LFC120	7580ZB0699	A6
N/A	7580ZB0799	A7

DUAL ELEMENT FUSES

9F54DFC030	7580ZB0299	A1
9F54DFC040	7580ZB0299	A1
9F54DFC050	7580ZB0399	A2
9F54DFC060	7580ZB0399	A2
9F54DFC070	7580ZB0399	A2
9F54DFC090	7580ZB0499	A3
9F54DFC110	7580ZB0499	A3
9F54DFC120	7580ZB0499	A3
9F54DFC140	7580ZB0599	A5



Installation

No special tools are required. Isolation links are bolted onto the Bay-o-Net fuse assemblies in series between the primary transformer bushing and primary coil.

Ordering Information

Use the chart at left to cross-reference the Isolation Link required for the fuse element

This Product Bulletin is not intended to cover all details regarding the equipment discussed. If additional information is required please contact ERMCO Components Inc. at the address indicated above.