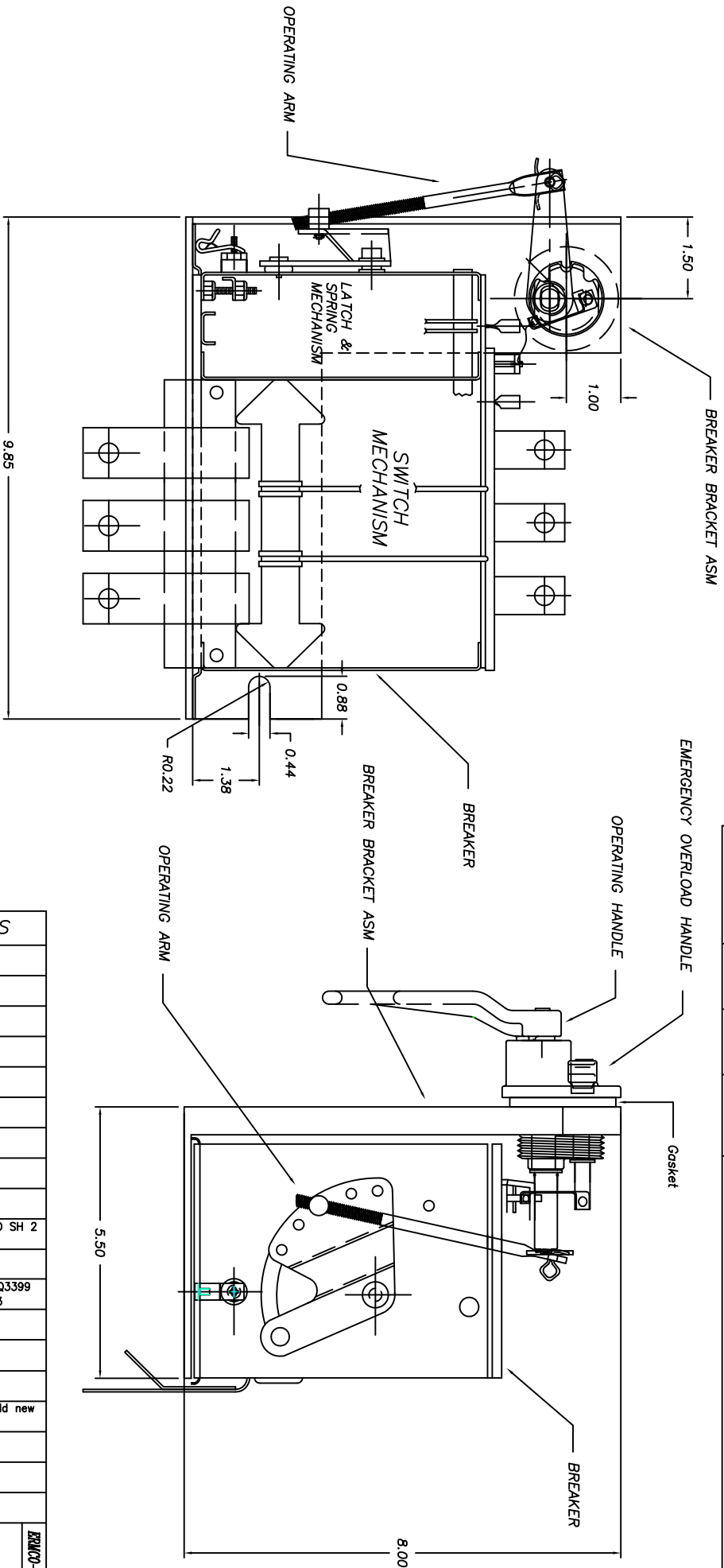


FOR MOUNTING ON FLAT SURFACE



F01

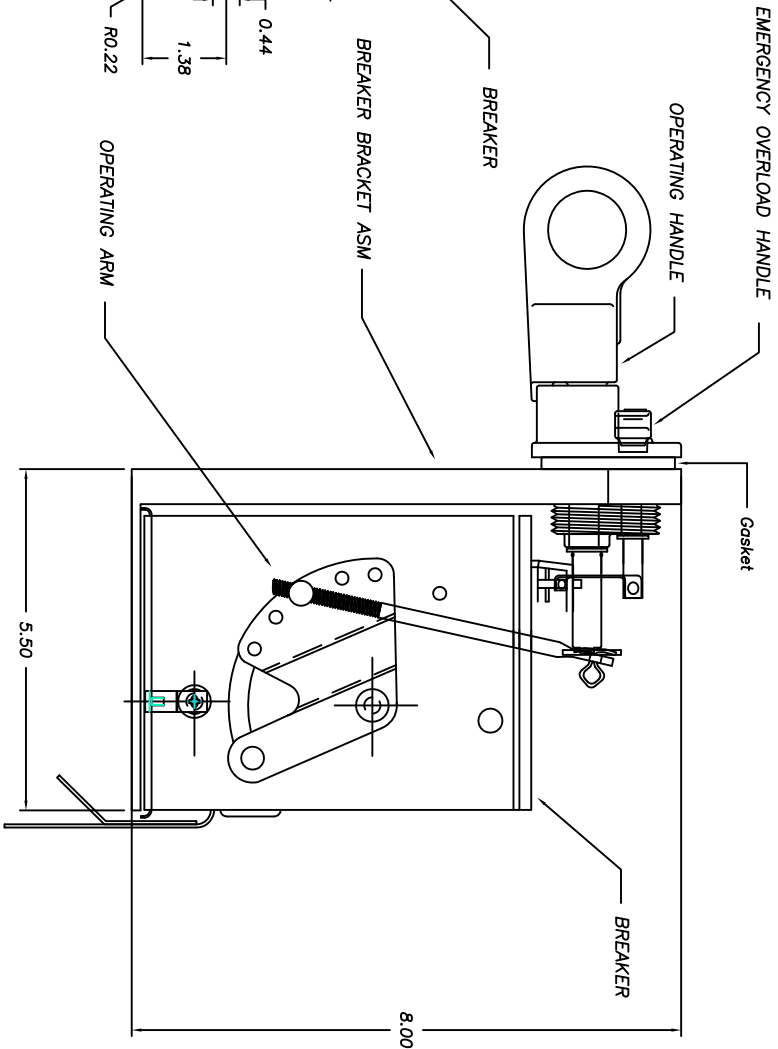
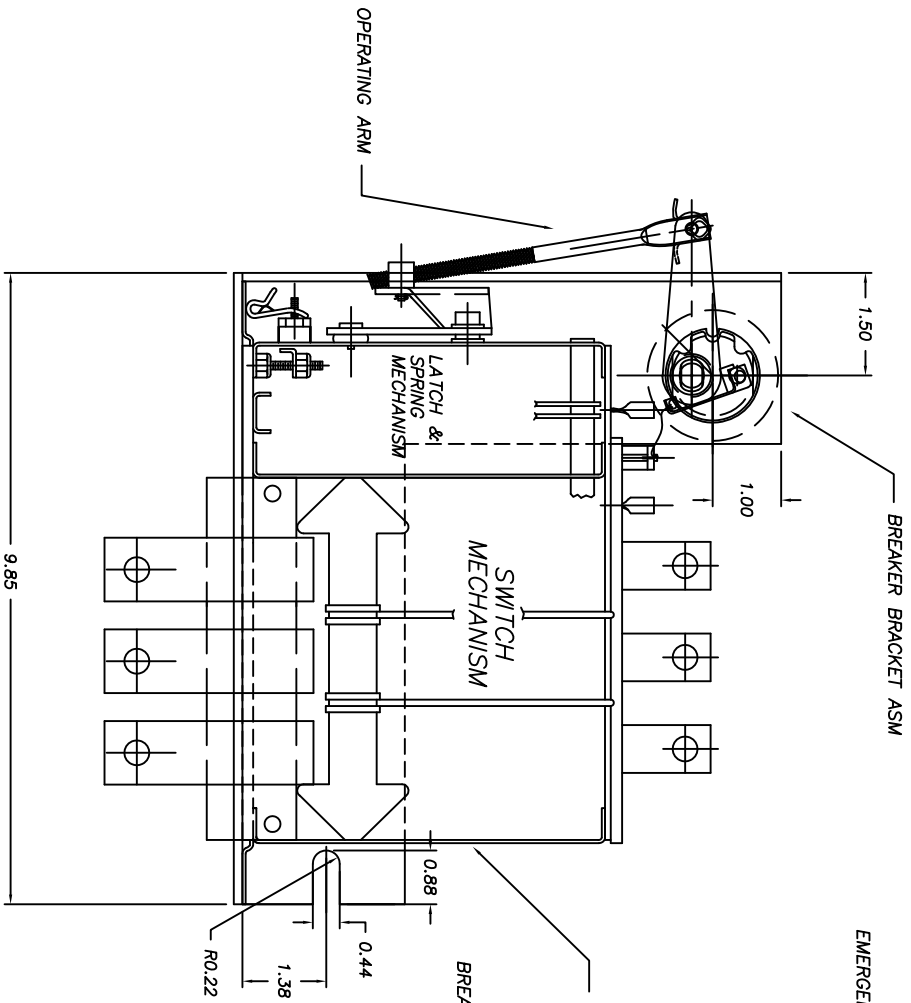
		ERMCO COMPONENTS, INC.	
UNLESS OTHERWISE SPECIFIED, TOLERANCES ARE:			
SURFACES	±	ANGLES	± DEG
2 PL. DEC	±	3 PL. DEC	± DEG
TITLE OUTLINE (BREAKER W/ BRACKET)		CONT ON SH 2 SH 1	
FIRST MADE FOR		T13, T14 & T15 BKR W/BRACKET	
32B138000		32B138000	

REVISIONS	
1	K. Carroll 06-Aug-98 Added dims per ECN #F395
2	K. Carroll 17-Nov-98 Chg Del. of Bracket
3	STULPIN 04-FEB-99 UPDATED TEMPLATE
4	GILLAND 18-APRIL-02 ADD GRD CLIP ECN #F810
5	GILLAND 15-OCT-02 UPDATE TEMPLATE ADD SH 2
6	N. Adams 8/07/06 Remove light from ZQ3399 on Sh 2 ECN F1003
14	N. Adams 9/29/06 Changed to 1Phase ECN B296
15	N. Adams 03/21/17 Add sheet 2 & 4. Add new Cat.#'s ECN B1025

MADE BY: K. Carroll 30-March-98 ECN#537
 ISSUED BY: Nicholas Adams 3/21/17

APPROVALS: ECI
 32B138000
 CONT ON SH 2
 SH 1

FOR MOUNTING ON FLAT SURFACE



UNLESS OTHERWISE SPECIFIED, TOLERANCES ARE:
 SURFACES ± 0.005
 ANGLES ± 0.005
 DEGS ± 0.005

TITLE
OUTLINE (BREAKER W/ BRACKET)
 FIRST MADE FOR
 T13, T14 & T15 BKR W/BRACKET

32B138000
 SH 2
 CONT ON SH 3

F02

03/17

A3-6A

REVISIONS	
1	K. Carroll 06-Aug-98 Added dims per ECN #F395
2	K. Carroll 17-Nov-98 Chg Del. of Bracket
3	STULPIN 04-FEB-99 UPDATED TEMPLATE
4	GILLAND 18-APRIL-02 ADD GRD CLIP ECN #F810
5	GILLAND 15-OCT-02 UPDATE TEMPLATE ADD SH 2
6	N. Adams 8/07/06 Remove light from ZQ3399 on Sh 2 ECN F1003
14	N. Adams 9/29/06 Changed to 1Phase ECN B296
15	N. Adams 03/21/17 Add sheet 2 & 4. Add new Cat.#'s ECN B1025

MADE BY: K. Carroll 30-March-98 ECN#537
 ISSUED BY: Nicholas Adams 3/21/17
 APPROVALS
 ECI
 32B138000
 SH 2
 PRINTS TO

ERMCO-BTL

OUTLINE: BREAKER ON A BRACKET ASSEMBLY

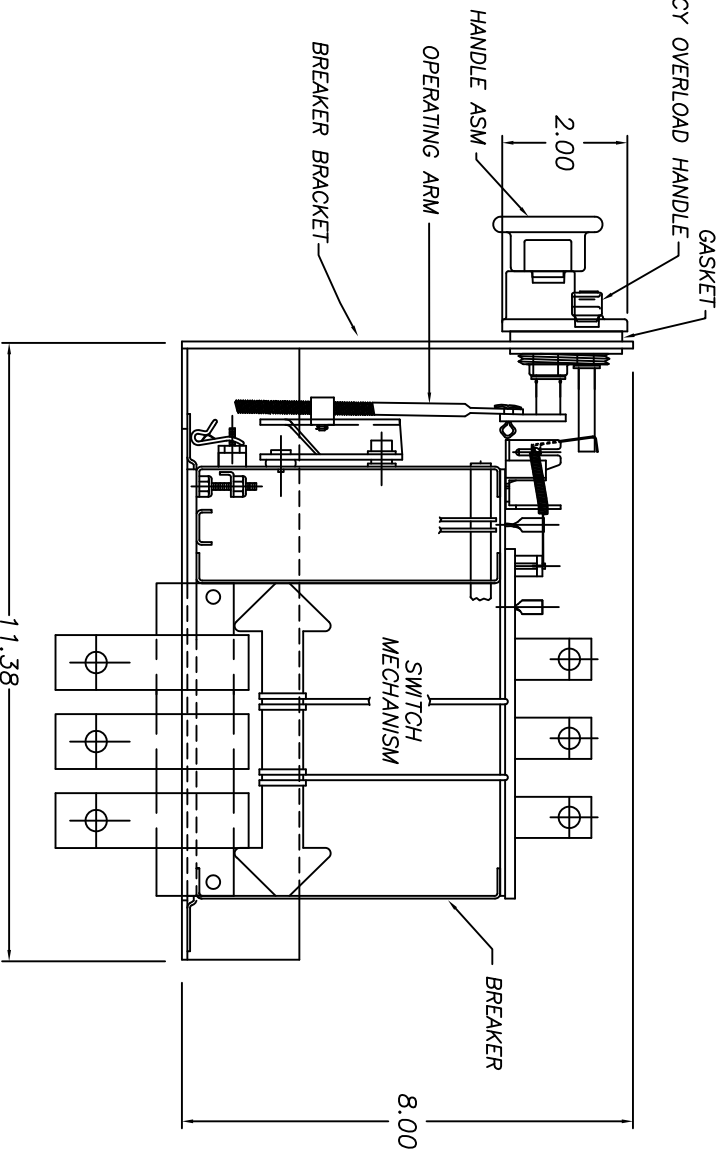
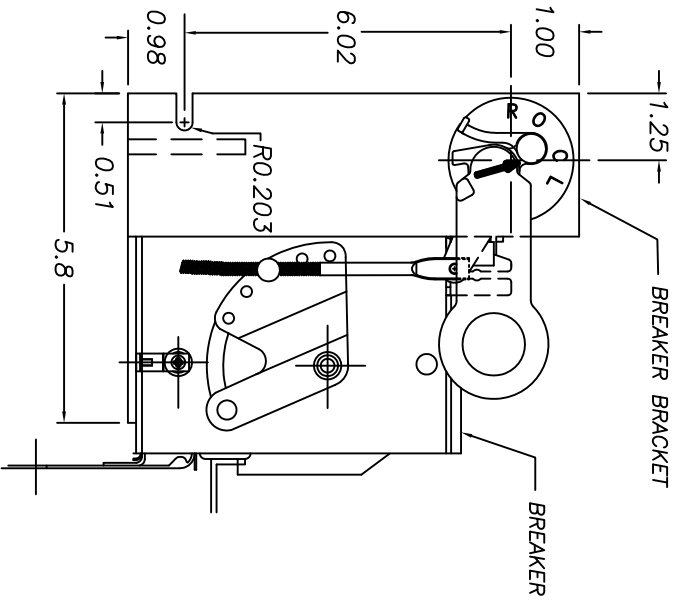
CATALOG NO.	# PHASE	FIRST MADE FOR		LIGHT	AMP RANGE	BREAKER	HANDLE TYPE
		TRIP TEMP	T13, T14 & 15 BKR W/BACKET (FLAT SURFACE)				
7561ZB0199	3	110	YES	172-243	2501K066G32	E-L POLE	
7561ZB0299	3	110	YES	244-445	2501K066G33	E-L POLE	
7561ZB0499	3	110	YES	172-243	2501K066G22	E-PAD	
7561ZB0599	3	110	YES	244-445	2501K066G23	E-PAD	
7561ZB0699	3	120	YES	244-445	2501K066G23	E-PAD	
7561ZB0799	3	110	YES	88-115	2501K066G30	E-L POLE	
7561ZB0899	3	110	YES	116-171	2501K066G31	E-L POLE	
7561ZB1399	3	130	NO	49-87	2501K066G59	E-L POLE	
7561ZB1499	3	165	YES	244-386	2501K066G23	E-PAD	
7561ZB1599	3	110	YES	49-87	2501K066G34	E-L POLE	
7561ZB1699	3	120	YES	49-87	2501K066G35	E-L POLE	
7561ZB1799	3	160	YES	116-171	2501K066G36	E-PAD	
7561ZB1899	3	160	YES	172-243	2501K066G22	E-PAD	
7561ZB1999	3	130	YES	49-87	2501K066G34	E-L POLE	
7561ZB2099	3	130	YES	88-115	2501K066G30	E-L POLE	
7561ZB2199	3	110	YES	49-87	2501K066G34	E-PAD	
7561ZB2299	3	120	YES	88-115	2501K066G30	E-PAD	
7561ZB2399	3	120	YES	244-445	2501K066G33	E-PAD	
7561ZB2499	3	160	YES	49-87	2501K066G34	E-L POLE	
7561ZB2799	3	110	YES	116-171	2501K066G36	E-PAD	
7561ZB2899	3	110	NO	49-87	2501K066G35	E-PAD	
7561ZB2999	3	110	YES	49-87	2501K066G34	E-L POLE	
7561ZB3099	3	120	YES	172-243	2501K066G22	E-L POLE	
7561ZB3199	3	120	YES	244-445	2501K066G33	E-L POLE	
7561ZB3499	3	110	NO	116-171	2501K066G41	E-L POLE	
7561ZB3699	3	130	YES	116-171	2501K066G31	E-L POLE	
7561ZB3799	3	130	YES	172-243	2501K066G32	E-L POLE	
7561ZB3899	3	130	YES	244-445	2501K066G33	E-L POLE	
7561ZB4099	3	110	YES	88-115	2501K066G30	E-L POLE	
7561ZB4199	3	110	YES	172-243	2501K066G32	E-PAD	
7561ZB4299	3	172	YES	387-445	2501K066G23	E-L POLE	
7561ZB4599	3	130	NO	244-445	2501K066G51	E-PAD	
7561ZB4699	3	130	NO	244-445	2501K066G23	E-PAD	
7561ZB4799	3	172	NO	387-446	2501K066G23	E-PAD	
7561ZB4899	3	160	NO	88-115	2501K066G52	E-PAD	
7561ZB4999	3	160	NO	48-87	2501K066G53	E-PAD	
7561ZB5099	3	160	NO	116-171	2501K066G54	E-PAD	
7561ZB5199	3	160	NO	172-243	2501K066G55	E-PAD	
7561ZB5299	3	165	NO	244-386	2501K066G51	E-PAD	
7561ZB5399	3	172	NO	387-445	2501K066G51	E-PAD	
7561ZB5499	3	110	YES	88-115	2501K066G50	E-L POLE	
7561ZB5799	3	140	YES	49-97	2501K066G34	E-PAD	
7561ZB5899	3	140	YES	116-171	2501K066G56	E-PAD	
7561ZB6099	3	160	YES	116-171	2501K066G31	E-S POLE	
7561ZB6199	3	130	YES	49-87	2501K066G34	E-PAD	
7561ZB6299	3	130	YES	116-171	2501K066G57	E-PAD	
7561ZB6399	3	160	YES	116-171	2501K066G31	E-L POLE	
7561ZB6599	3	172	YES	387-445	2501K066G23	E-PAD	
7561ZB6999	3	140	YES	116-171	2501K066G56	E-PAD	
7561ZB7299	3	172	YES	387-445	2501K066G23	E-PAD	
7561ZB7399	3	120	YES	172-243	2501K066G32	E-PAD	
7561ZB7499	3	120	YES	49-87	2501K066G34	E-PAD	
7561ZB7599	3	120	YES	116-171	2501K066G56	E-PAD	
7561ZB7799	3	130	YES	244-445	2501K066G33	E-L POLE	
7561ZB7999	3	130	YES	244-445	2501K066G33	E-PAD	

REVISION

13) UPDATE MATRIX	14) Removed 1Phase to other sheet	15) ADD NEW CAT #'s AND ADD SHEET 2 & 4	11) Resize words at the top	12) UPDATE MATRIX
-------------------	-----------------------------------	---	-----------------------------	-------------------

MADE BY:	R. GILLAND 15-OCT-02	APPROVAL	ECI	DRAWING NO.
ISSUED BY:	Nicholas Adams 3/21/2017			3 2B138000

FOR MOUNTING ON CURVED SURFACE



UNLESS OTHERWISE SPECIFIED		TERMO COMPONENTS, INC		32B1 38001	
SURFACES		TOLERANCES		TITLE	
✓	2 PL DEC ±	3 PL DEC ±	ANGLES ±	SH 1 OUTLINE (BREAKER W/BRACKET)	
FIRST MADE FOR QPO T13, T14 & T15 BKR W/BRACKET (ROUND TANK)					

F01

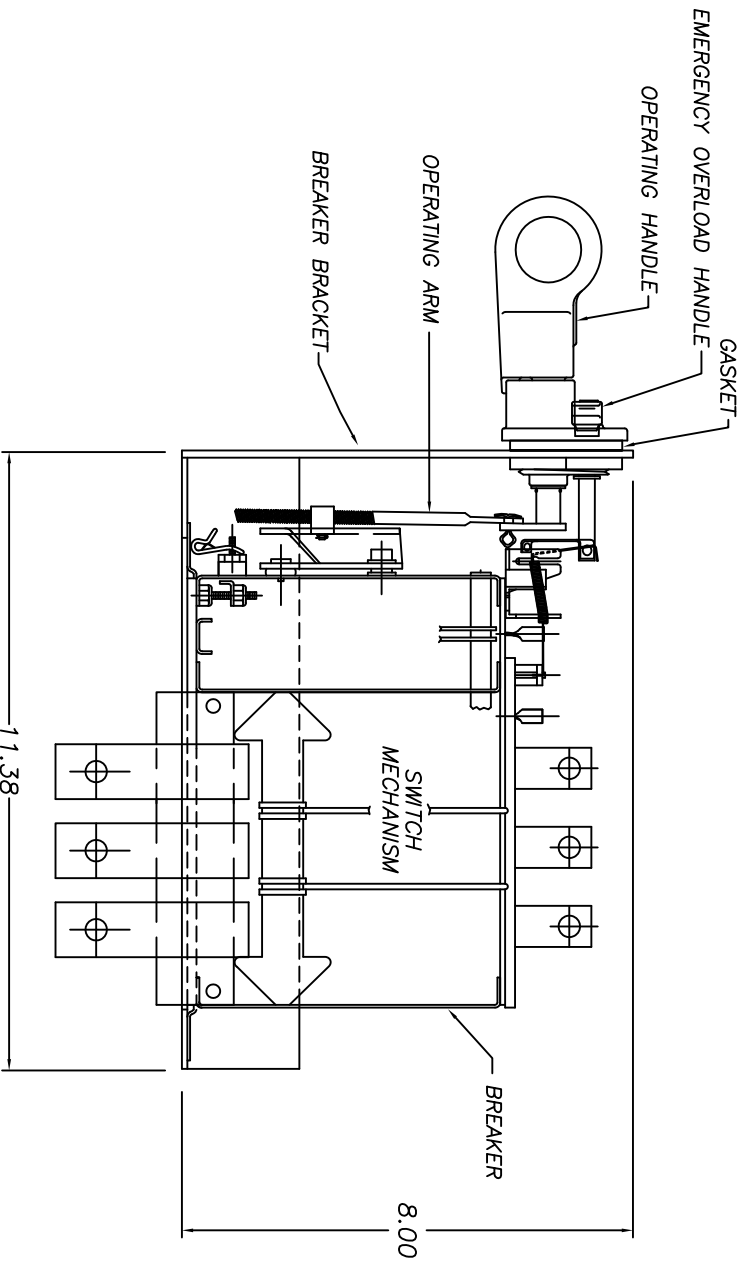
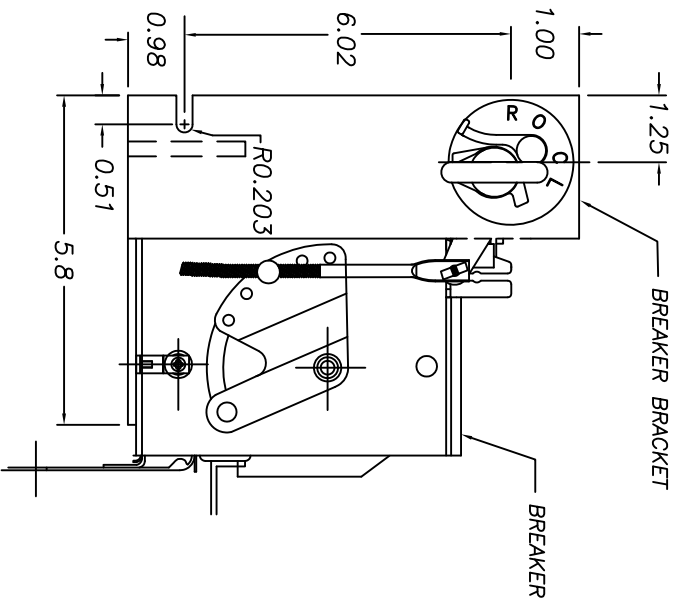
The information contained on this document is proprietary to Ermco Components Inc. and may not be used for any other purpose than those expressly authorized by ECI.

REVISIONS		APPROVAL	ECI	CONT ON SH 2	PRINTS TO
4	GILLAND ECN F843 1-AUG-02 UPDATE TEMPLATE				
5	GILLAND 15-OCT-02 UPDATE TEMPLATE ADD SH 2				
10	N. Adams 8/07/06 Remove light from ZQ3399 on Sh 2 ECN F1003	N. Adams 01/28/10 Update dim. on sh. 1 ECN B525 Added new catalog #'s ECN B1025			
11	N. Adams 9/29/06 Changed to 1Phase ECN B296				
12	N. Adams 8/20/09 Add 7561ZQ2499, 4599, 4799 ECN B491				
14	N. Adams 03/21/17				
MADE BY:		ECI -BTL			
ISSUED BY: Nicholas Adams 03/21/17					

A3-7

03/17

FOR MOUNTING ON CURVED SURFACE



UNLESS OTHERWISE SPECIFIED		TERMO COMPONENTS, INC.		32B138001	
SURFACES		TOLERANCES		SH 2	
✓	2 PL. DEC	±	3 PL. DEC	±	ANGLES
				±	DEG
TITLE		CONT. ON SH. 3		SH 2	
OUTLINE (BREAKER W/BRACKET)		FIRST MADE FOR QPO		T13, T14 & T15 BKR W/BRACKET (ROUND TANK)	

REVISIONS	
4	GILLAND ECN F843 1-AUG-02 UPDATE TEMPLATE
5	GILLAND 15-OCT-02 UPDATE TEMPLATE ADD SH 2
10	N. Adams 8/07/06 Remove light from ZQ3399 on Sh 2 ECN F1003
11	N. Adams 9/29/06 Changed to 1Phase ECN B296
12	N. Adams 8/20/09 Add 7561ZQ2499, 4599, 4799 ECN B491
13	N. Adams 01/28/10 Update dim. on sh. 1 ECN B525
14	N. Adams 03/21/17 Added new catalog #'s and sheet 2 ECN B1025

MADE BY:	S. STULPIN 21-JUL-00	APPROVAL	
ISSUED BY:	Nicholas Adams 03/21/17	ECI	
32B138001		CONT. ON SH. 3	
SH 2		ECI-BTL	

FO2

03/17

A3-7A

The information contained on this document is proprietary to Ermco Components Inc. and may not be used for any other purpose than those expressly authorized by ECI.

OUTLINE: BREAKER ON A BRACKET ASSEMBLY

T15 BKR W/BRACKET (CURVED SURFACE)

CATALOG NO.	# PHASE	TRIP TEMP	Light Bulb Assembly	AMP RANGE	BREAKER	HANDLE TYPE
7561ZQ0999	3	160°	YES	116-171	2501K066G36	E-L POLE
7561ZQ1099	3	160°	YES	49-87	2501K066G35	E-L POLE
7561ZQ1199	3	160°	YES	116-171	25.1K066G36	E-L POLE
7561ZQ1299	3	160°	YES	172-243	2501K066G22	E-L POLE
7561ZQ1399	3	165°	NO	244-386	2501K066G23	E-L POLE
7561ZQ1499	3	172°	YES	387-445	2501K066G23	E-L POLE
7561ZQ1599	3	110°	NO	88-115	2501K066G38	E-L POLE
7561ZQ1699	3	110°	NO	172-243	2501K066G39	E-L POLE
7561ZQ1899	3	110°	NO	244-445	2501K066G40	E-L POLE
7561ZQ1999	3	120°	NO	244-445	2501K066G40	E-L POLE
7561ZQ2099	3	130°	NO	88-115	2501K066G38	E-L POLE
7561ZQ2199	3	110°	YES	49-87	2501K066G35	E-L POLE
7561ZQ2399	3	110°	NO	116-171	2501K066G41	E-L POLE
7561ZQ2499	3	130°	YES	88-115	2501K066G50	E-L POLE
7561ZQ2599	3	110°	YES	88-115	2501K066G50	E-L POLE
7561ZQ2699	3	110°	YES	116-171	2501K066G31	E-L POLE
7561ZQ2799	3	110°	YES	172-243	2501K066G22	E-L POLE
7561ZQ2899	3	110°	YES	244-445	2501K066G23	E-PAD
7561ZQ2999	3	110°	YES	172-243	2501K066G32	E-L POLE
7561ZQ3199	3	110°	NO	244-445	2501K066G40	E-L POLE
7561ZQ3499	3	130°	NO	49-87	2501K066G53	E-PAD
7561ZQ3599	3	130°	NO	88-115	2501K066G52	E-PAD
7561ZQ3699	3	130°	NO	116-171	2501K066G54	E-PAD
7561ZQ3799	3	130°	NO	172-243	2501K066G55	E-PAD
7561ZQ3899	3	130°	NO	244-445	2501K066G51	E-PAD
7561ZQ3999	3	130°	NO	244-445	2501K066G51	E-PAD
7561ZQ4199	3	110°	NO	244-445	2501K066G33	E-L POLE
7561ZQ4299	3	110°	NO	244-445	2501K066G40	E-L POLE
7561ZQ4399	3	110°	YES	244-445	2501K066G33	E-L POLE
7561ZQ4599	3	110°	YES	49-87	2501K066G35	E-PAD
7561ZQ4799	3	130°	NO	244-445	2501K066G33	E-L POLE
7561ZQ5199M	3	165°	YES	244-386	2501K066G23	E-L POLE
7561ZQ5499	3	110°	NO	116-171	2501K066G31	E-L POLE
7561ZQ5599	3	130°	YES	244-445	2501K066G33	E-L POLE

REVISION

- 10) 08/07/06
- 11) Removed
- 12) ADD
- 13) Update
- 14) ADD NEW CAT.
- 7) ADD ZQ4199
- 8) ADD ZQ4399
- 9) Resize words at the top
- Remove light from ZQ3399
- 1Phase to
- ZQ2499, 4599 & 4799
- sh.01 dim. ECN B525
- #s (See ECN B1025)
- & ZQ4299

MADE BY:	R. GILLAND 15-OCT-02	APPROVAL	ECI	DRAWING NO.
ISSUED BY:	Nicholas Adams 3/21/17			3 2B138001